

SAFETY INSTRUCTION

for



Products

SAFETY STANDARDS ACCORDING TO EN 60335-1/EN 60335-2-15

ENCLOSURE

- **Damaged or broken parts of the enclosure, given adequate protection against accidental contact with live parts, must be replaced.**
- **Damaged plugs and/or supply cords must be replaced.**

INTERNAL WIRING

The maximum temperature of the PVC wiring is 90°C
The maximum temperature of the silicon wiring is 180°C

- **Keep internal PVC wiring away from the hot surface of the heating elements**
- **Wiring of the hotplate elements must be fixed into the grooves of the hotplate support.**

CREEPAGE DISTANCE AND CLEARANCES

- **Creepage distance and clearances between live parts and metal parts shall be not less than 3 mm**

EARTH CONNECTION

Accessible metal parts, which may become live in the event of an insulation fault, shall be permanently and reliably connected to an earthing terminal.

Check the earth connection after making repairs

OPERATION TEST UNDER NORMAL CONDITIONS

Appliances shall operate in a correct way under normal conditions.

Check the correct operation of switches and heating elements by measuring the resistance of the appliances, placing the switches in all possible positions.

THERMO-FUSE

A THERMO-FUSE IS A SAFETY DEVICE TO PREVENT OVERHEATING OR FIRE.

Appliances may never been operated without these thermo-fuses

- **Thermo-fuse must always be replaced by a original spare part.**
- **Make sure the thermo-fuse is placed in a correct way.**

TEST EQUIPMENT

It is recommended to check the appliance for electrical safety with a suitable appliance tester.

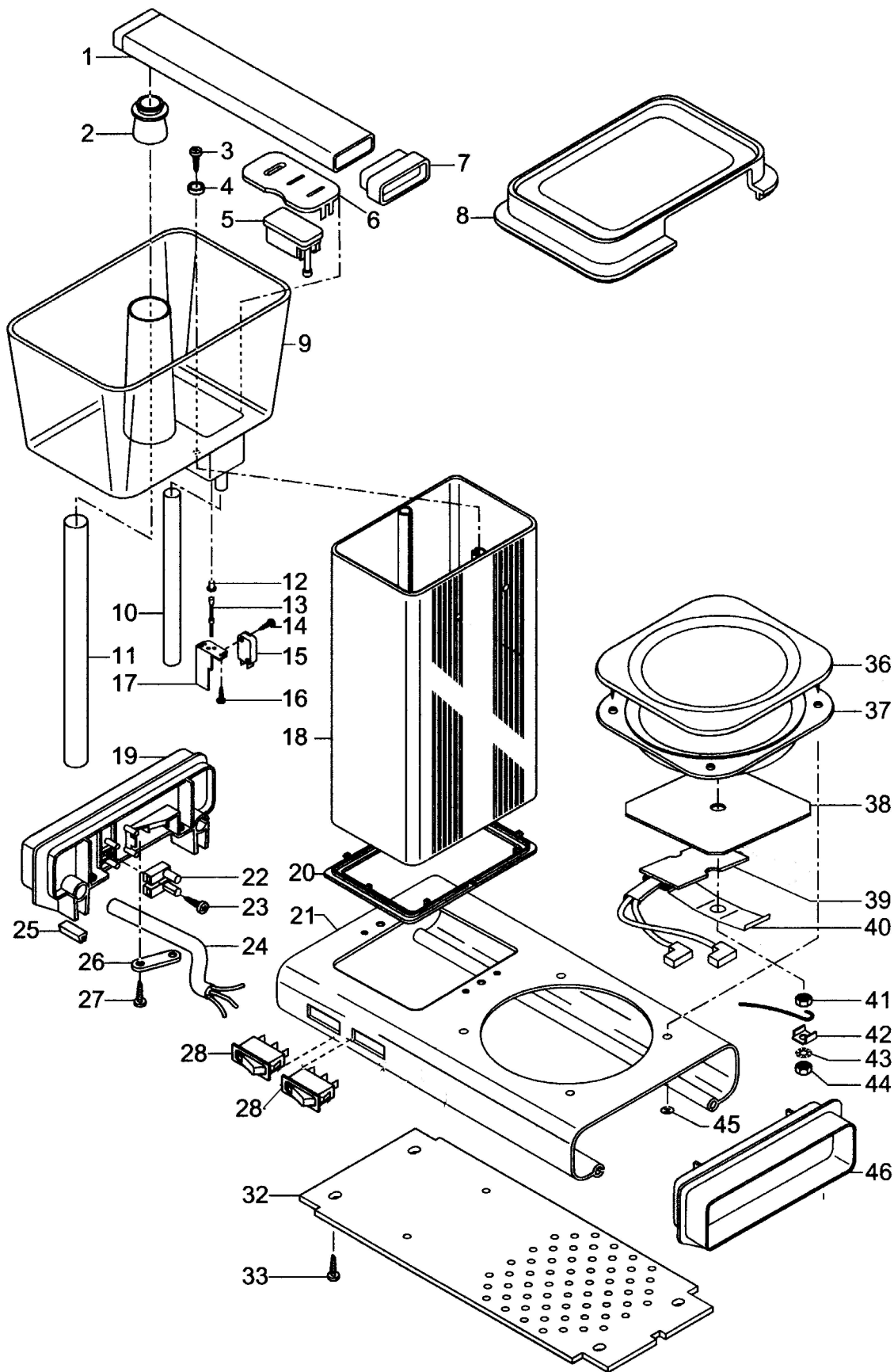
- **Earth connection less than 0,3 ohm**
- **Insulation resistance not less than 0,5 Mohm**
- **Leakage current shall be less than 7 mA.**




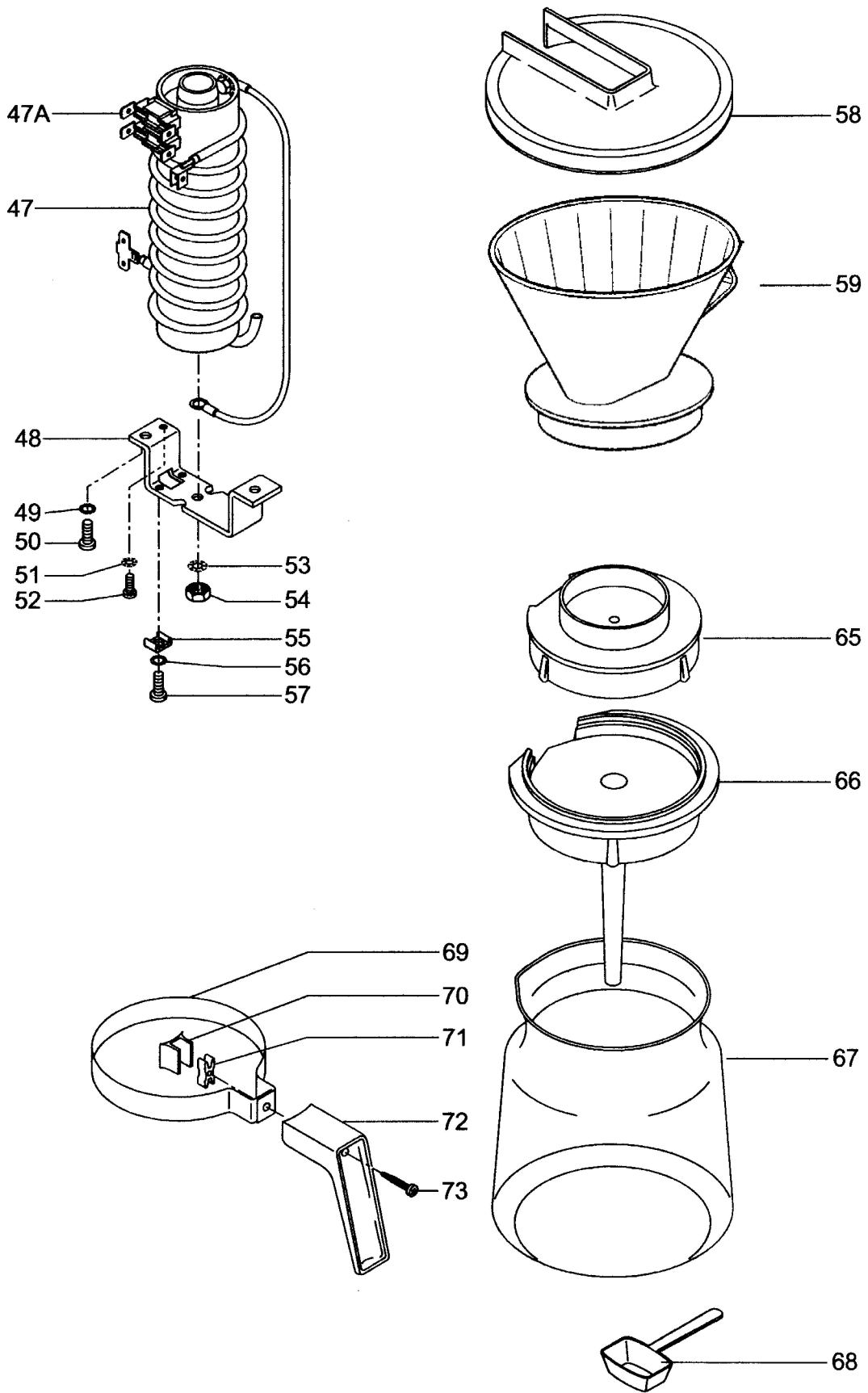
Partlist - exploded view,


“Domestic coffeemakers”

April 2007



 <p>TECHNI VORM AMERONGEN-HOLLAND</p>	benaming	K741	
	type	Moccamaster	
	datum	augustus 2002	
	getekend	Insight illustr.	controle
	formaat	A4	bladnr. 1
	tek.nr.		



 TECHNI VORM AMERONGEN-HOLLAND	benaming	K 741	
	type	Moccamaster	
	datum	augustus 2002	
	getekend	Insight illustr.	controle
	formaat	A4	bladnr. 2
	tek.nr.		



the coffemaker makers.

AMERONGEN - HOLLAND

SPARES LIST FOR K-741

Item.	Description.	Code.
001	Outletpipe complete (incl. 007)	53021
↳	Outletpipe complete (incl. 007), Norway	53055
002	Rubber adapter	60015
003	Screw 4,2x16, stainless steel, torx	70032
004	Rubber sealing washer	61170
005	Float	12235
006	Floathood	54130
007	Rubber closing pad	63011
008	Lid coldwatercontainer, brown	13000
↳	Lid coldwatercontainer, black	13012
↳	Lid coldwatercontainer, white	13015
009	Coldwatercontainer, 10 cups	11010
010	Rubber tube, 155mm	60110
011	Glass tube, 133,5mm	31080
012	Tightening socket	12220
013	Switch pawl	54155
014	Screw M3x16	73000
015	Microswitch 11 Amp	43341
016	Screw 2,9x6,5	73050
017	Fixingplate microswitch	54151
018	Housing, gold, 150mm	58620
↳	Housing, white	58921
↳	Housing, chromium	58622
019	Handle left, brown with feet (item 25)	11701
↳	Handle left, white with feet (item 25)	11711
↳	Handle left, black with feet (item 25)	11716
020	Sealing ring, brown	11400
↳	Sealing ring, black	11405
↳	Sealing ring, white	11406
021	Base, Chromium	55203
↳	Base, gold	55206
↳	Base, white	55223
022	Block terminal	46060
023	Screw 2,9x19	70065
024	Supply cord, 3x1,5 ² , brown	44343
↳	Supply cord, 3x1,5 ² , white	44344
↳	Supply cord, 3x1,5 ² , black	44345
025	Rubber feet	61150
026	Cord anchorage	78175
027	Screw 3,5x13	70055
028	Switch illuminated, black, 10amp	43035
↳	Switch illuminated, white, 10amp	43036
↳	Switch illuminated, brown, 10amp	43037
032	Bottom plate	11345
033	Plastite screw, M3x8	71060
035	Screw 4,2x16, torx	70032
036	Hotplate, chromium	52060
↳	Hotplate, brown	52062
↳	Hotplate, white	52063
↳	Hotplate, black	52064
037	Hotplate support, black	11415
↳	Hotplate support, brown	11410
038	Aluminium disc	55410
039	Ptc hotplate element unit, HP-07	41235
040	Tightening spring hotplate element	56976
041	Nut, M6	72035
042	Earth clip, M6	78151



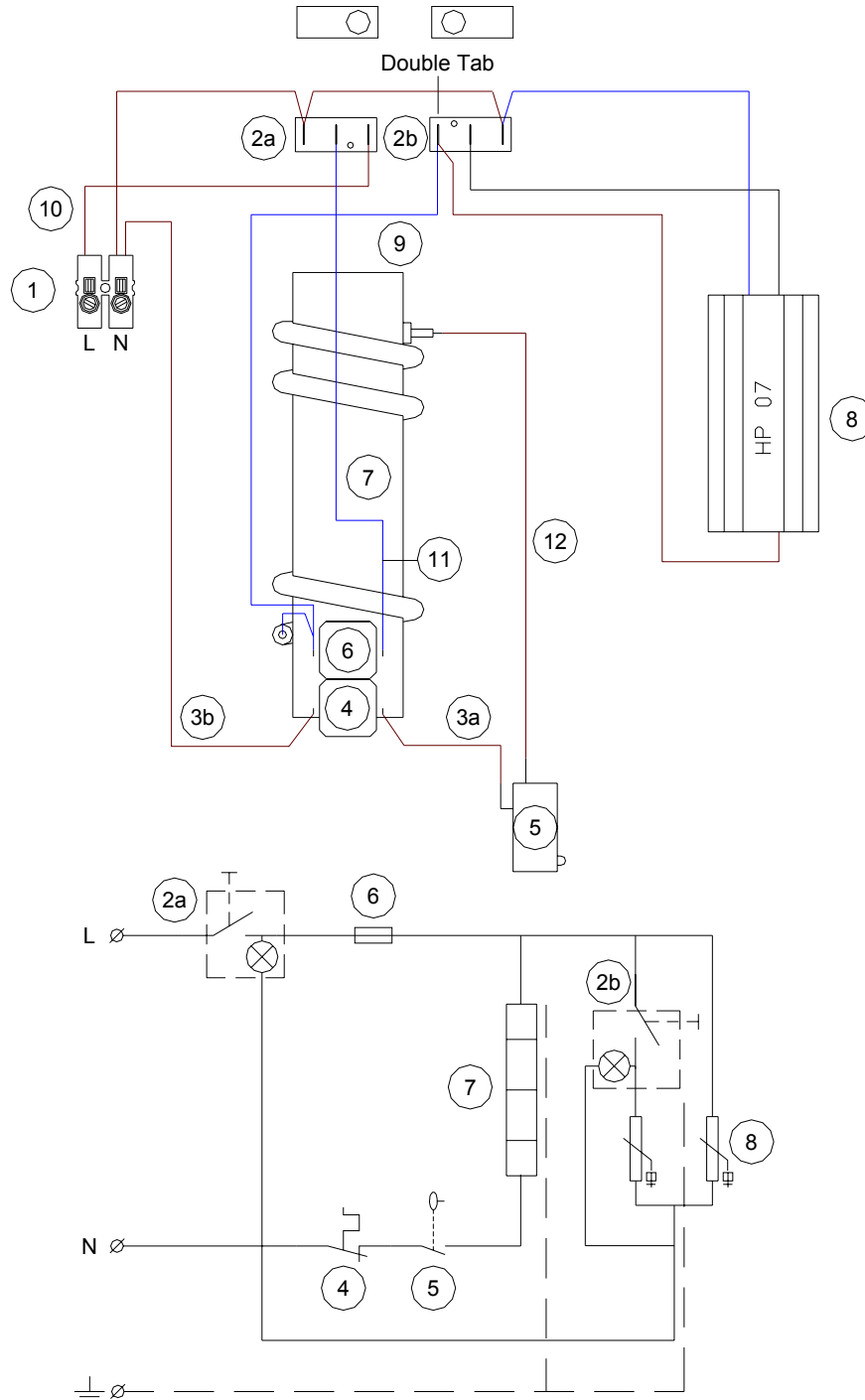
the coffemaker makers.

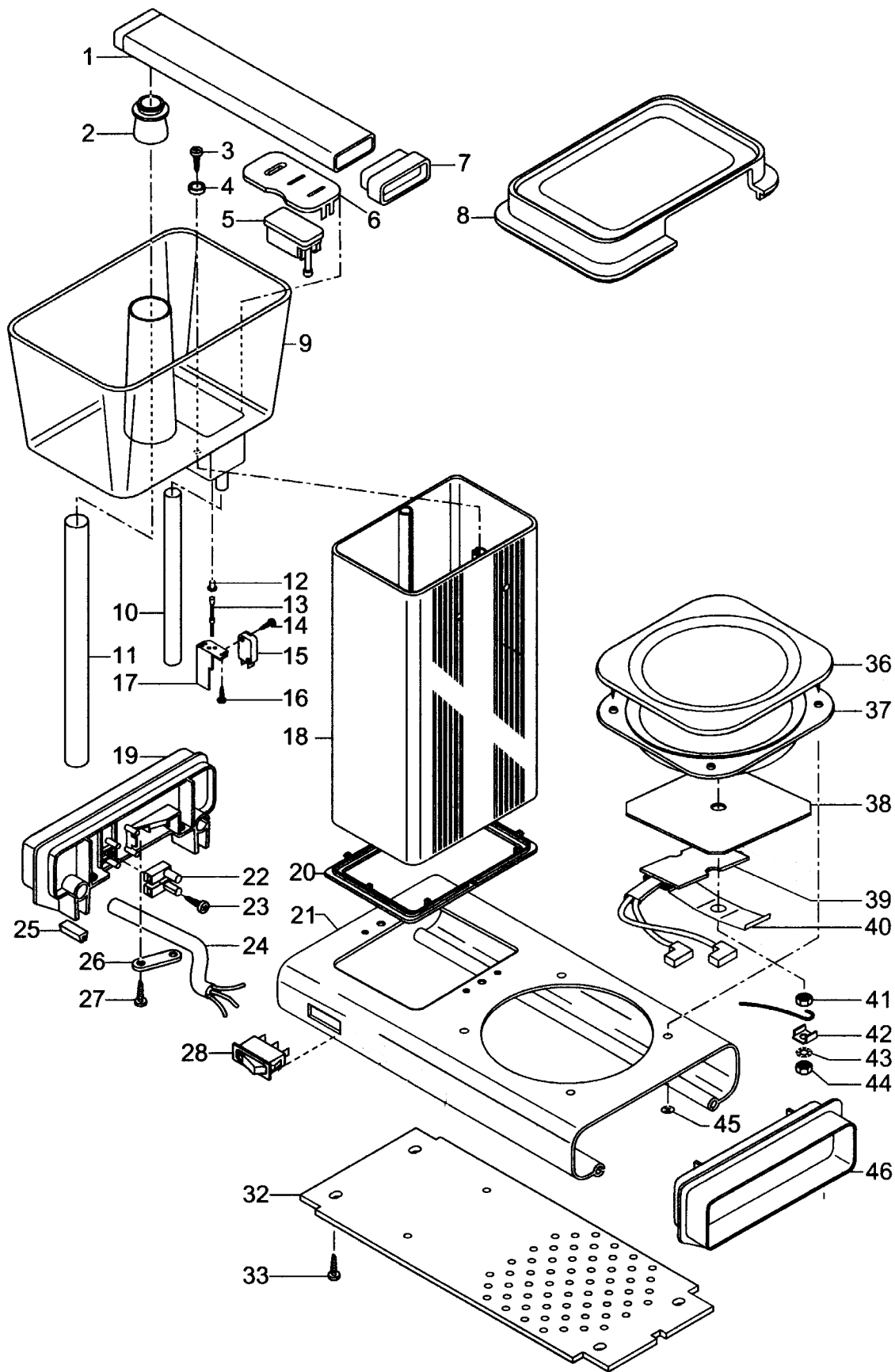
AMERONGEN - HOLLAND


SPARES LIST FOR K-741

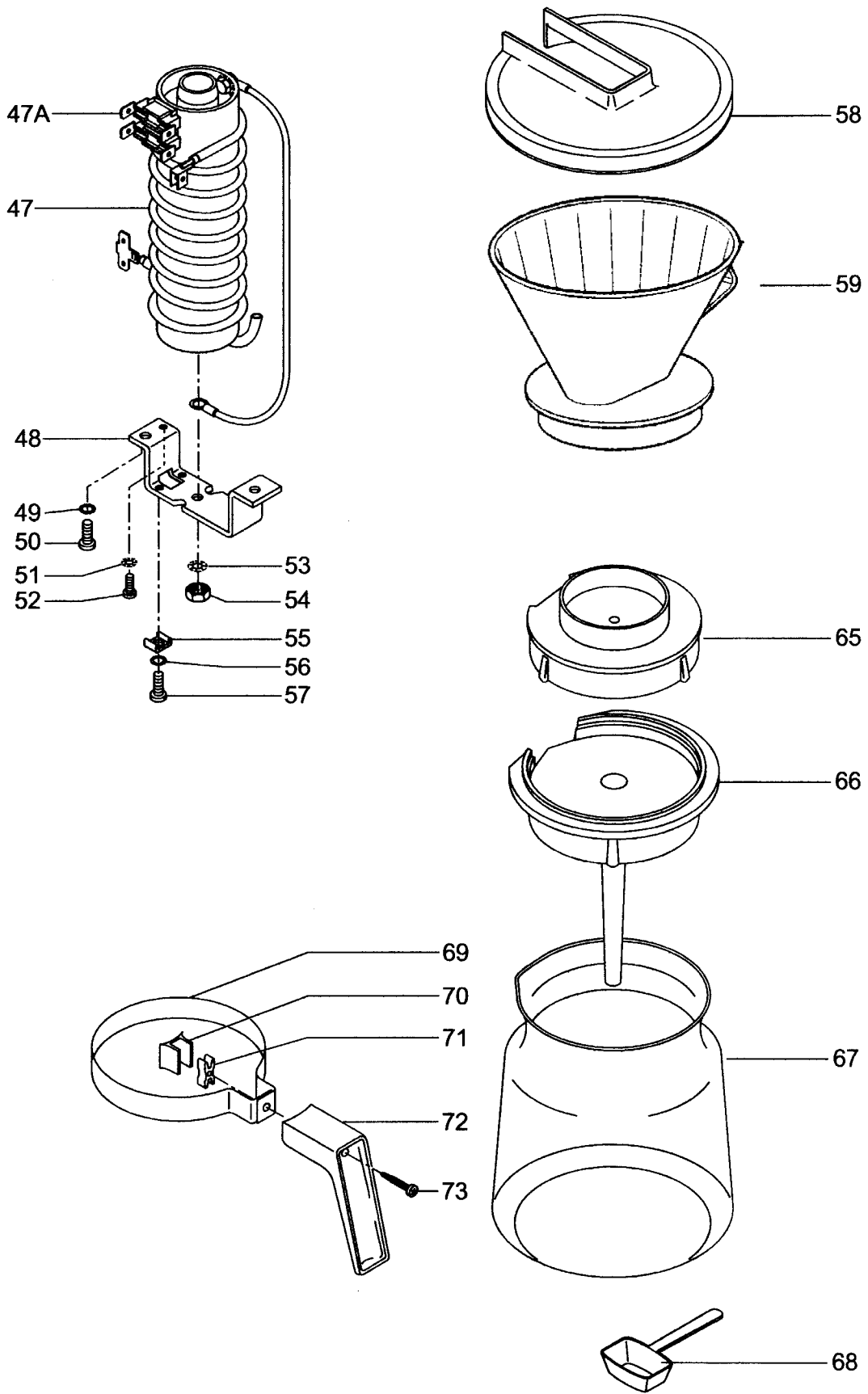
<u>Item.</u>	<u>Description.</u>	<u>Code.</u>
043	Lock washer, M6	74025
044	Nut, M6.....	72035
045	Speednut.....	78250
046	Handle right, brown with feet	11700
↳	Handle right, white with feet.....	11710
↳	Handle right, black with feet.....	11715
047	Boiling element, 1450W-230V	45149
↳	Boiling element, 1200W-230V	45163
↳	Boiling element, 1310W-240V	45163
↳	Boiling element, 1400W-120V	45113
047A	Thermostat / thermofuse combination	46260
048	Element bracket, assembly (incl.items 55, 56, 57)	51489
049	Lock washer	74010
050	Screw M4	71030
051	Lock washer M4	74020
052	Screw 4,2x19	70080
053	Lock washer M6	74025
054	Nut M6.....	72035
055	Earth clip	54161
056	Lock washer M4	74020
057	Screw M4x10	71010
058	Filter lid, brown.....	13105
↳	Filter lid, black	13112
↳	Filter lid, white	13115
059	Filterholder, brown	13210
↳	Filterholder, white.....	13230
↳	Filterholder, black.....	13245
065	Lid, brown.....	13306
↳	Lid, black.....	13311
↳	Lid, white	13316
066	Mixing lid, brown	13370
↳	Mixing lid, white.....	13375
↳	Mixing lid, black.....	13380
067	Jug 1,25ltr.	30105
068	Measuring spoon	88100
↳	Measuring spoon, Norway	88105
↳	Measuring spoon, France, Sweden	88106
069	Neckband jug	56940
070	Closing part handle, brown	12302
↳	Closing part handle, black.....	12307
↳	Closing part handle, white.....	12327
071	Screw part handle, brown	12301
↳	Screw part handle, black.....	12306
↳	Screw part handle, white.....	12326
↳	Screw part handle, brown	12301
072	Handle, brown	12300
	Handle, black	12305
↳	Handle, white	12325
073	Screw 3,5x25 stainless steel.....	70020


K-741 electrical diagram





 <p>TECHNI VORM AMERONGEN-HOLLAND</p>	benaming	H 741
	type	Moccamaster
	datum	augustus 2002
	getekend	Insight illustr. controle
	formaat	A4 bladnr. 1
	tek.nr.	



 TECHNI VORM AMERONGEN-HOLLAND	benaming	H 741
	type	Moccamaster
	datum	augustus 2002
	getekend	Insight illustr. controle
	formaat	A4 bladnr. 2
	tek.nr.	



the coffemaker makers.

AMERONGEN - HOLLAND

SPARES LIST FOR H-741 (Homeline)

Item.	Description.	Code.
001	Outletpipe complete (incl. 007).....	53021
↳	Outletpipe complete (incl. 007), Norway	53055
002	Rubber adapter.....	60010
003	Screw 4,2x16, stainless steel, torx.....	70032
004	Rubber sealing washer	61170
005	Float	12235
006	Floathood.....	54130
007	Rubber closing pad.....	63011
008	Lid coldwatercontainer, brown	13000
↳	Lid coldwatercontainer, black	13012
↳	Lid coldwatercontainer, white	13015
009	Coldwatercontainer, 10 cups	11012
↳	Coldwatercontainer, 10 cups, Norway	11011
010	Rubber tube, 155mm	60110
011	Glass tube, 133,5mm.....	31080
012	Tightening socket	12220
013	Switch pawl.....	54155
014	Screw M3x16.....	73000
015	Microswitch 16 Amp.....	43335
016	Screw 2,9x6,5.....	73050
017	Fixingplate microswitch.....	54151
018	Housing, gold, 150mm	58620
↳	Housing, black	58624
019	Handle left, brown with feet (item25).....	11701
↳	Handle left, black with feet (item25)	11716
020	Sealing ring, brown.....	11400
↳	Sealing ring, black.....	11405
021	Base, black.....	55227
↳	Base, gold.....	55228
022	Block terminal	46060
023	Screw 2,9x19.....	70065
024	Supply cord, 3x1,5 ² , black.....	44345
↳	Supply cord, 3x1,5 ² , brown.....	44343
025	Rubber feet.....	61150
026	Cord anchorage	78175
027	Screw 3,5x13.....	70055
028	Switch illuminated, black, 10amp.....	43048
↳	Switch illuminated, brown, 10amp.....	43058
032	Bottom plate.....	11345
033	Plastite screw, M3x8.....	71060
035	Screw 4,2x16, torx.....	70032
036	Hotplate, chromium	52060
037	Hotplate support, black.....	11415
↳	Hotplate support, brown.....	11410
038	Aluminium disc.....	55410
039	Ptc hotplate element unit, HP-05	41214
040	Tightening spring hotplate element	56976
041	Nut, M6.....	72035
042	Earth clip, M6.....	78151
043	Lock washer, M6	74025
044	Nut, M6.....	72035
045	Speednut	78250
046	Handle right, black with feet	11715
↳	Handle right, brown with feet	11700
047	Boiling element, 1450W-230V	45149
↳	Boiling element, 1200W-230V	45163
↳	Boiling element, 1310W-240V	45163



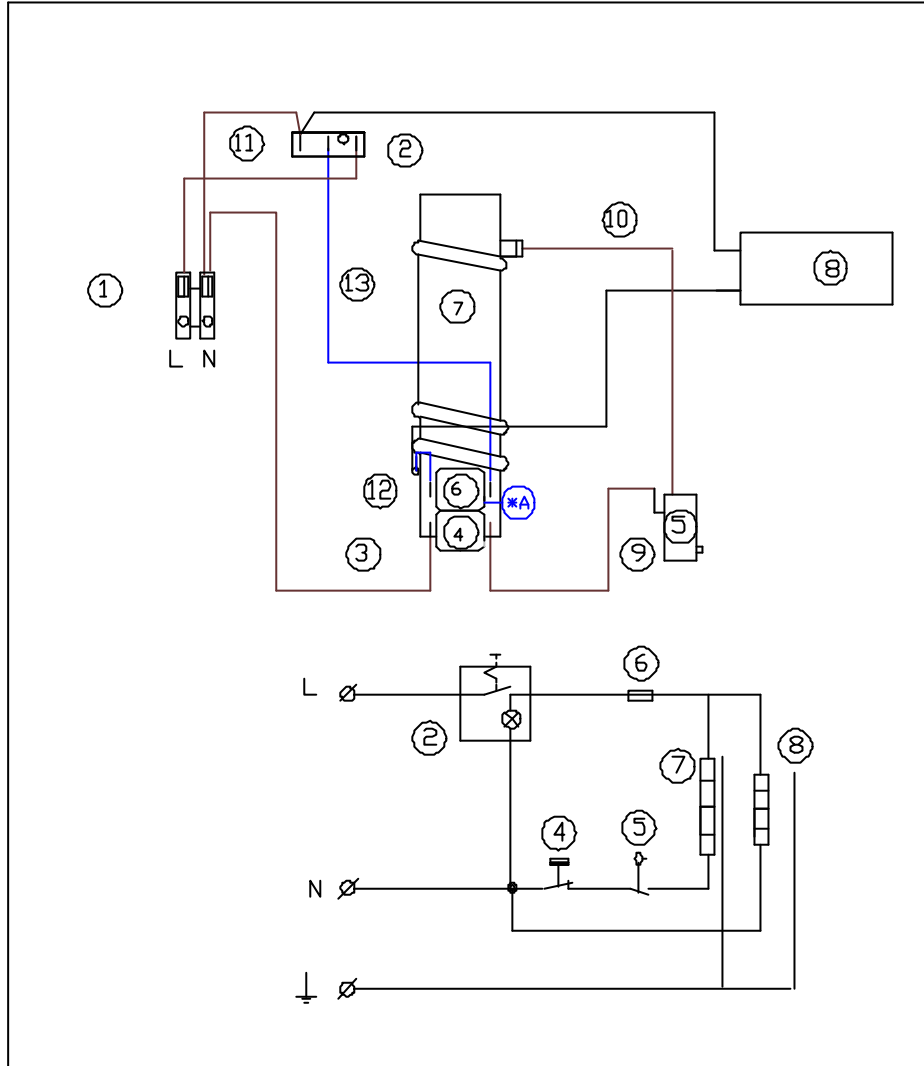
the coffemaker makers.


AMERONGEN - HOLLAND

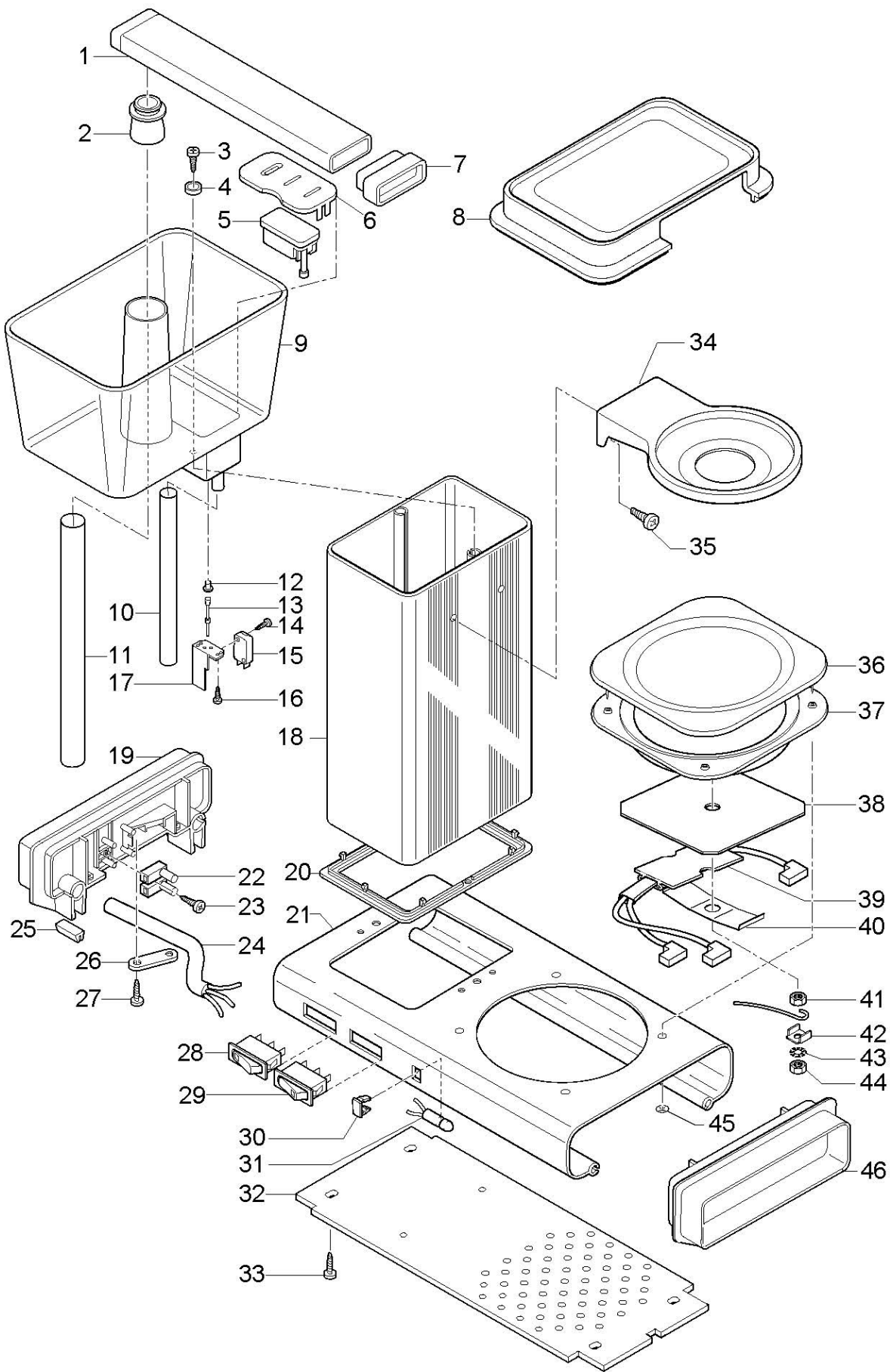
SPARES LIST FOR H-741 (*Homeline*)

Item.	Description.	Code.
↳	Boiling element, 1400W-120V	45113
047A	Thermostat / thermofuse combination	46260
048	Element bracket, assembly (incl.items 55, 56, 57).....	51489
049	Lock washer.....	74010
050	Screw M4.....	71030
051	Lock washer M4	74020
052	Screw 4,2x19.....	70080
053	Lock washer M6	74025
054	Nut M6.....	72035
055	Earth clip	54161
056	Lock washer M4	74020
057	Screw M4x10.....	71010
058	Filter lid, black.....	13112
↳	Filter lid, brown.....	13105
059	Filterholder, black.....	13245
↳	Filterholder, brown.....	13283
065	Lid, black.....	13311
↳	Lid, brown.....	13305
066	Mixing lid, black.....	13380
↳	Mixing lid, white.....	13375
↳	Mixing lid, brown.....	13370
067	Jug 1,25ltr.....	30105
068	Measuring spoon.....	88100
↳	Measuring spoon, Norway.....	88105
↳	Measuring spoon, France, Sweden.....	88106
069	Neckband jug.....	56940
070	Closing part handle, black.....	12307
↳	Closing part handle, white.....	12327
↳	Closing part handle, brown.....	12302
071	Screw part handle, black.....	12306
↳	Screw part handle, white.....	12326
↳	Screw part handle, brown.....	12301
072	Handle, black	12305
↳	Handle, white.....	12325
↳	Handle, brown.....	12300
073	Screw 3,5x25 stainless steel	70020

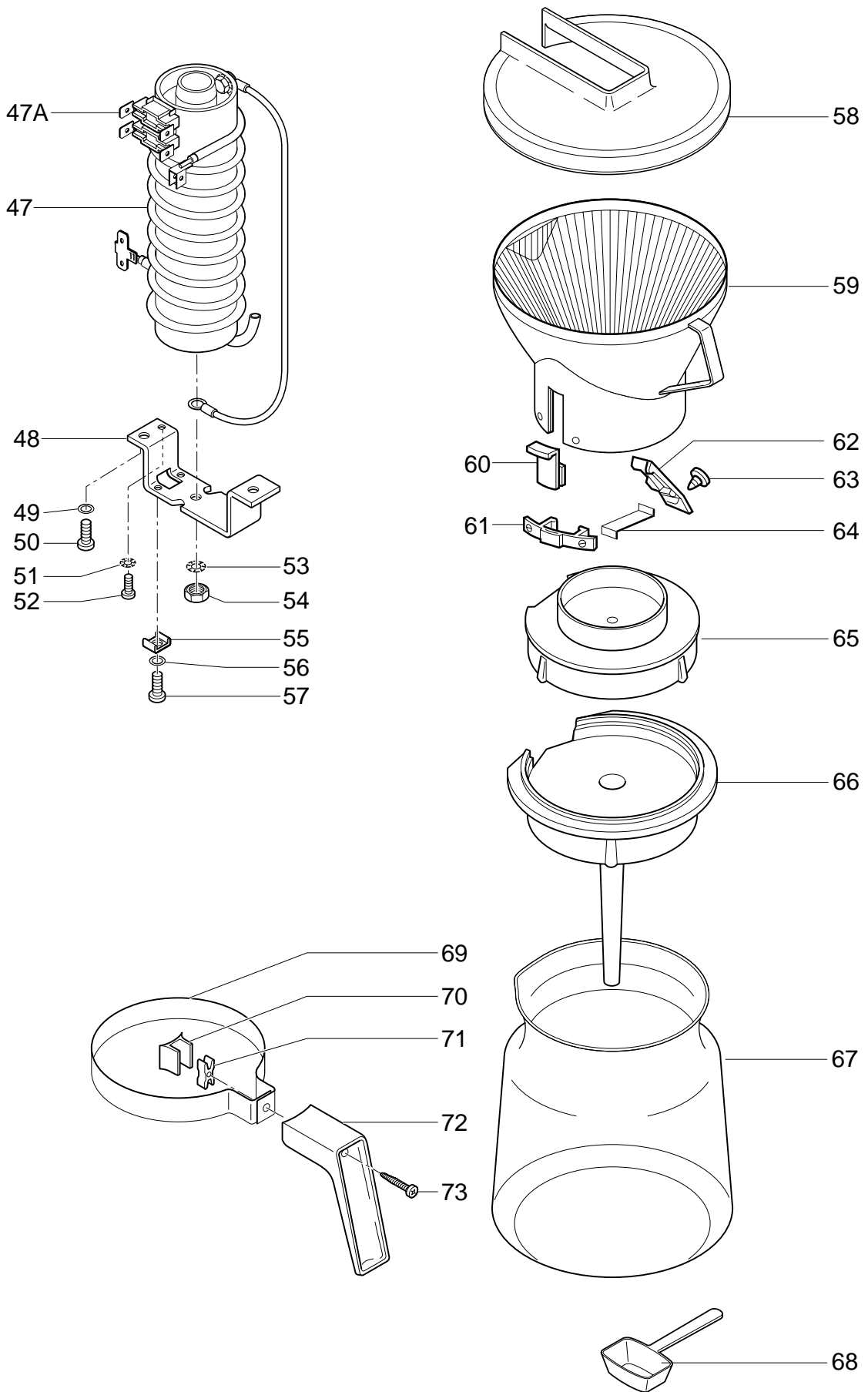
H-741 (Homeline) electrical diagram




stuk	aan-	benaming	materiaal	normaanduiding	opmerking
	ruwheid	maattoleranties			vorm- en plaatstol.
An. Projectie		Schaal: nvt	Getekend: F Walraven		Opmerkingen
		Maateenheid: nvt	Afdeling: R&D		*Rev.A 01-2001
		Datum: 5-1-99	Gezien:		
TECHNIVORM BV Amerongen Holland		Benaming: 741 (Homeline)		Nummer: 74173A-1	A4



 TECHNI VORM AMERONGEN - HOLLAND	benaming	KB 741	
	type	Moccamaster	
	datum	augustus 2002	
	getekend	Insight illustr.	controle
	formaat	A4	bladnr. 1
tek.nr.			



 TECHNI VORM AMERONGEN-HOLLAND	benaming	KB 741	
	type	Moccamaster	
	datum	augustus 2002	
	getekend	Insight illustr.	controle
	formaat	A4	bladnr. 2
	tek.nr.		

MOCCAMASTER

SPARES LIST FOR KB 741

Item:	Description	Code:
001	Outletpipe complete (incl. 007)	53021
↳	Outletpipe complete (incl. 007), Norway	53055
002	Rubber adapter	60015
003	Screw 4,2x16, stainless steel, torx	70032
004	Rubber sealing washer	61170
005	Float	12235
006	Floathood	54130
007	Rubber closing pad	63011
008	Lid coldwater container, brown	13000
↳	Lid coldwater container, black.....	13012
↳	Lid coldwater container, white.....	13015
009	Coldwater container, 10 cups	11010
↳	Barrier container (CSA-us).....	11305
010	Rubber tube, 185mm	60095
011	Glass tube, 168,5mm.....	31110
012	Tightening socket.....	12220
013	Switch pawl.....	54155
014	Screw M3x16	73000
015	Microswitch.	43335
↳	Microswitch (CSA-us)	43330
016	Screw 2,9x6,5	73050
017	Fixingplate microswitch.....	54151
018	Housing, silver polished,	58543
↳	Housing, bordeaux.....	58557
↳	Housing, bronze	58559
↳	Housing, anthracite	58646
↳	Housing, green.....	58660
↳	Housing, gold, 184mm.....	58665
↳	Housing, gold polished, 184mm.....	58668
↳	Housing, creme, 184mm.....	58670
↳	Housing, white, 184mm	58671
↳	Housing, black, 184mm	58675
019	Handle left, brown with feet (item25)	11701
↳	Handle left, white with feet (item25).....	11711
↳	Handle left, black with feet (item25).....	11716
↳	Handle left, black with feet (item25) (CSA-us).....	11706
020	Sealing ring, brown	11400
↳	Sealing ring, white.....	11406
↳	Sealing ring, black.....	11405
021	Base, silver polished.....	55203
↳	Base, silver polished, scale indicator.....	55218
↳	Base, bordeaux.....	55240
↳	Base, bordeaux, scale indicator.....	55211
↳	Base, bronze.....	55236
↳	Base, bronze, scale indicator.....	55237
↳	Base, anthracite, scale indicator.....	55242
↳	Base, green, scale indicator.....	55239
↳	Base, gold.....	55206
↳	Base, gold polished.....	55204
↳	Base, gold polished, scale indicator	55219
↳	Base, creme, scale indicator.....	55209
↳	Base, white.....	55223
↳	Base, white, scale indicator	55220



the coffeemaker makers.

MOCCAMASTER

SPARES LIST FOR KB 741

Item:	Description	Code:
↳	Base, black.....	55222
↳	Base, black, scale indicator	55208
022	Block terminal.....	46060
↳	Block terminal (CSA us).....	46075
023	Screw 2,9x19	70065
024	Supply cord, 3x1,0 ² , black	44045
↳	Supply cord, 3x1,0 ² , brown	44043
↳	Supply cord, 3x1,0 ² , white	44044
↳	Supply cord, 3x 16 AWG 105°C	44026
025	Rubber feet	61150
026	Cord anchorage	78175
↳	Cord anchorage (CSA us).....	78177
027	Screw 3,5x13	70055
028	Switch illuminated, black,.....	43035
↳	Switch illuminated, brown,	43037
↳	Switch illuminated, white,	43036
029	Switch illuminated, black,.....	43035
↳	Switch illuminated, brown,	43037
↳	Switch illuminated, white,	43036
030	Indicating lens, red.....	43671
031	Signal lamp	43670
↳	Signal lamp (CSA us).....	43648
032	Bottom plate	11345
↳	Bottom plate (CSA us)	11346
033	Plastite screw, M3x8	71060
034	Filterbracket, black new model (2006).....	12796
↳	Filterbracket, black old model	12795
↳	Filterbracket, white.....	12792
↳	Filterbracket, brown	12790
035	Taptite M4x6, (new model filterbracket).....	71017
↳	Screw 4,2x32, torx (old model filterbracket)	70029
036	Hotplate, oven enamelled, black.....	52064
↳	Hotplate, oven enamelled, white.....	52063
↳	Hotplate, oven enamelled, brown	52062
037	Hotplate support, black	11415
↳	Hotplate support, white	11420
↳	Hotplate support, brown.....	11410
038	Aluminium disc.....	55410
039	Ptc hotplate element HP-07	41235
↳	Ptc hotplate element HP-07 (CSA us)	41229
040	Tightening spring hotplate element.....	56976
041	Nut, M6.....	72035
042	Earth clip, M6	78151
043	Lock washer, M6	74025
044	Nut, M6.....	72035
045	Speednut.....	78250
046	Handle right, black with feet.....	11715
↳	Handle right, white with feet.....	11710
↳	Handle right, brown with feet	11700
↳	Handle right, black with feet (CSA us)	11705
047A	Thermostat / thermofuse combination	46260
047	Boiling element, 1450W-230V	45149
↳	Boiling element, 1200W-230V	45163



the coffeemaker makers.

MOCCAMASTER

SPARES LIST FOR KB 741

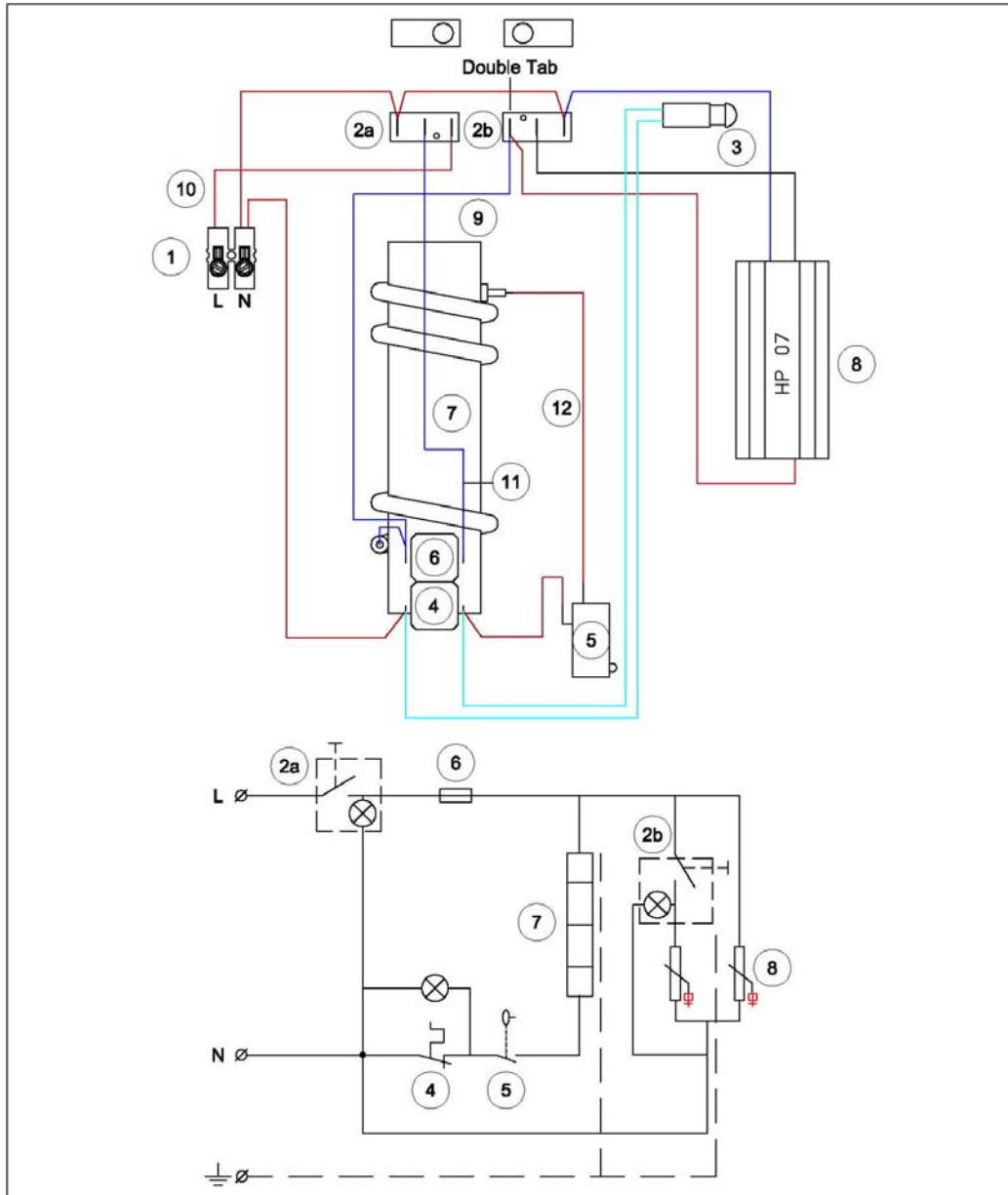
Item:	Description	Code:
↳	Boiling element, 1310W-240V	45163
↳	Boiling element, 1400W-120V	45113
048	Element bracket, assembly (incl.items 55, 56, 57)	51489
049	Lock washer M4	74020
050	Screw 4,2x19	70080
051	Lock washer M3	74015
052	Screw M3	73031
053	Lock washer M6	74025
054	Nut M6.....	72035
055	Earth clip	54161
056	Lock washer M4	74020
057	Screw M4x10	71010
058	Filter lid, black	13112
↳	Filter lid, white	13115
↳	Filter lid, brown.....	13105
059	Adjustable filterholder, black	13292
↳	Adjustable filterholder, black, assembly.....	13193
↳	Adjustable filterholder, white	13288
↳	Adjustable filterholder, white, assembly.....	13196
↳	Adjustable filterholder, brown.....	13283
↳	Adjustable filterholder, brown, assembly	13191
060	Adjustable knob, black	11940
↳	Adjustable knob, white	11935
↳	Adjustable knob, brown.....	11930
061	Springholder, black	11910
↳	Springholder, white	11905
↳	Springholder, brown.....	11900
062	Closing arm, black	11970
↳	Closing arm, white	11965
↳	Closing arm, brown	11960
063	Rubber closing pad	60070
064	Spring.....	56971
065	Lid, black.....	13311
↳	Lid, white	13316
↳	Lid, brown.....	13306
066	Mixing lid, black.....	13380
↳	Mixing lid, white.....	13375
↳	Mixing lid, brown	13370
067	Jug 1,25ltr.	30105
068	Measuring spoon	88104
069	Neckband jug	56940
070	Closing part handle, black.....	12307
↳	Closing part handle, white.....	12327
↳	Closing part handle, brown	12302
071	Screw part handle, black.....	12306
↳	Screw part handle, white.....	12326
↳	Screw part handle, brown	12301
072	Handle, black	12305
↳	Handle, white	12325
↳	Handle, brown	12300
073	Screw 3,5x25 stainless steel.....	70020



the coffeemaker makers.

MOCCAMASTER

Electrical diagram 741.**



MOCCAMASTER

Industrieweg 20 P.O. box 34
3958 VR AMERONGEN 3958 ZT AMERONGEN
Tel: (0343) 453161 Mail: technivorm@tref.nl
Fax: (0343) 454885 www.technivorm.com

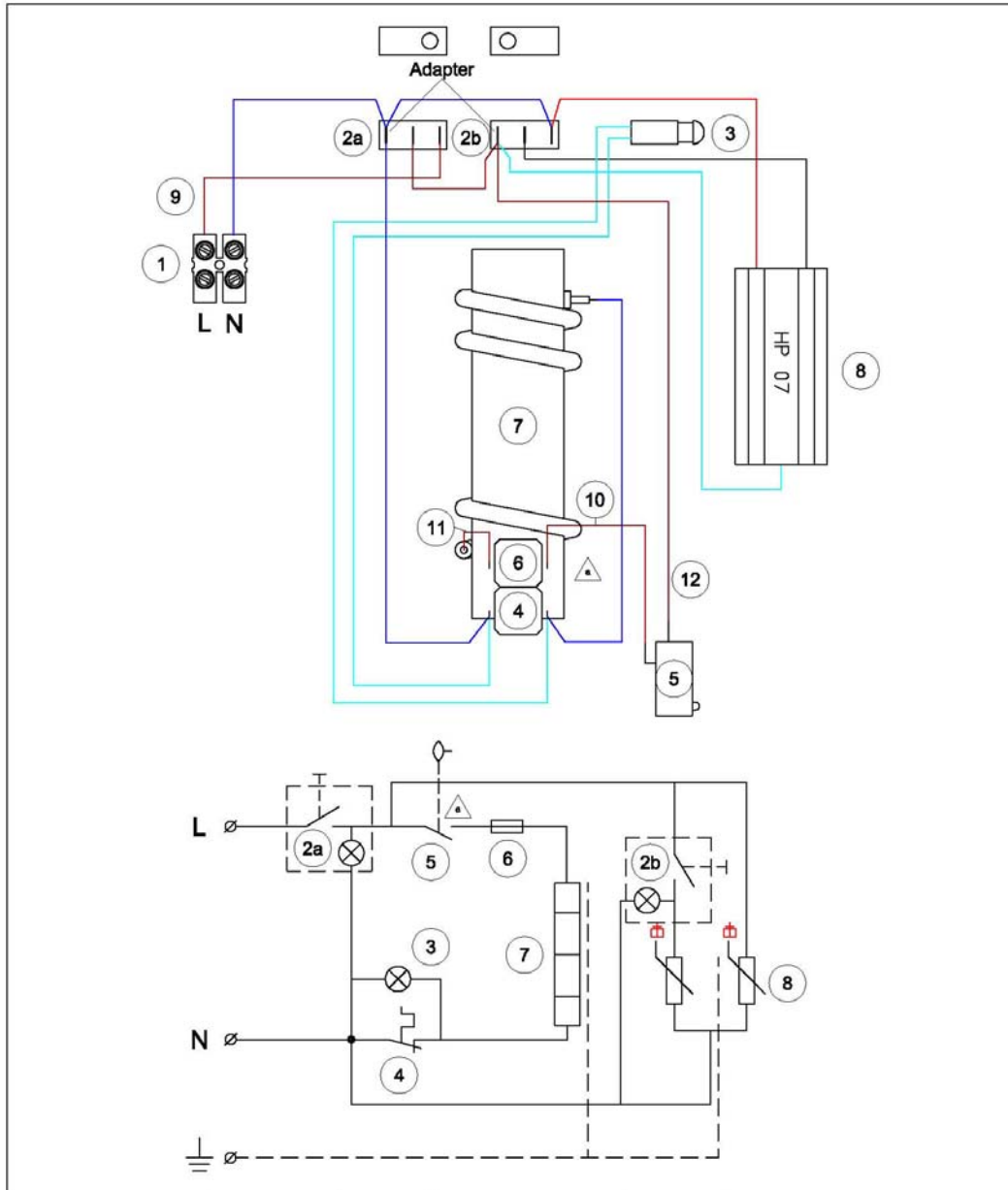
drawn by	E. Wiersema	date	13-05-2005	revision / modification
checked by	F. Walraven	date	13-05-2005	a
format	A4	sheet	1 of 2	b
remark				c
drawing name	741			drawing number
				74165B



the coffeemaker makers.

MOCCAMASTER

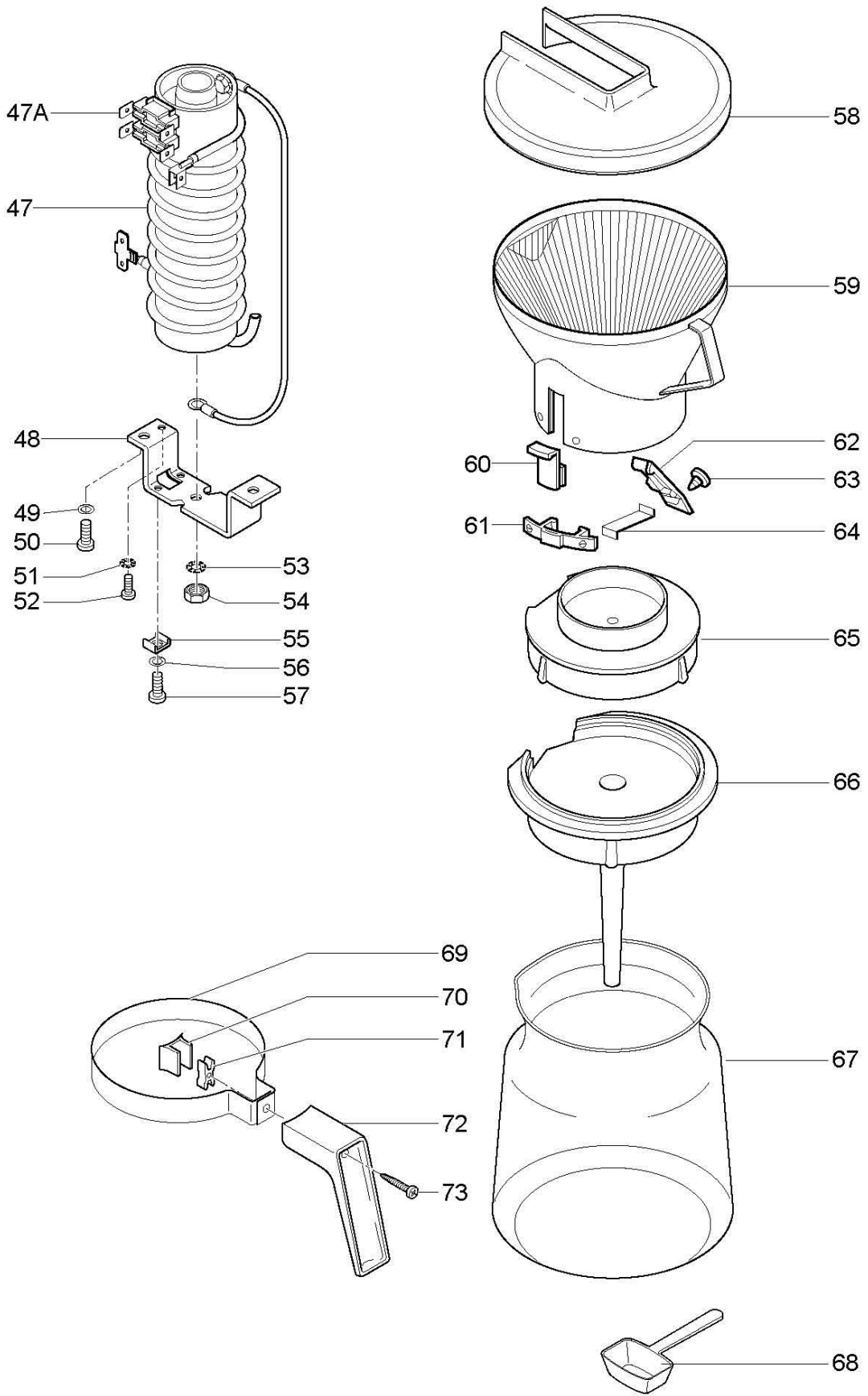
Electrical diagram 741.59 (CSA us)




MOCCAMASTER

Industrieweg 20 P.O. box 34
 3958 VR AMERONGEN 3958 ZT AMERONGEN
 Tel: (0343) 453161 Mail: technivorm@tref.nl
 Fax: (0343) 454885 www.technivorm.com

drawn by	E Wiersema	date	15-06-2005	revision / modification
checked by	F Walraven	date	15-06-2005	a aansl. vlotter verwisseld
format	A4	sheet	1 of 2	b
remark	UL - 120V			c
drawing name			drawing number	
741 - 120V			74159B	



 <p>TECHNI VORM AMERONGEN - HOLLAND</p>	benaming	KB 741 AO	
	type	Moccamaster	
	datum	augustus 2006	
	getekend	Insight illustr.	controle
	formaat	A4	bladnr. 2
	tek.nr.		



the coffeemaker makers.

MOCCAMASTER

SPARES LIST FOR KB 741 "AO"

Item:	Description	Code:
001	Outletpipe complete (incl. 007)	53021
↳	Outletpipe complete (incl. 007), Norway	53055
002	Rubber adapter	60015
003	Screw 4,2x16, stainless steel, torx	70032
004	Rubber sealing washer	61170
005	Float	12235
006	Floathood	54130
007	Rubber closing pad	63011
008	Lid coldwatercontainer, brown	13000
↳	Lid coldwatercontainer, black	13012
↳	Lid coldwatercontainer, white	13015
009	Coldwatercontainer, 10 cups	11010
010	Rubber tube, 185mm	60095
011	Glass tube, 168,5mm	31110
012	Tightening socket	12220
013	Switch pawl	54155
014	Screw M3x16	73000
015	Microswitch 16 Amp	43335
016	Screw 2,9x6,5	73050
017	Fixingplate microswitch	54151
018	Housing, red, 184mm	58526
↳	Housing, silver polished, 184mm	58543
↳	Housing, bronze, 184mm	58559
↳	Housing, white metallic, 184mm	58661
↳	Housing, gold polished, 184mm	58668
↳	Housing, silver, 184mm	58674
↳	Housing, stone/gray, 184mm	58650
↳	Housing, brushed, 184mm	58542
↳	Housing, black metallic, 184mm	58541
019	Handle left, brown with feet (item25)	11701
↳	Handle left, white with feet (item25)	11711
↳	Handle left, black with feet (item25)	11716
020	Sealing ring, brown	11400
↳	Sealing ring, white	11406
↳	Sealing ring, black	11405
021	Base, silver polished	55603
↳	Base, gold polished	55604
↳	Base, silver	55612
↳	Base, silver polished, scale indicator	55618
↳	Base, red	55631
↳	Base, bronze	55636
↳	Base, stone/gray	55651
↳	Base, stone/gray, scale indicator	55652
↳	Base, white metallic, scale indicator	55656
↳	Base, white metallic	55657
↳	Base, brushed	55661
↳	Base, brushed, scale indicator	55662
↳	Base, black metallic,	55667
022	Block terminal	46060
023	Screw 2,9x19	70065
024	Supply cord, 3x0,75 ² , black	44018
↳	Supply cord, 3x0,75 ² , white	44019
↳	Supply cord, 3x0,75 ² , rubber	44022



the coffeemaker makers.

MOCCAMASTER

SPARES LIST FOR KB 741 "AO"

Item:	Description	Code:
025	Rubber feet	61150
026	Cord anchorage	78175
027	Screw 3,5x13	70055
028	Switch Tippmatic,	43020
029	Switch illuminated, black,	43021
030	Indicating lens, red	43671
031	Signal lamp	43670
032	Bottom plate	11345
033	Plastite screw, M3x8	71060
034	Filterbracket, black	12796
035	Screw 4,2x32, torx	70029
036	Hotplate, oven enamelled, black	52064
037	Hotplate support, black	11415
038	Aluminium disc	55410
039	Ptc hotplate element HP-07	41245
040	Tightening spring hotplate element	56976
041	Nut, M6	72035
042	Earth clip, M6	78151
043	Lock washer, M6	74025
044	Nut, M6	72035
045	Speednut	78250
046	Handle right, black with feet	11715
047	Plastite screw, M3x8	71060
047A	Thermostat / thermofuse combination	46260
047	Boiling element, 1450W-230V	45149
↳	Boiling element, 1200W-230V	45163
↳	Boiling element, 1310W-240V	45163
↳	Boiling element, 1400W-120V	45113
048	Element bracket, assembly (incl.items 55, 56, 57)	51489
049	Lock washer M4	74020
050	Screw 4,2x19	70080
051	Lock washer M3	74015
052	Screw M3	73031
053	Lock washer M6	74025
054	Nut M6	72035
055	Earth clip	54161
056	Lock washer M4	74020
057	Screw M4x10	71010
058	Filter lid, black	13112
059	Adjustable filterholder, black	13292
↳	Adjustable filterholder, black, assembly	13193
060	Adjustable knob, black	11940
061	Springholder, black	11910
062	Closing arm, black	11970
063	Rubber closing pad	60070
064	Spring	56971
065	Lid, black	13311
066	Mixing lid, black	13380
067	Jug 1,25ltr.	30105
068	Measuring spoon	88104
069	Neckband jug	56940
070	Closing part handle, black	12307
071	Screw part handle, black	12306



the coffeemaker makers.

MOCCAMASTER

SPARES LIST FOR KB 741 "AO"

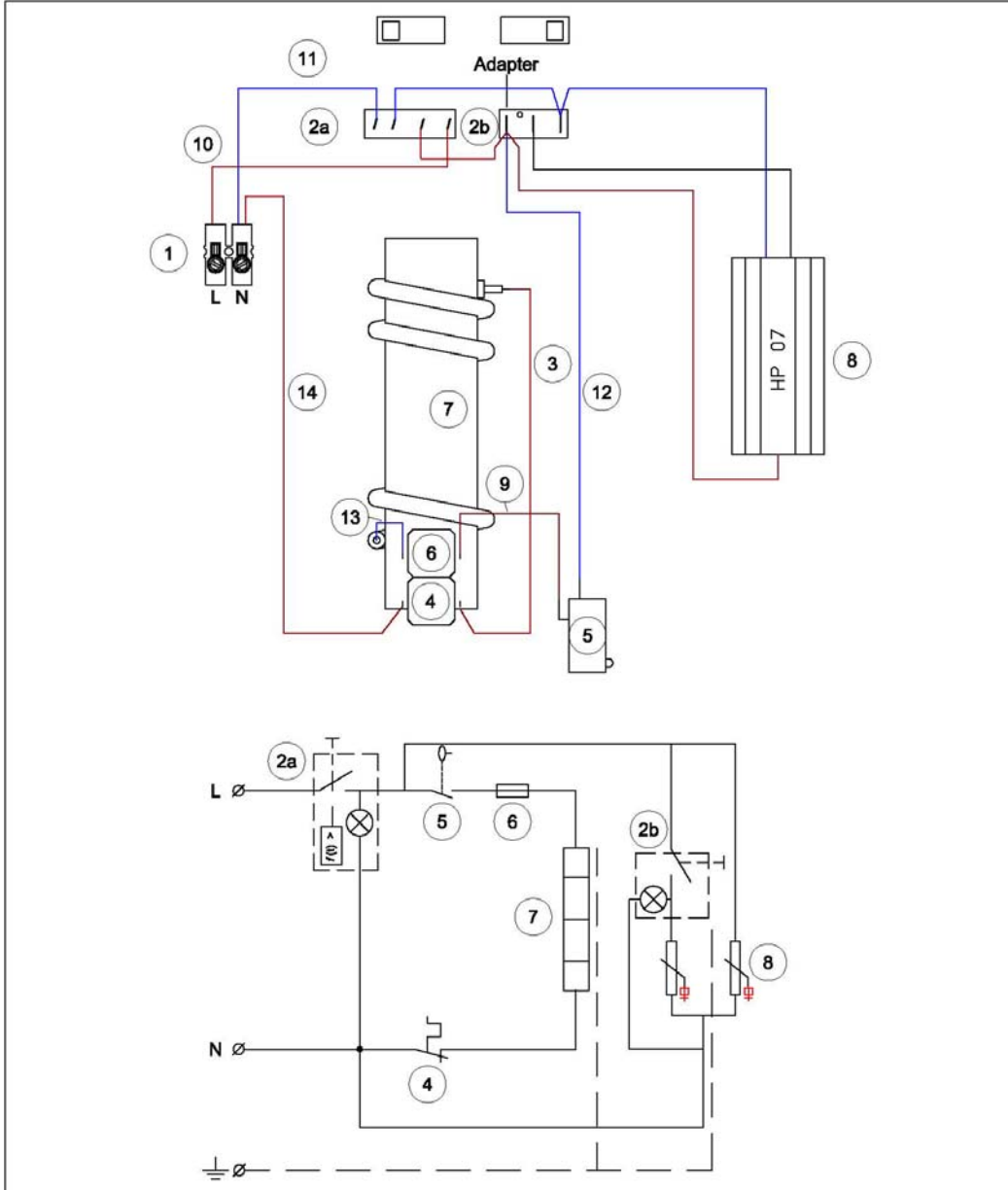
Item:	Description	Code:
072	Handle, black	12305
↳	Handle, white	12325
↳	Handle, brown	12300
073	Screw 3,5x25 stainless steel.....	70020



the coffeemaker makers.

MOCCAMASTER

Electrical diagram 741.80 "AO"



MOCCAMASTER

Industrieweg 20 P.O. box 34
 3958 VR AMERONGEN 3958 ZT AMERONGEN
 Tel: (0343) 453161 Mail: technivorm@tref.nl
 Fax: (0343) 454685 www.technivorm.com

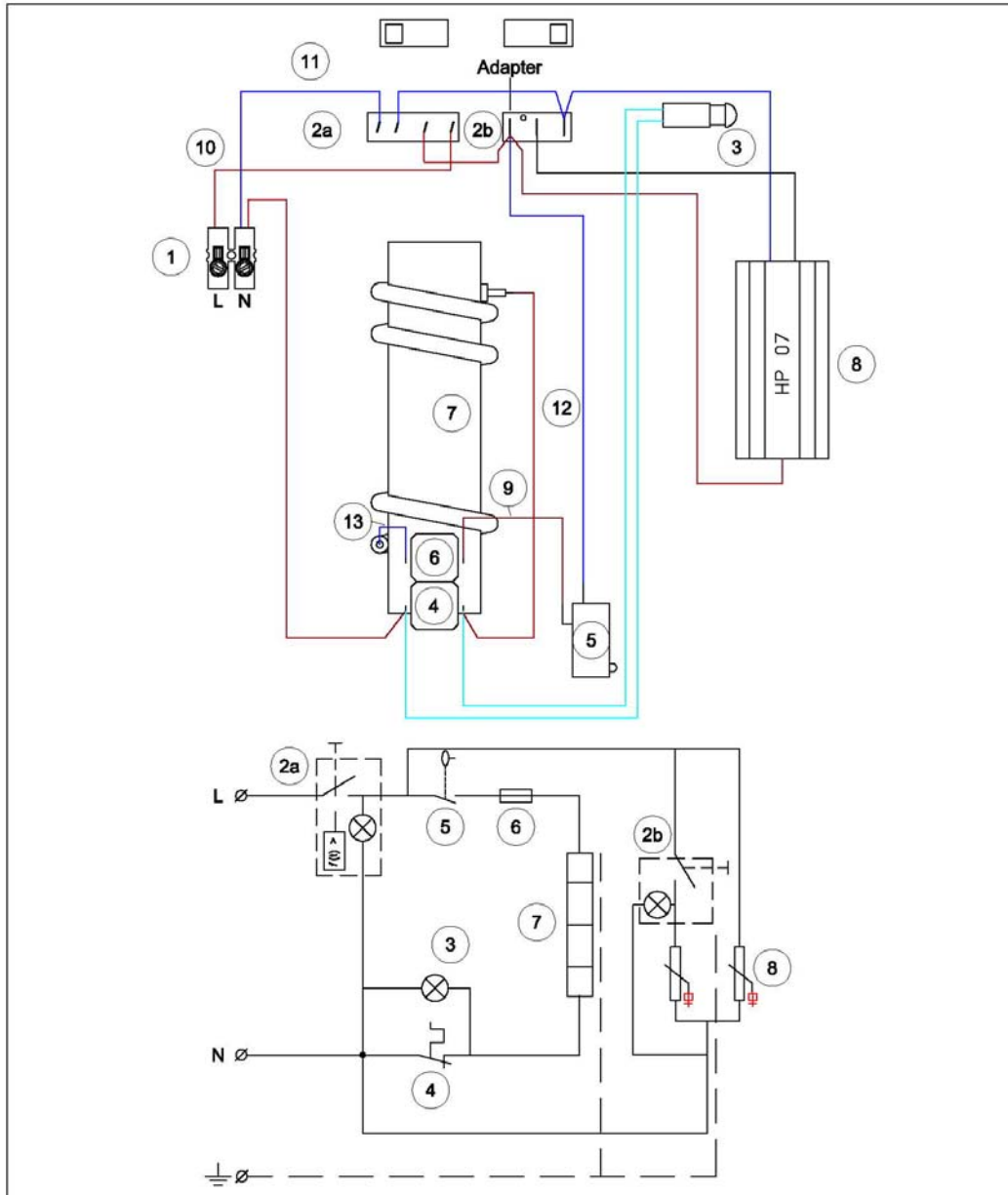
drawn by	EW	date	13-10-2006	revision / modification
checked by	FW	date	13-10-2006	a
format	A4	sheet	1 of 2	b
remark	timer switch 120 min.			c
drawing name	741			drawing number
				74180



the coffeemaker makers.

MOCCAMASTER

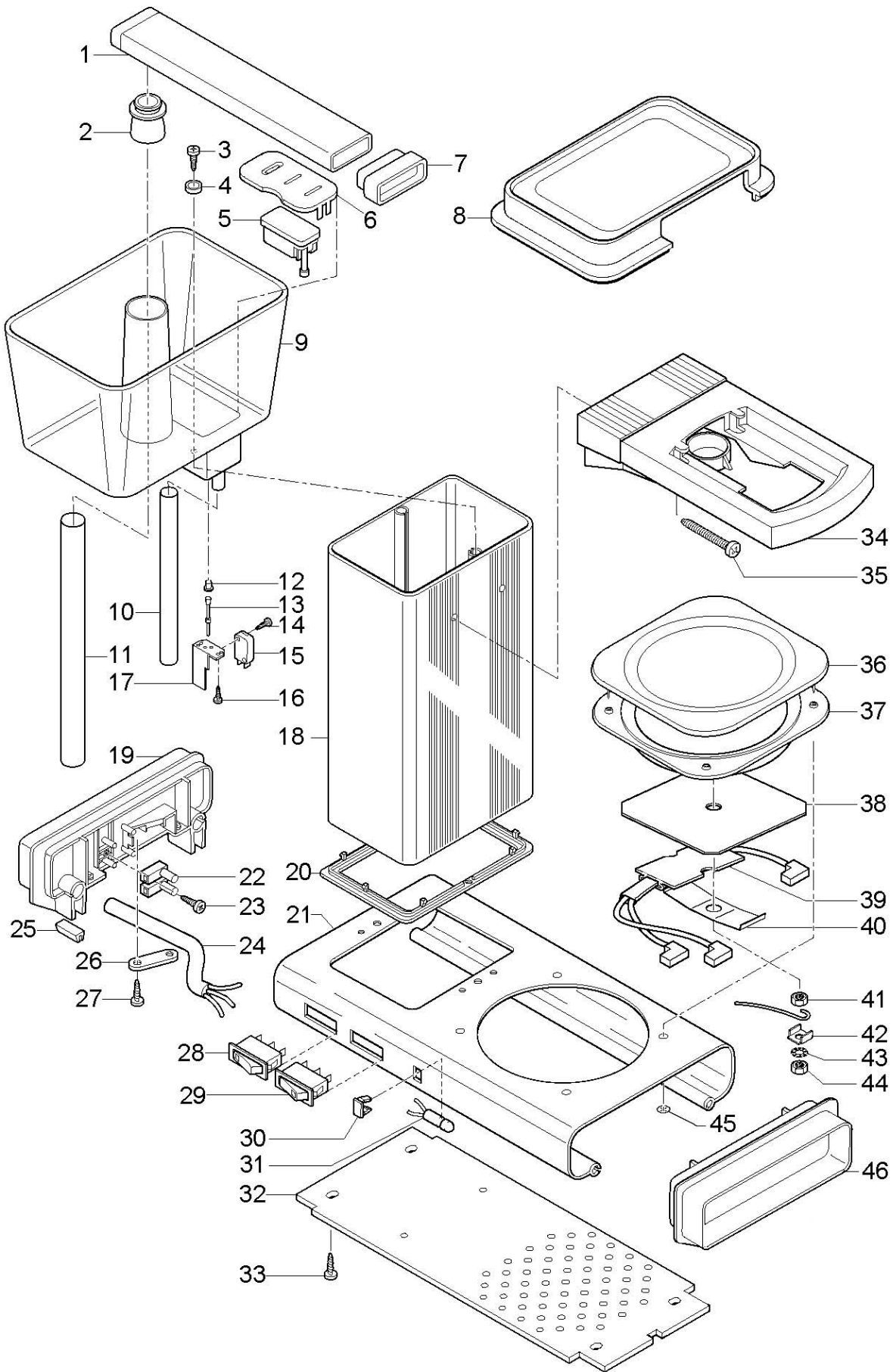
Electrical diagram 741.81 "AO"



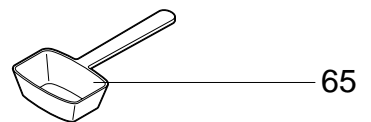
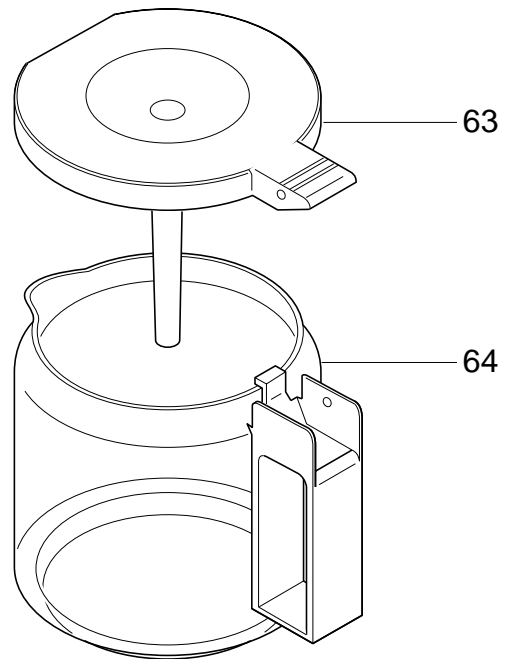
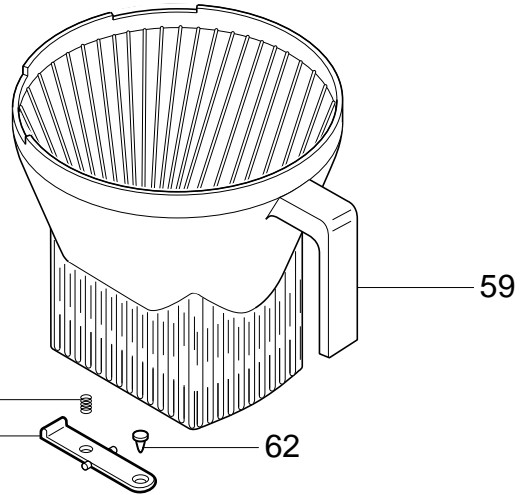
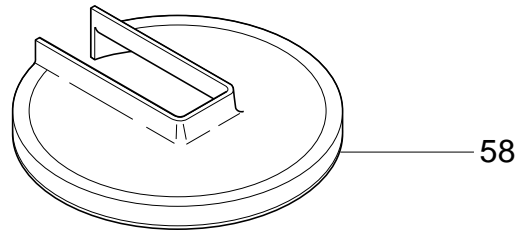
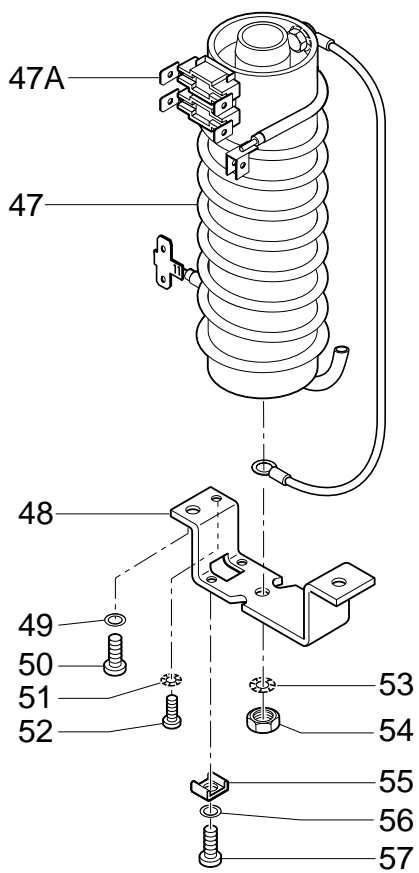
MOCCAMASTER


Industrieweg 20 P.O. box 34
 3958 VR AMERONGEN 3958 ZT AMERONGEN
 Tel: (0343) 453161 Mail: technivorm@tref.nl
 Fax: (0343) 454885 www.technivorm.com

drawn by	EW	date	13-10-2006	revision / modification
checked by	FW	date	13-10-2006	a
format	A4	sheet	1 of 2	b
remark	timer switch 120 min.			c
drawing name	741			drawing number
				74181



 <p>AMERONGEN - HOLLAND</p>	benaming	KBG 741	
	type	Moccamaster	
	datum	augustus 2002	
	getekend	Insight illustr.	controle
	formaat	A4	bladnr. 1
	tek.nr.		



 TECHNI VORM AMERONGEN - HOLLAND	benaming	KBG 741	
	type	Moccamaster	
	datum	augustus 2002	
	getekend	Insight illustr.	controle
	formaat	A4	bladnr. 2
	tek.nr.		



the coffeemaker makers.

AMERONGEN - HOLLAND

SPARES LIST FOR KBG-741

<u>Item.</u>	<u>Description.</u>	<u>Code.</u>
001	Outletpipe complete (incl. 007)	53021
↳	Outletpipe complete (incl. 007), Norway	53055
002	Rubber adapter	60010
003	Screw 4,2x16, stainless steel, torx	70032
004	Rubber sealing washer	61170
005	Float	12235
006	Floathood	54130
007	Rubber closing pad	63011
008	Lid coldwatercontainer, black	13012
009	Coldwatercontainer, 10 cups	11012
↳	Coldwatercontainer, 10 cups, Norway	11011
010	Rubber tube, 185mm	60095
011	Glass tube, 168,5mm	31110
012	Tightening socket	12220
013	Switch pawl	54155
014	Screw M3x16	73000
015	Microswitch 16 Amp	43335
016	Screw 2,9x6,5	73050
017	Fixingplate microswitch	54151
018	Housing, silver polished,	58543
↳	Housing, bordeaux	58557
↳	Housing, bronze	58559
↳	Housing, anthracite	58646
↳	Housing, stone-grey	58648
↳	Housing, green	58660
↳	Housing, gold, 184mm	58665
↳	Housing, gold polished, 184mm	58668
↳	Housing, creme, 184mm	58670
↳	Housing, black, 184mm	58675
019	Handle left, black with feet (item25)	11716
020	Sealing ring, black	11405
021	Base, silver polished	55203
↳	Base, silver polished, scale indicator	55218
↳	Base, bordeaux	55240
↳	Base, bordeaux, scale indicator	55211
↳	Base, bronze	55236
↳	Base, bronze, scale indicator	55237
↳	Base, anthracite, scale indicator	55242
↳	Base, green, scale indicator	55239
↳	Base, gold	55206
↳	Base, gold, scale indicator	55224
↳	Base, gold polished	55204
↳	Base, gold polished, scale indicator	55219
↳	Base, creme, scale indicator	55209
↳	Base, stone-grey	55251
↳	Base, stone-grey, scale indicator	55252
↳	Base, black	55222
↳	Base, black, scale indicator	55208
022	Block terminal	46060
023	Screw 2,9x19	70065
024	Supply cord, 3x1,0 ² , black	44045
↳	Supply cord, 3x1,0 ² , brown	44043
↳	Supply cord, 3x1,0 ² , white	44044
025	Rubber feet	61150
026	Cord anchorage	78175
027	Screw 3,5x13	70055
028	Switch illuminated, black,	43035



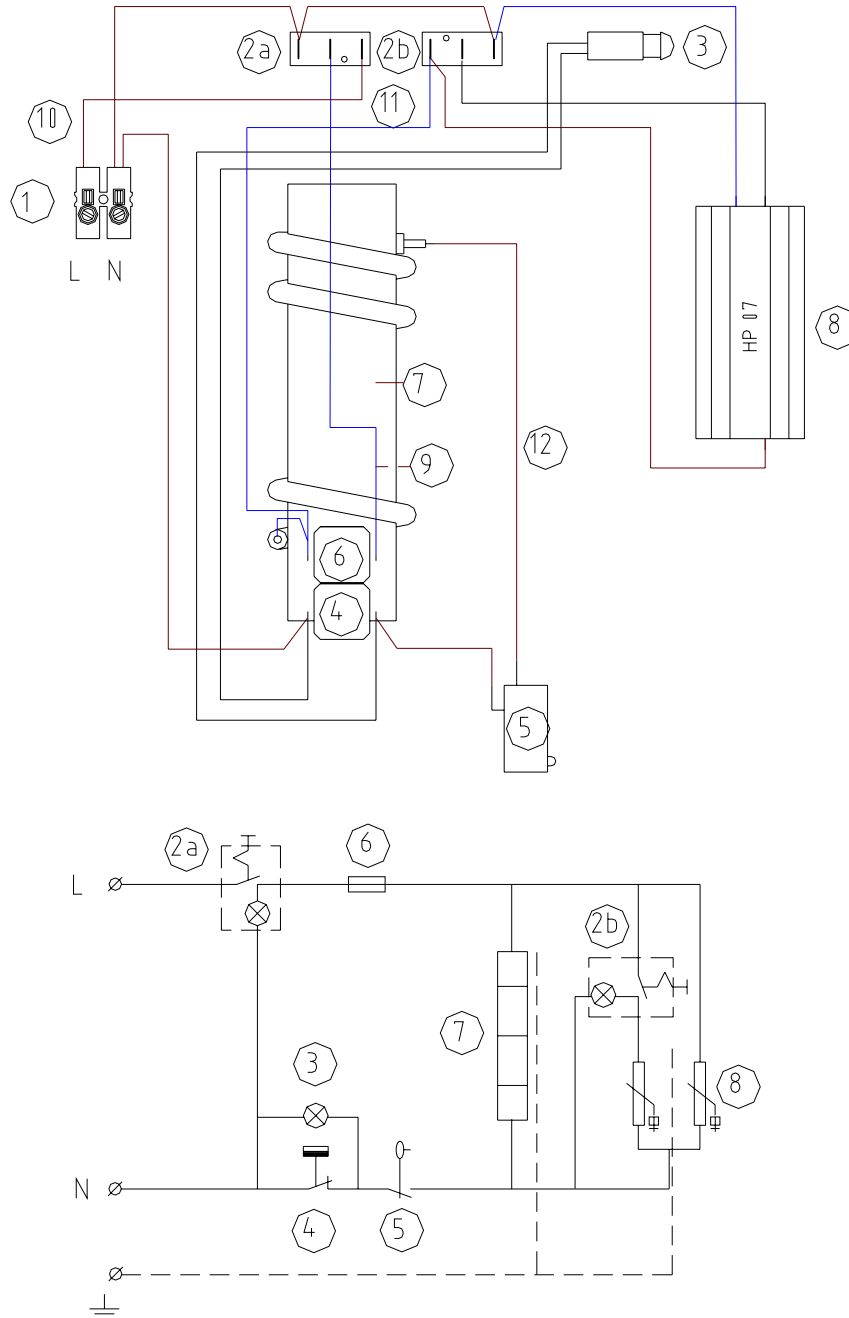
the coffeemaker makers.

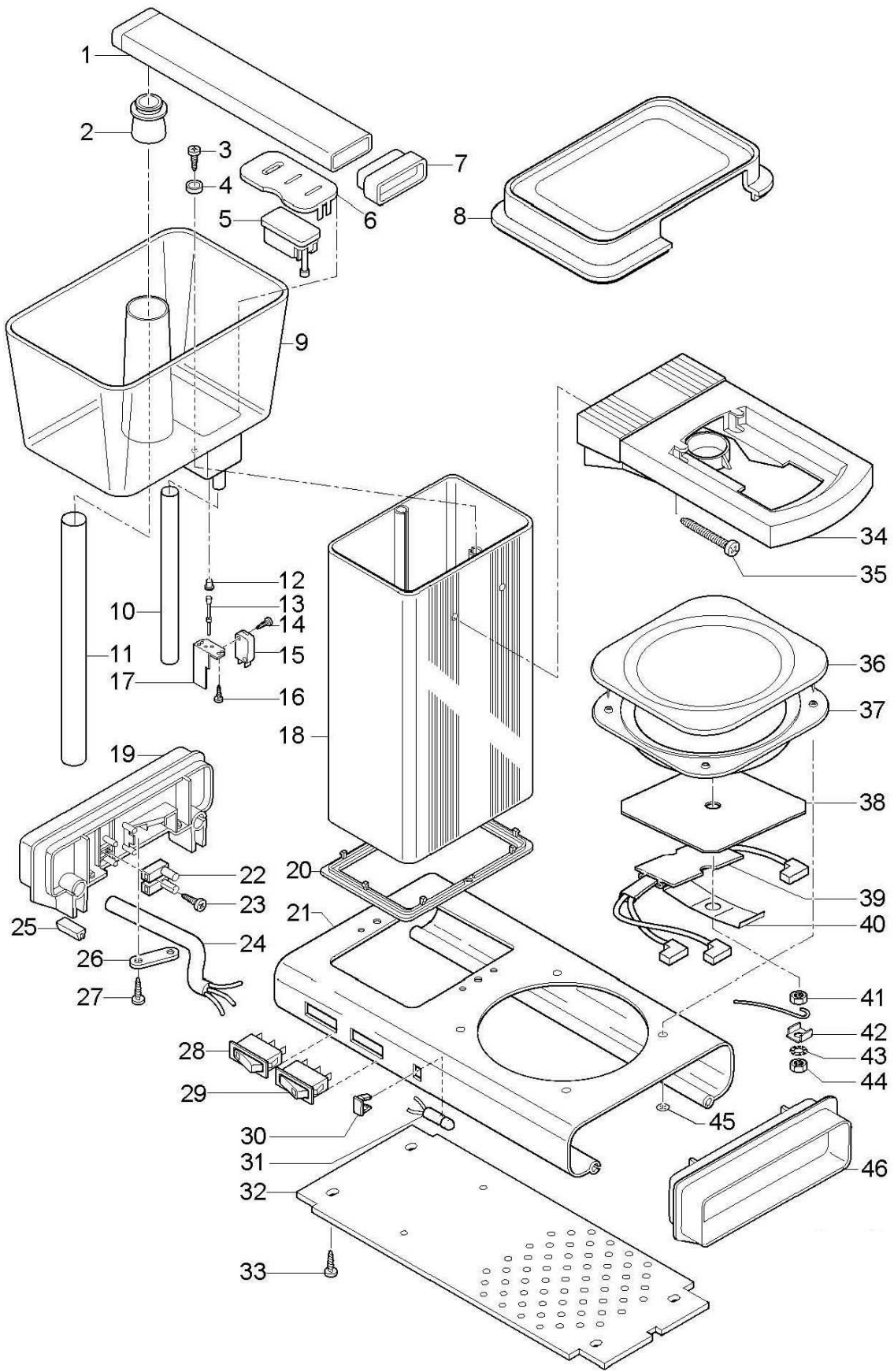
AMERONGEN - HOLLAND


SPARES LIST FOR KBG-741

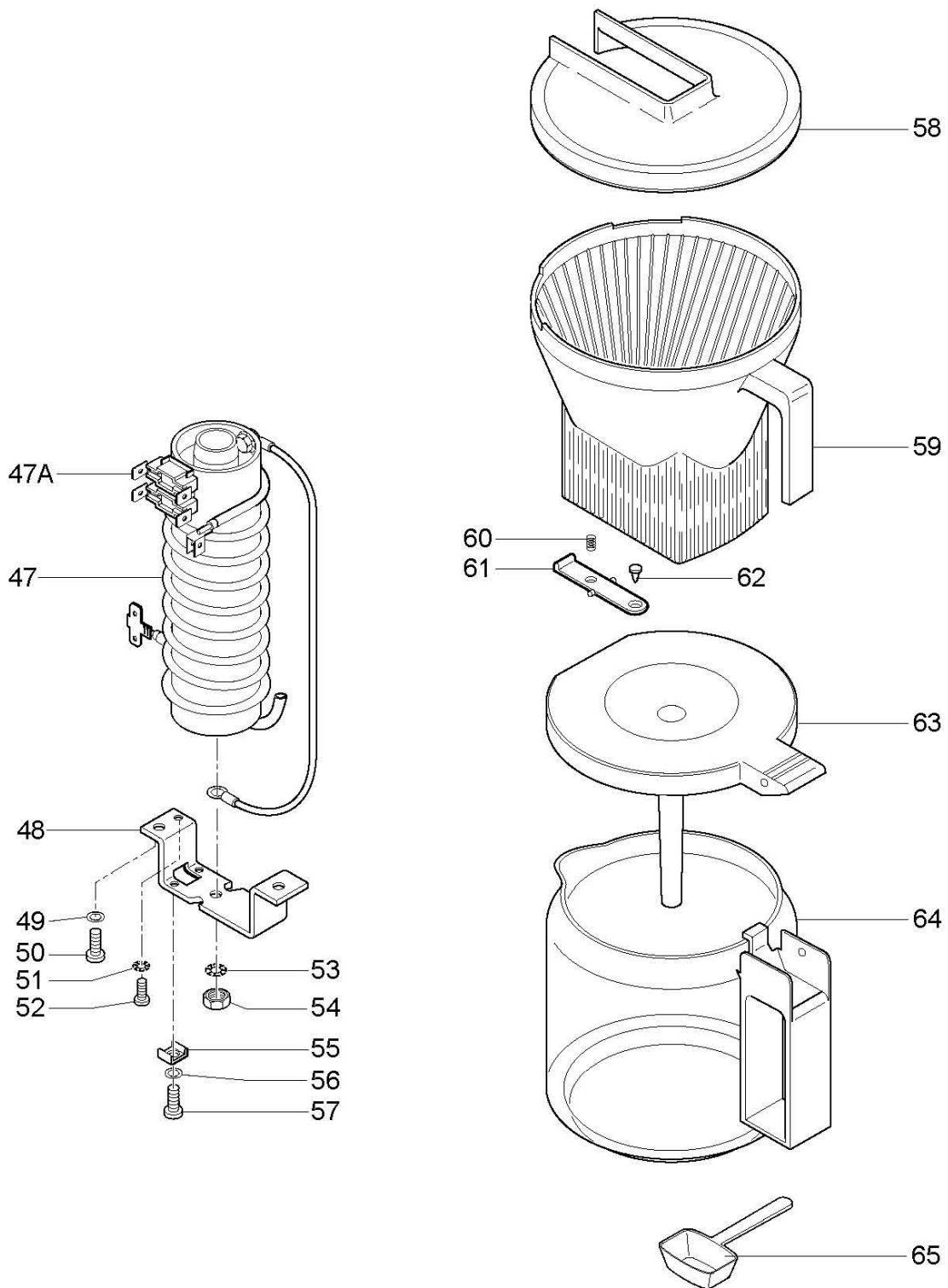
<u>Item.</u>	<u>Description.</u>	<u>Code.</u>
029	Switch illuminated, black,.....	43035
030	Indicating lens, red.....	43671
031	Signal lamp	43670
032	Bottom plate	11345
033	Plastite screw, M3x8	71060
034	Filterbracket, black.....	12602
035	Screw 4,2x32, torx	70029
036	Hotplate, oven enamelled, black.....	52064
037	Hotplate support, black	11415
038	Aluminium disc.....	55410
039	Ptc hotplate element HP-07	41230
040	Tightening spring hotplate element.....	56976
041	Nut, M6.....	72035
042	Earth clip, M6	78151
043	Lock washer, M6	74025
044	Nut, M6.....	72035
045	Speednut.....	78250
046	Handle right, black with feet.....	11715
047	Plastite screw, M3x8	71060
047A	Thermostat / thermofuse combination	46260
047	Boiling element, 1450W-230V	45149
↳	Boiling element, 1200W-230V	45163
↳	Boiling element, 1310W-240V	45163
↳	Boiling element, 1400W-120V	45113
048	Element bracket, assembly (incl.items 55, 56, 57)	51489
049	Lock washer M4	74020
050	Screw M4	70080
051	Lock washer M3	74015
052	Screw M3	73031
053	Lock washer M6	74025
054	Nut M6.....	72035
055	Earth clip	54161
056	Lock washer M4	74020
057	Screw M4x10	71010
058	Filter lid, black	13112
059	Filterholder, black.....	13252
060	Spring.....	56971
061	Closing arm, black	11980
062	Rubber closing pad.....	60070
063	Mixing lid, black.....	13360
064	Jug 1,25ltr.	30201
065	Measuring spoon	88100
↳	Measuring spoon, Norway	88105
↳	Measuring spoon, France, Sweden	88106

KBG-741 electrical diagram





 <p>TECHNI VORM AMERONGEN-HOLLAND</p>	benaming	KBG 741 AO	
	type	Moccamaster	
	datum	augustus 2006	
	getekend	Insight illustr.	controle
	formaat	A4	bladnr. 1
	tek.nr.		



 TECHNI VORM AMERONGEN-HOLLAND	benaming	KBG 741 AO	
	type	Moccamaster	
	datum	augustus 2006	
	getekend	Insight illustr.	controle
	formaat	A4	bladnr. 2
	tek.nr.		

MOCCAMASTER

SPARES LIST FOR KBG 741 "AO"

Item:	Description	Code:
001	Outletpipe complete (incl. 007)	53021
↳	Outletpipe complete (incl. 007), Norway	53055
002	Rubber adapter	60015
003	Screw 4,2x16, stainless steel, torx	70032
004	Rubber sealing washer	61170
005	Float	12235
006	Floathood	54130
007	Rubber closing pad	63011
008	Lid coldwatercontainer, brown	13000
↳	Lid coldwatercontainer, black	13012
↳	Lid coldwatercontainer, white	13015
009	Coldwatercontainer, 10 cups	11010
010	Rubber tube, 185mm	60095
011	Glass tube, 168,5mm	31110
012	Tightening socket	12220
013	Switch pawl	54155
014	Screw M3x16	73000
015	Microswitch 16 Amp	43335
016	Screw 2,9x6,5	73050
017	Fixingplate microswitch	54151
018	Housing, red, 184mm	58526
↳	Housing, silver polished, 184mm	58543
↳	Housing, bronze, 184mm	58559
↳	Housing, white metallic, 184mm	58661
↳	Housing, gold polished, 184mm	58668
↳	Housing, silver, 184mm	58674
↳	Housing, stone/gray, 184mm	58650
↳	Housing, brushed, 184mm	58542
↳	Housing, black metallic, 184mm	58541
019	Handle left, brown with feet (item25)	11701
↳	Handle left, white with feet (item25)	11711
↳	Handle left, black with feet (item25)	11716
020	Sealing ring, brown	11400
↳	Sealing ring, white	11406
↳	Sealing ring, black	11405
021	Base, silver polished	55603
↳	Base, gold polished	55604
↳	Base, silver	55612
↳	Base, silver polished, scale indicator	55618
↳	Base, red	55631
↳	Base, bronze	55636
↳	Base, stone/gray	55651
↳	Base, stone/gray, scale indicator	55652
↳	Base, white metallic, scale indicator	55656
↳	Base, white metallic	55657
↳	Base, brushed	55661
↳	Base, brushed, scale indicator	55662
↳	Base, black metallic,	55667
022	Block terminal	46060
023	Screw 2,9x19	70065
024	Supply cord, 3x0,75 ² , black	44018
↳	Supply cord, 3x0,75 ² , white	44019
↳	Supply cord, 3x0,75 ² , rubber	44022

MOCCAMASTER

SPARES LIST FOR KBG 741 "AO"

Item:	Description	Code:
025	Rubber feet	61150
026	Cord anchorage	78175
027	Screw 3,5x13	70055
028	Switch Tippmatic,	43020
029	Switch illuminated, black,	43021
030	Indicating lens, red	43671
031	Signal lamp	43670
032	Bottom plate	11345
033	Plastite screw, M3x8	71060
034	Filterbracket, black	12602
035	PT screw S4x30, torx	71160
036	Hotplate, oven enamelled, black	52064
037	Hotplate support, black	11415
038	Aluminium disc	55410
039	Ptc hotplate element HP-07	41245
040	Tightening spring hotplate element	56976
041	Nut, M6	72035
042	Earth clip, M6	78151
043	Lock washer, M6	74025
044	Nut, M6	72035
045	Speednut	78250
046	Handle right, black with feet	11715
047	Plastite screw, M3x8	71060
047A	Thermostat / thermofuse combination	46260
047	Boiling element, 1450W-230V	45149
↳	Boiling element, 1200W-230V	45163
↳	Boiling element, 1310W-240V	45163
↳	Boiling element, 1400W-120V	45113
048	Element bracket, assembly (incl.items 55, 56, 57)	51489
049	Lock washer M4	74020
050	Screw 4,2x19	70080
051	Lock washer M3	74015
052	Screw M3	73031
053	Lock washer M6	74025
054	Nut M6	72035
055	Earth clip	54161
056	Lock washer M4	74020
057	Screw M4x10	71010
058	Filter lid, black	13112
059	Filterholder, black	13252
↳	Adjustable filterholder, black, assembly	13193
060	Spring	56971
061	Closing arm, black	11980
062	Rubber closing pad	60070
063	Rubber closing pad	60070
064	Spring	56971
065	Lid, black	13311
066	Mixing lid, black	13380
067	Jug 1,25ltr.	30105
068	Measuring spoon	88104
069	Neckband jug	56940
070	Closing part handle, black	12307
071	Screw part handle, black	12306



the coffeemaker makers.

MOCCAMASTER

SPARES LIST FOR KBG 741 "AO"

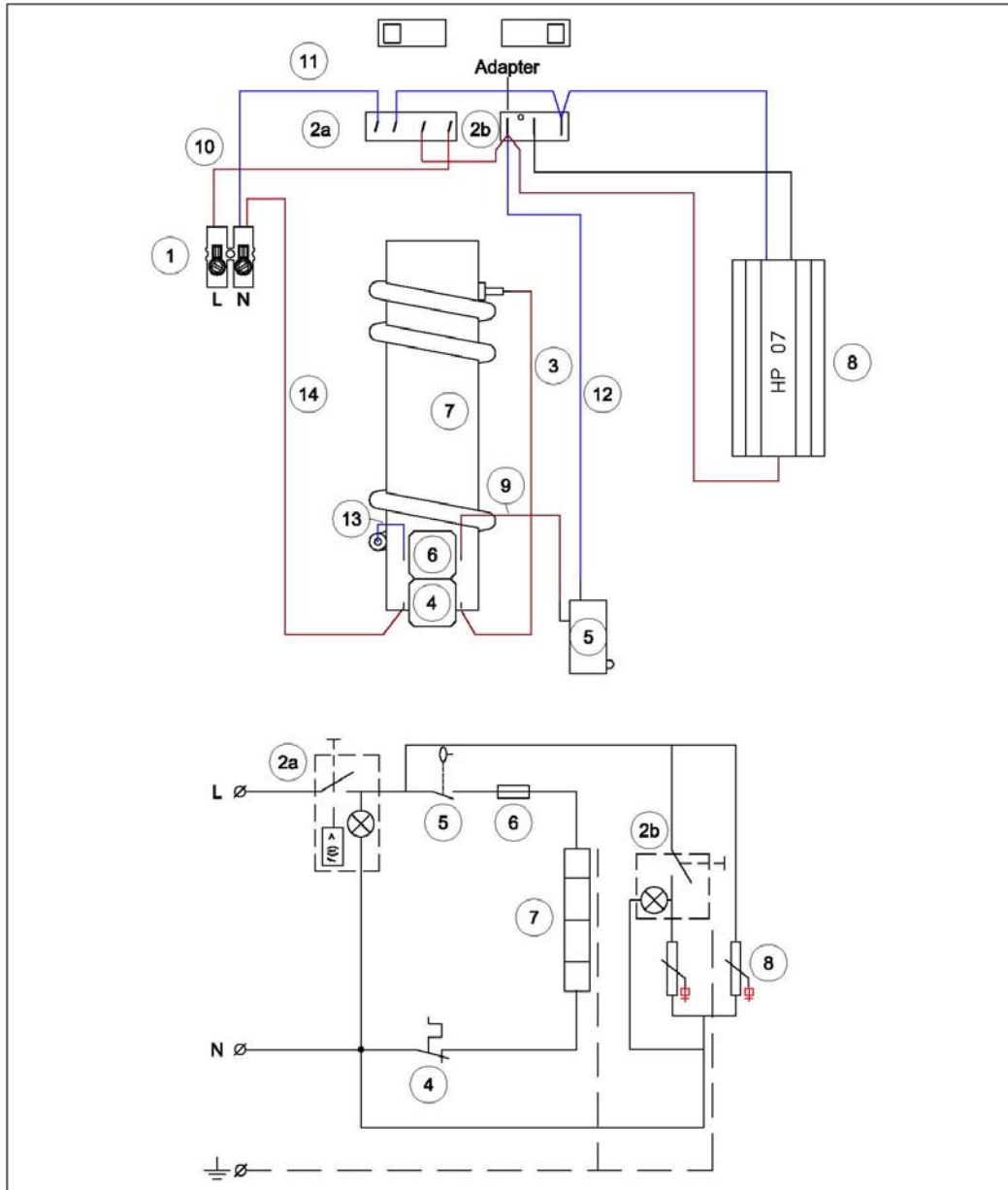
Item:	Description	Code:
072	Handle, black	12305
↳	Handle, white	12325
↳	Handle, brown	12300
073	Screw 3,5x25 stainless steel.....	70020



the coffeemaker makers.

MOCCAMASTER

Electrical diagram 741.80 "AO"



MOCCAMASTER

Industrieweg 20 P.O. box 34
 3958 VR AMERONGEN 3958 ZT AMERONGEN
 Tel: (0343) 453161 Mail: technivorm@tref.nl
 Fax: (0343) 454685 www.technivorm.com

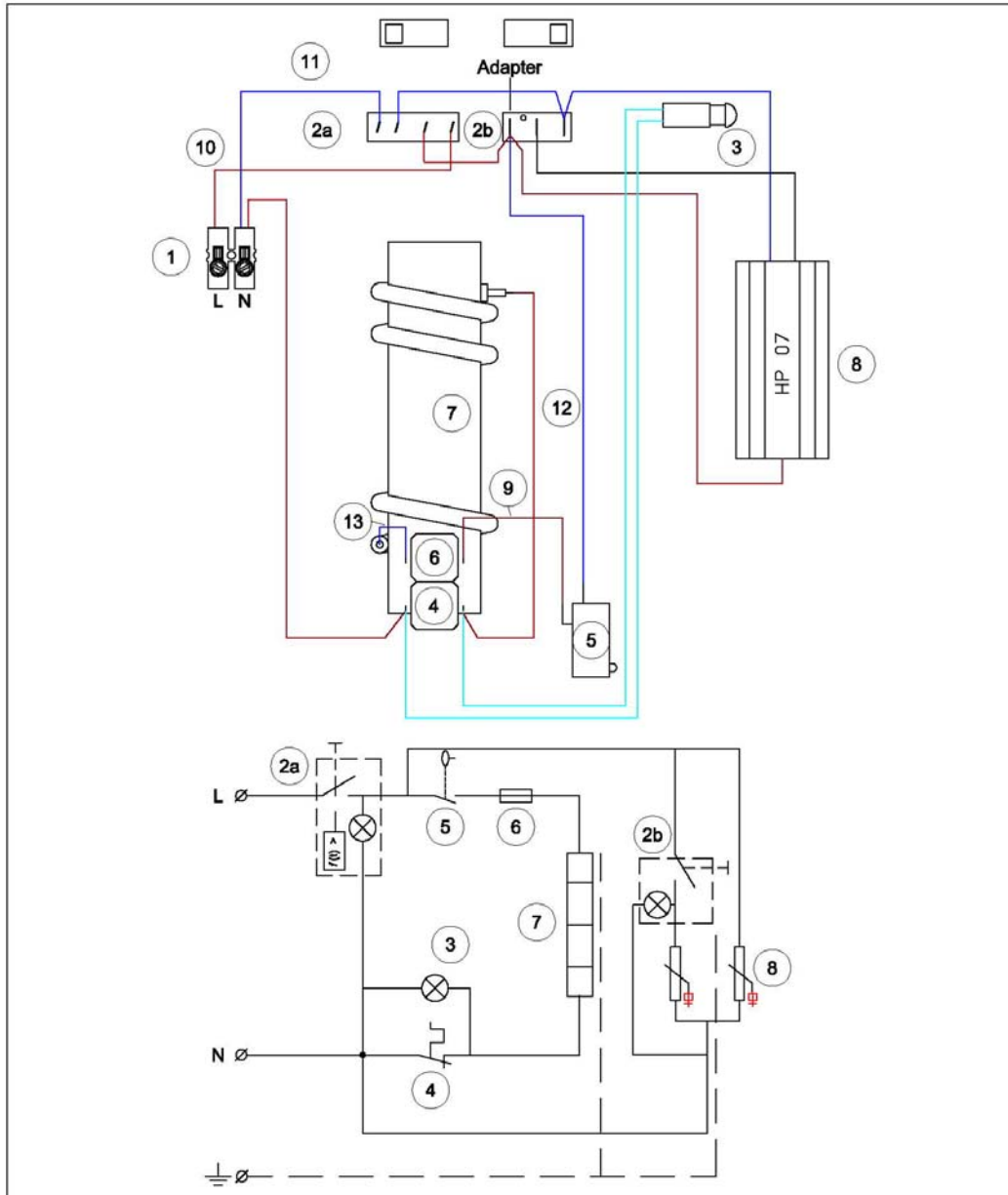
drawn by	EW	date	13-10-2006	revision / modification
checked by	FW	date	13-10-2006	a
format	A4	sheet	1 of 2	b
remark	timer switch 120 min.			c
drawing name	741			drawing number
				74180



the coffeemaker makers.

MOCCAMASTER

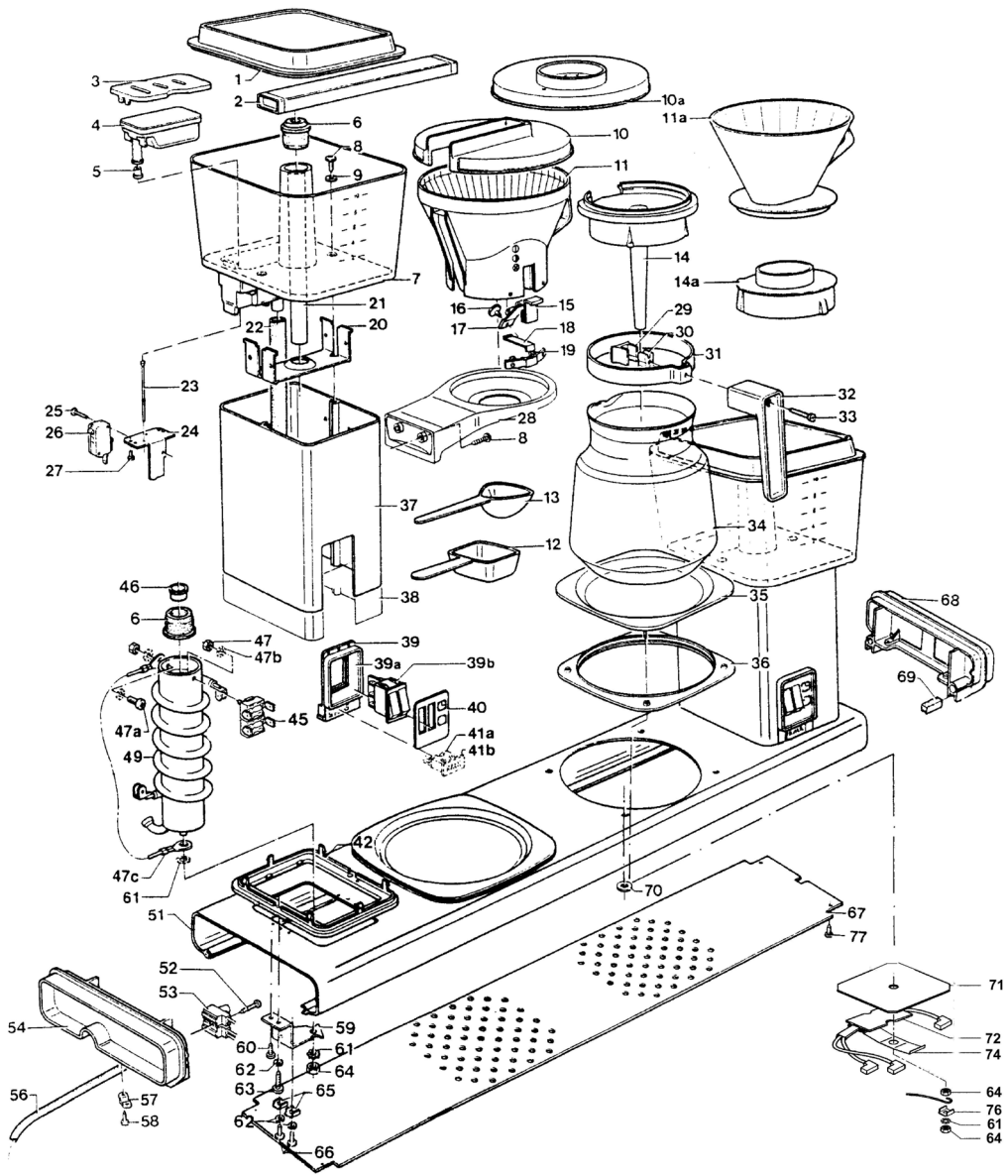
Electrical diagram 741.81 "AO"



MOCCAMASTER

Industrieweg 20 P.O. box 34
 3958 VR AMERONGEN 3958 ZT AMERONGEN
 Tel: (0343) 453161 Mail: technivorm@tref.nl
 Fax: (0343) 454885 www.technivorm.com

drawn by	EW	date	13-10-2006	revision / modification
checked by	FW	date	13-10-2006	a
format	A4	sheet	1 of 2	b
remark	timer switch 120 min.			c
drawing name	741			drawing number
				74181



 AMERONGEN-HOLLAND	benaming	743
	type	KZA 743
	datum	12-05-97
	getekend	TP
	formaat	A4
	tek. nr.	FV-9705-743
	rev.	01-01-2003



the coffeemaker makers.

MOCCAMASTER

SPARES LIST FOR K 743

Item:	Description	Code:
001	Lid, coldwatercontainer, brown	13000
↳	Lid, coldwatercontainer, black	13012
002	Outletpipe, complete (Incl. 007)	53021
↳	Outletpipe Norway, complete (Incl. 007)	53055
003	Float hood, stainless steel.....	54130
004	Float	12235
005	Tightening socket	12220
006	Rubber adapter	60015
007	Coldwater container.....	11010
008	Screw, stainless steel	70032
009	Rubber sealing washer	61190
010	Filter lid, brown	13105
↳	Filter lid, black.....	13112
010a	Filter lid, brown	13125
↳	Filterlid, black	13127
011	Filterholder, brown	13283
↳	Filterholder, black	13293
011a	Filterholder, brown (K743)	13210
↳	Filterholder, black (K743)	13245
012	Measuring spoon	88100
013	Measuring spoon	
014	Mixing lid, brown.....	13370
↳	Mixing lid, black.....	13380
014a	Lid, brown.....	13306
↳	Lid, black	13311
015	Adjustable knob, brown.....	11930
↳	Adjustable knob, black	11940
016	Rubber closing pad.....	60070
017	Closing arm, brown.....	11960
↳	Closing arm, black	11970
018	Spring.....	56971
019	Springholder, brown.....	11900
↳	Springholder, black.....	11910
020	Fixing bracket.....	56601
021	Glass tube (K743), 133,5mm.....	31080
022	Rubber tube (K743), 155mm	60110
023	Switch pawl.....	54155
024	Fixationplate micro-switch.....	54151
025	Screw, M3x16	73000
026	Microswitch,	43340
↳	Microswitch, 16Amp. complete (Incl. 12,15,16)	43341
027	Screw 2,9x9,5.....	73050
028	Filterbracket (not present on K743)	12790
029	Connection part handle, brown.....	12302
↳	Connection part handle, black	12307
030	Screw part handle, brown.....	12301
↳	Screw part handle, black.....	12306
031	Neckband coffeejug.....	56940
032	Handle coffeejug, brown	12300
↳	Handle coffeejug, black.....	12305
033	Screw 3,5x25 stainless steel	70020
034	Jug (glass only)	30105
035	Hotplate, oven enamelled, brown.....	52062
↳	Hotplate, oven enamelled, black	52064
↳	Hotplate, chromium	52060



the coffeemaker makers.

MOCCAMASTER

SPARES LIST FOR K 743

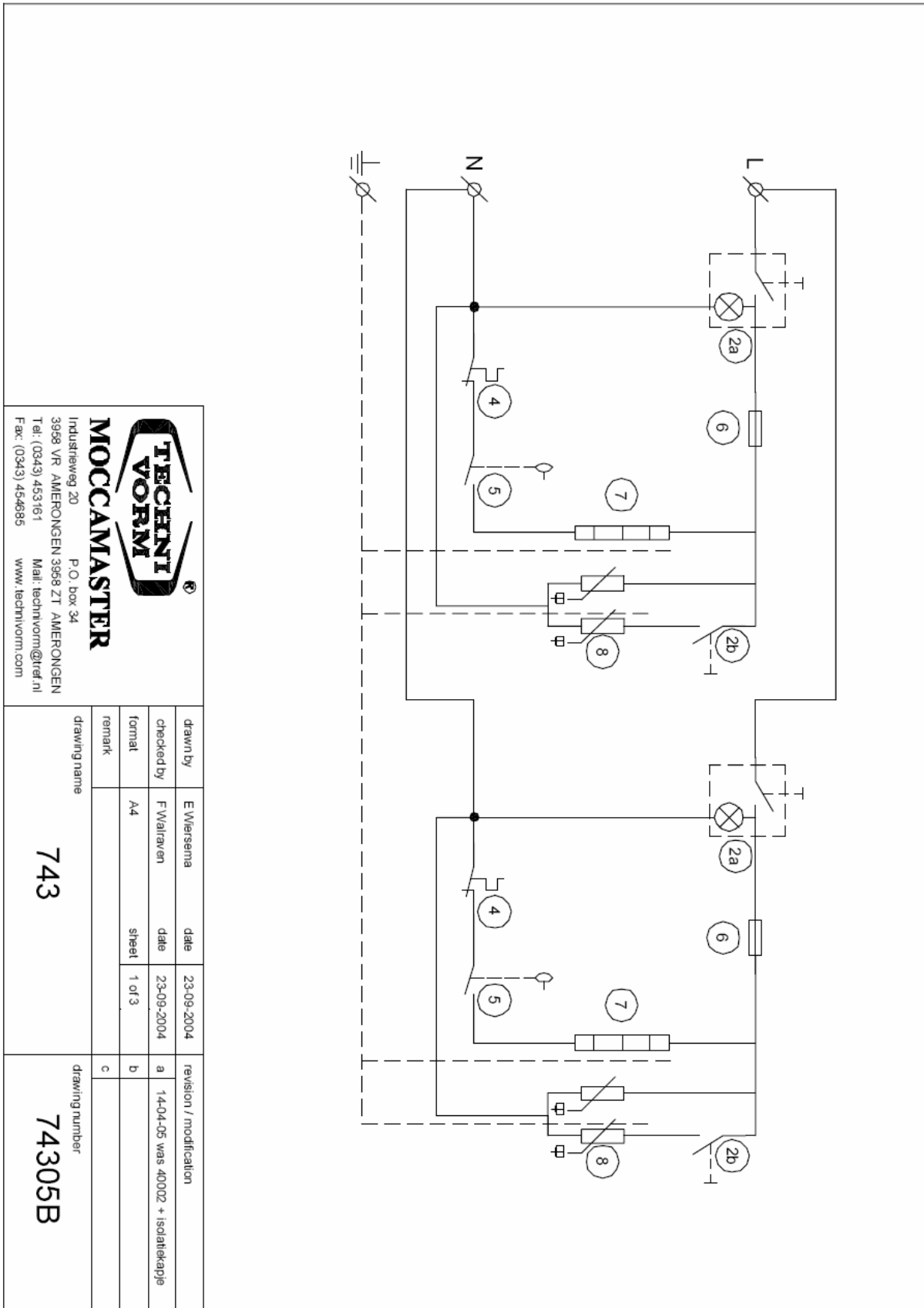
Item:	Description	Code:
036	Hotplate support, brown	11410
↳	Hotplate support, black.....	
037	Housing, gold (K743).....	55505
↳	Housing, polished silver (K743)	55510
039	Switch housing, brown	11200
↳	Switch housing, black.....	11215
039b	Switch	43001
040	Switch sticker, silver brown	82060
↳	Switch sticker, silver black	82065
042	Sealing ring, brown.....	11400
↳	Sealing ring, black.....	11405
045	Thermostat/thermo-fuse combination	46265
046	Copper tube.....	51030
047	Nut M4	72015
047a	Screw M4x8.....	71044
047b	Toothed washer, part of 047a	
049	Boiling element, 1450W/230V	45149
051	Base plate 743, gold.....	55245
↳	Base plate 743, polished silver	55243
052	Screw 2.9x19.....	70065
053	Block terminal.....	46060
054	Handle left, brown	11701
↳	Handle left, black.....	11716
056	Flex with plug, 3x 1,5mm, grey	44080
↳	Flex with plug, 3x 1,5mm, black	44085
057	Cord anchorage.....	78175
058	Screw 3,5x13.....	70055
059	Elementbracket (incl. 62, 65, 66)	51489
060	Screw M3x6.....	73031
061	Toothed washer M6.....	74025
062	Spring washer M4	74020
063	Screw 4,2x19.....	70081
064	Nut M6x5	72035
065	Tightening clip	54161
066	Screw M4x10.....	70012
067	Bottom plate	11355
068	Handle right, brown	11700
↳	Handle right, black.....	11715
069	Rubber feet.....	61150
070	Speednut	78250
071	Aluminium disc	55410
072	Ptc hotplate element, HP 07	41237
074	Tightening spring hotplate element.....	56976
075	Earthwire, 450mm	40515
076	Earth clip, M6	78151
077	Plastite screw, M3x8	71060



the coffemaker makers.

MOCCAMASTER

K 743 electrical diagram

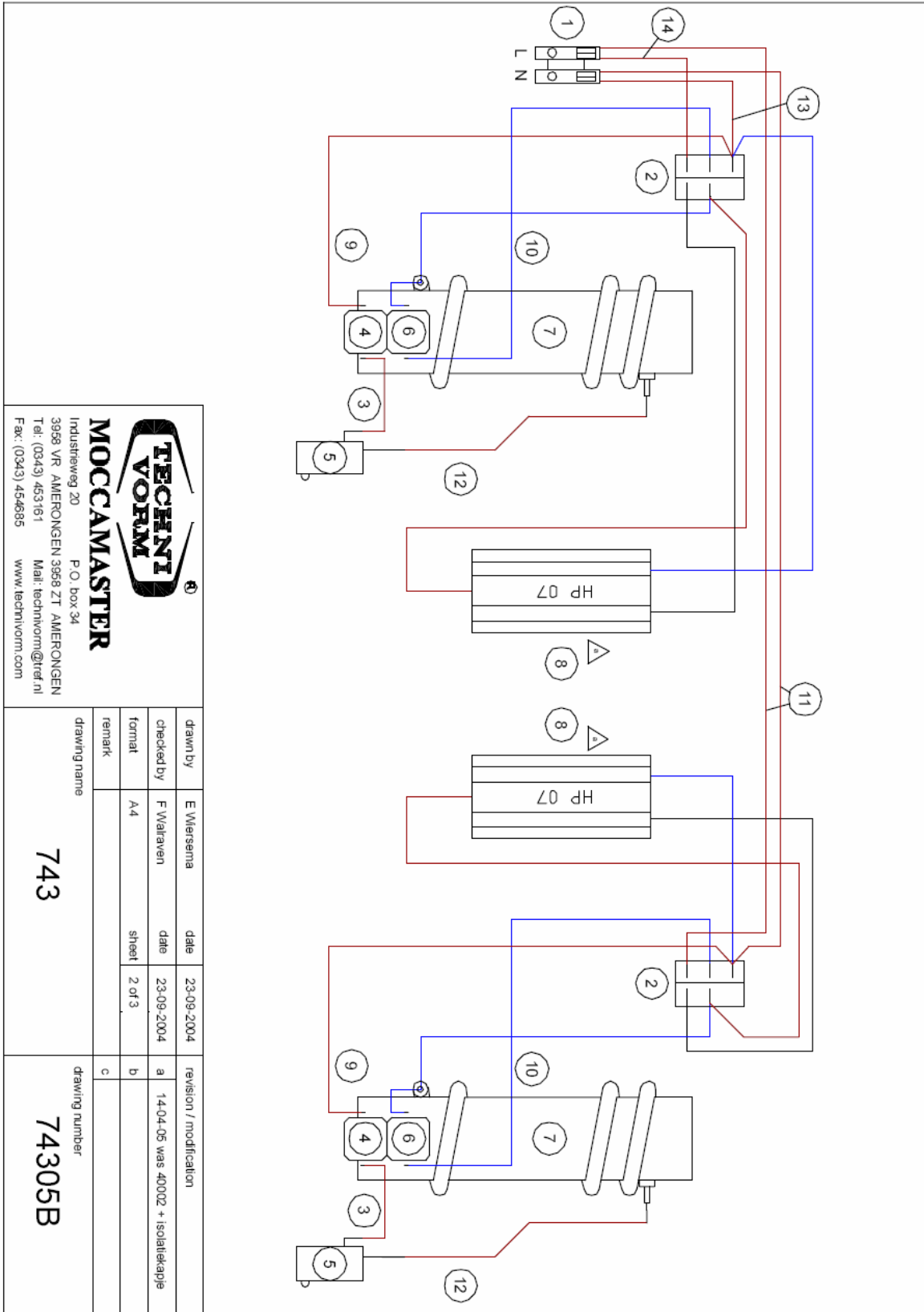


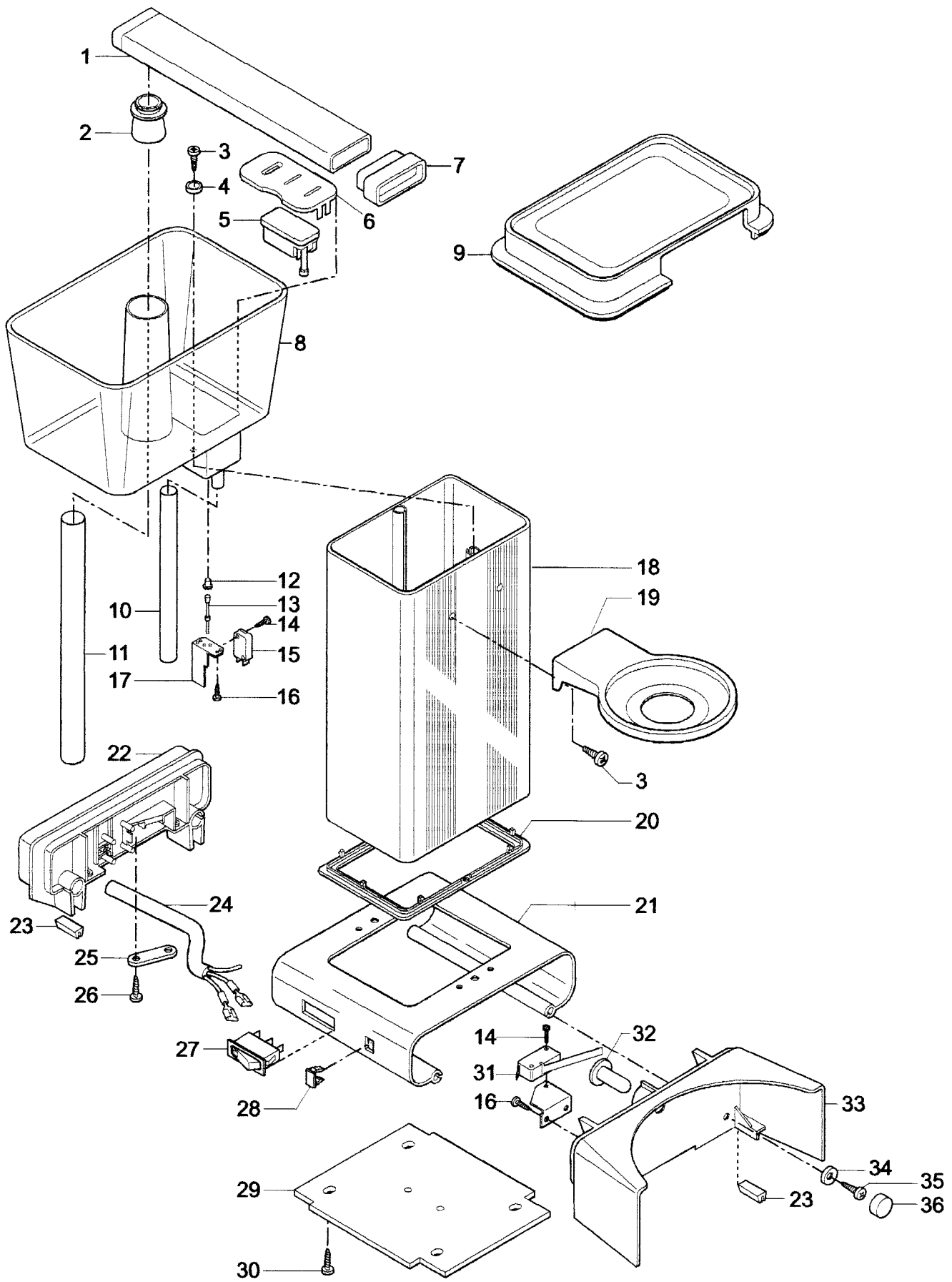



the coffemaker makers.

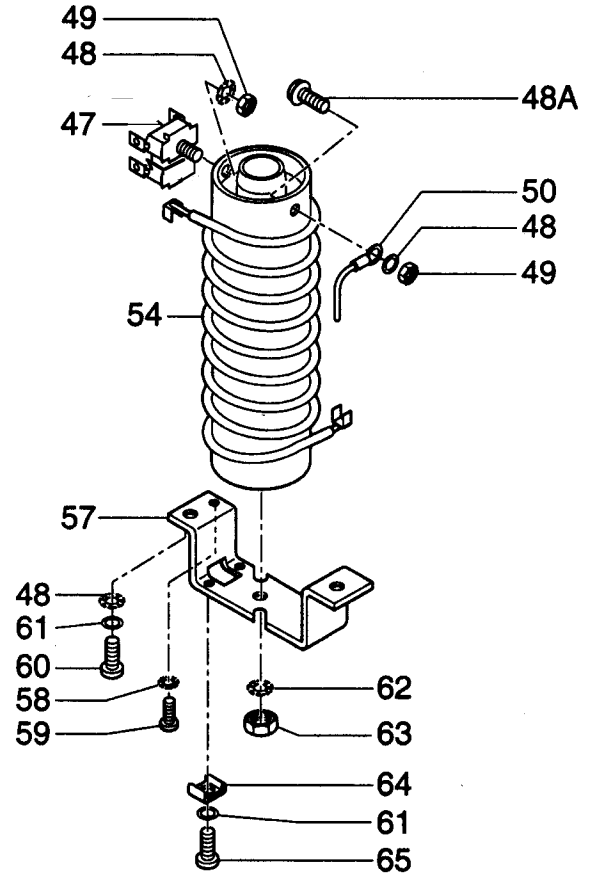
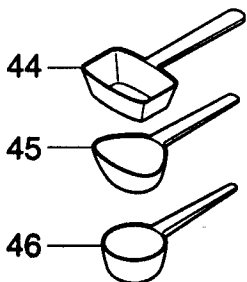
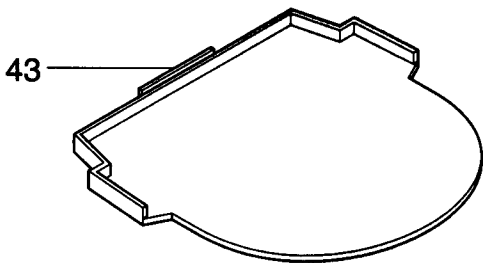
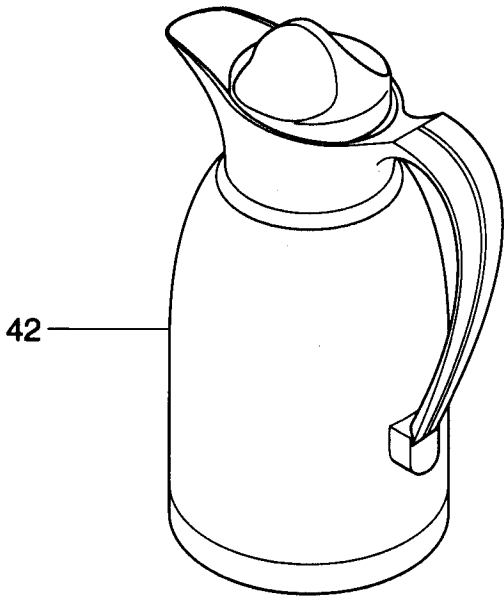
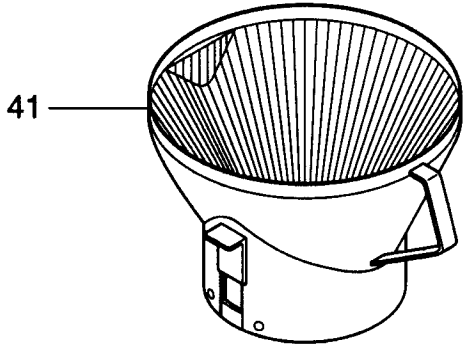
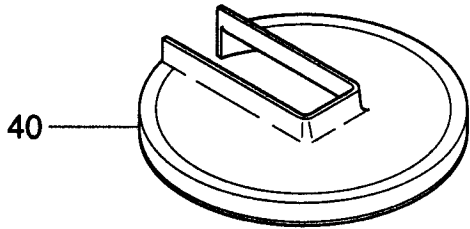
MOCCAMASTER


K 743 electrical diagram





 <p>TECHNI VORM AMERONGEN - HOLLAND</p>	benaming	KB 741 Thermos
	type	1,25 liter
	datum	Januari 2001
	getekend	controle
	formaat	bladnr.
	tek.nr.	



 TECHNI VORM AMERONGEN - HOLLAND	benaming	KB 741 Thermos	
	type	1,25 liter	
	datum	januari 2001	
	getekend		controle
	formaat		bladnr.
	tek.nr.		



the coffeemaker makers.

MOCCAMASTER

SPARES LIST FOR KBT-741

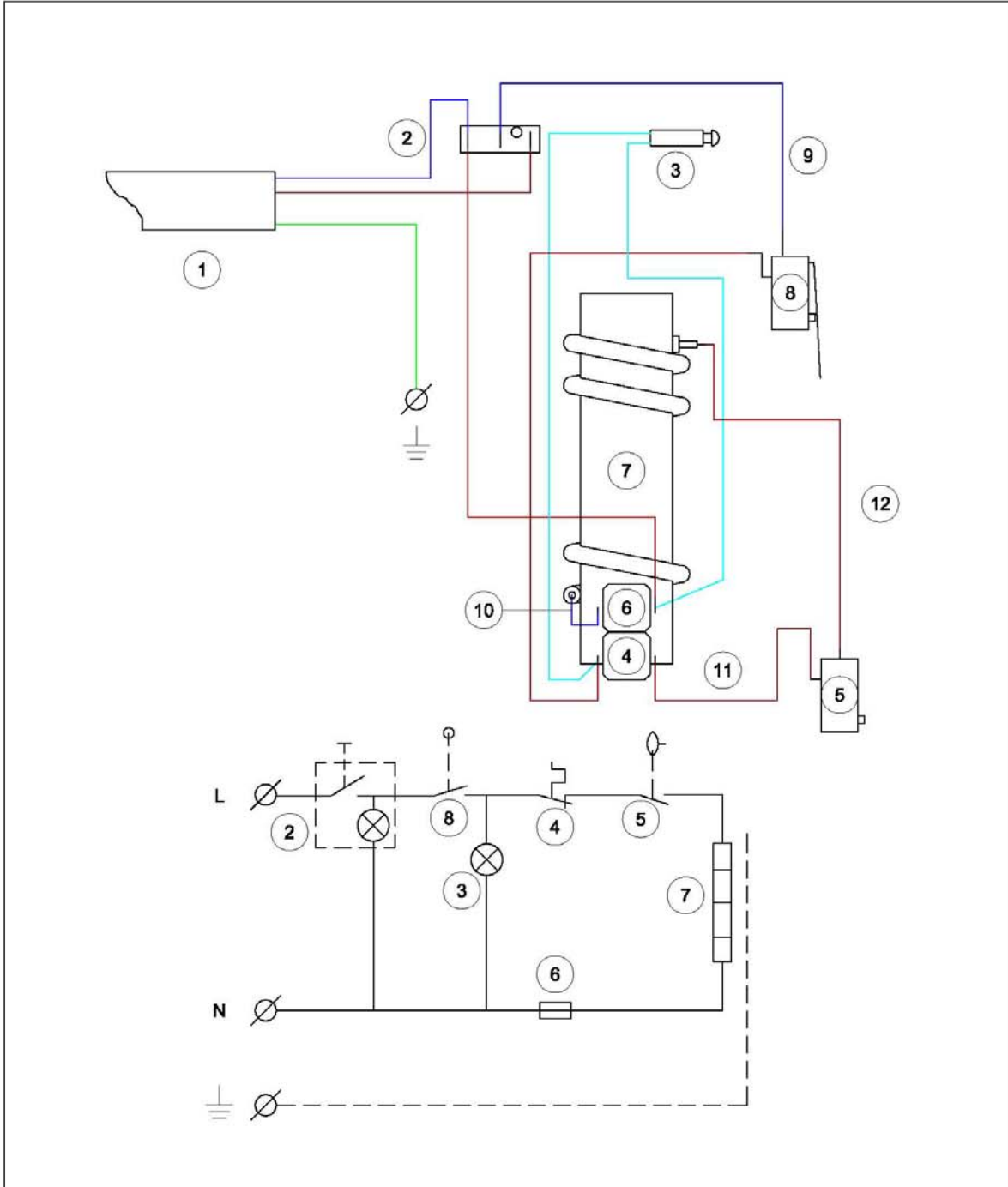
Item:	Description	Code:
001	Outlet pipe complete (incl. 007)	53021
↳	Outlet pipe complete (incl. 007) (Norway).....	53055
002	Rubber adapt.....	60010
003	Taptite M4x6.....	71017
004	Rubber sealing washer	61170
005	Float	12235
006	Float hood	54130
007	Rubber closing pad	63011
008	Cold water container, 10 cups (Norway)	11010
↳	Barrier (CSA us)	11305
009	Lid cold water container, black.....	13012
010	Rubber tube, 217mm.....	60092
011	Glass tube, 194,5mm	31140
012	Tightening socket	12220
013	Switch pawl	54155
014	Screw M3x16.....	73000
015	Micro switch.....	43335
↳	Micro switch (CSA us)	43330
016	Screw 2.9x6.5.....	73050
017	Fixing plate micro switch	54151
018	Housing, silver polished	58780
↳	Housing, black.....	58781
↳	Housing, stone gray	58788
019	Filter bracket.....	12796
020	Sealing ring, black.....	11405
021	Base, silver polished	55350
↳	Base, black.....	55351
↳	Base, stone gray	55348
022	Handle left, black, with feet (incl. 023)	11716
↳	Handle left, black with feet (item23) (CSA-us)	11706
023	Rubber feet.....	61150
024	Supply cord with terminals, 3x0,75, black.....	44346
↳	Supply cord with terminals, 3x0.75 GB	44323
↳	Supply cord, 3x 16 AWG 105°C.....	44324
↳	Supply cord 3x1 AUS	44325
025	Cord anchorage.....	78175
↳	Cord anchorage (CSA us).....	78177
026	Screw 3,5x13.....	70055
027	Illuminated switch, black.	43035
028	Indicating lens, orange	43669
↳	Indicating lens, red	43671
↳	Signal lamp.....	43670
↳	Signal lamp (CSA us).....	43648
029	Bottom plate	11369
030	Screw M3x8.....	71060
031	Micro switch 10 Amp.	43338
032	Operation knob.....	16650
033	Front handle with feet, black	11132
↳	Front handle with feet, black (CSA us).....	11133
034	Cap ring.....	12331
035	Screw 4,2x13.....	70040
036	Cap.....	12332
040	Filter lid, black	13112
041	Adjustable filter holder, black, assembly	13193
042	Thermos jug 1.5 litre.....	30520


MOCCAMASTER

SPARES LIST FOR KBT-741

Item:	Description	Code:
↳	Lid thermos jug.....	30550
↳	Thermos jug "Moccamaster"	30525
↳	Lid thermos jug "Moccamaster".....	30526
↳	Sealing ring thermos jug "Moccamaster"	30527
↳	Brew Through Lid.....	30528
043	Feet plate	16700
044	Measuring spoon.....	88104
045	EXPIRED.....	
046	EXPIRED.....	
047	Thermostat- / Thermo fuse combination.	46265
048	Lock washer M4	74010
048A	Screw with lock washer	71044
049	Nut M4.....	72020
050	Earth wire, 200mm	40565
054	Boiling element, 1450W-230V	45149
↳	Boiling element, 1400W-120V.....	45113
↳	Boiling element, 1310W-240V.....	45163
057	Element bracket assembly (Incl. 61, 64, 65).....	51489
058	Lock washer M3	74015
059	Screw M3x10.....	73030
060	Screw 4,2x19.....	70080
061	Lock washer M4	74020
062	Lock washer M6	74025
063	Nut M6x15	72035
064	Tightening clip	54161
065	Screw M4x10.....	71010

Electrical diagram KBT-741



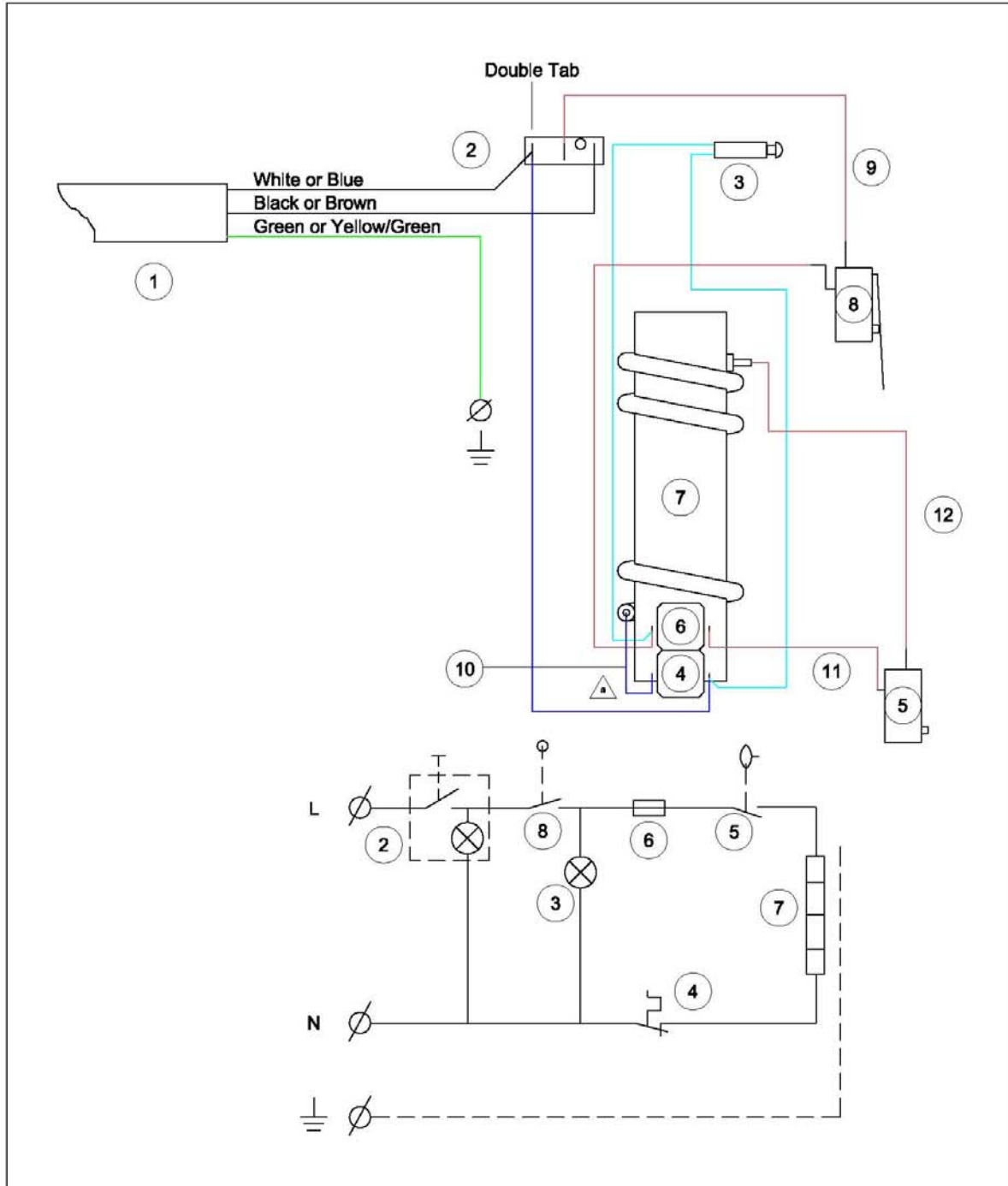
 MOCCAMASTER Industrieweg 20 P.O. box 34 3958 VR AMERONGEN 3958 ZT AMERONGEN Tel: (0343) 453181 Mail: technivorm@tref.nl Fax: (0343) 454685 www.technivorm.com	drawn by	E Wiersema	date	10-05-2005	revision / modification
	checked by	F Walraven	date	10-05-2005	a
	format	A4	sheet	1 of 2	b
	remark				c
	drawing name	741 Thermo			drawing number



the coffemaker makers.

MOCCAMASTER

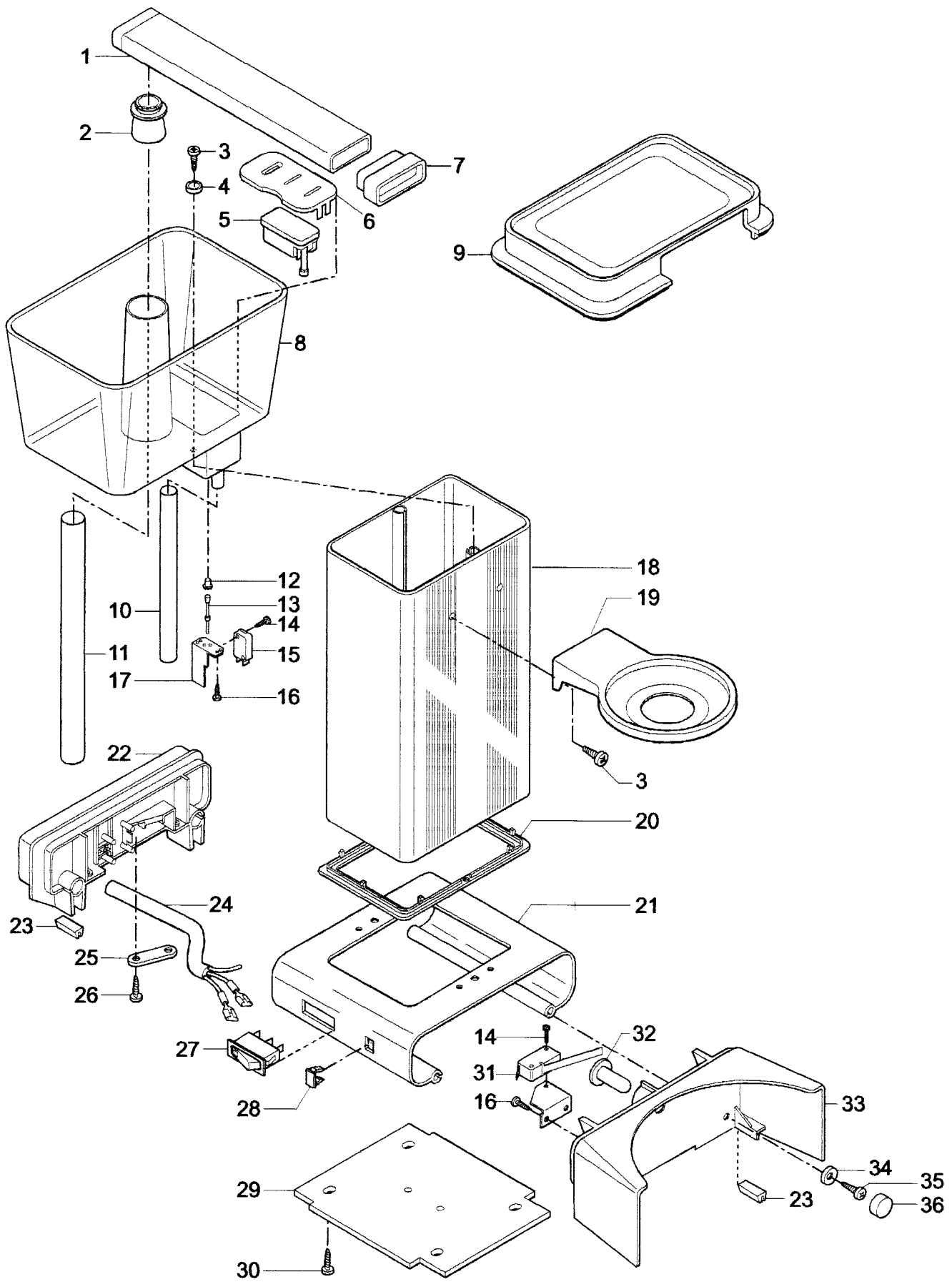
Electrical diagram KBT-741 CSA us




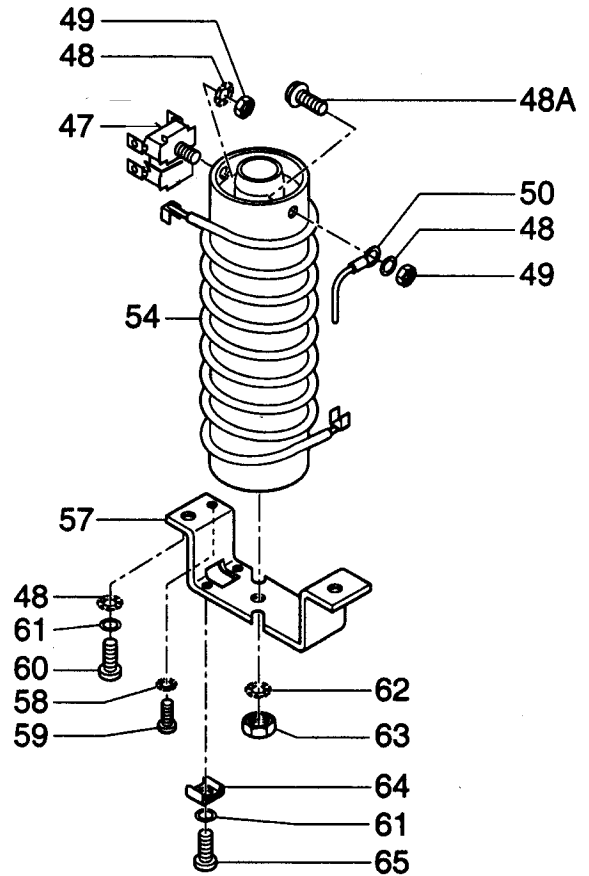
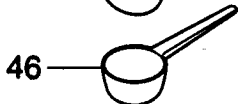
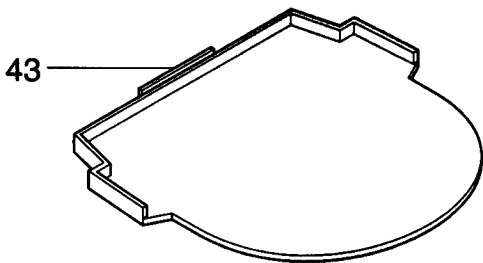
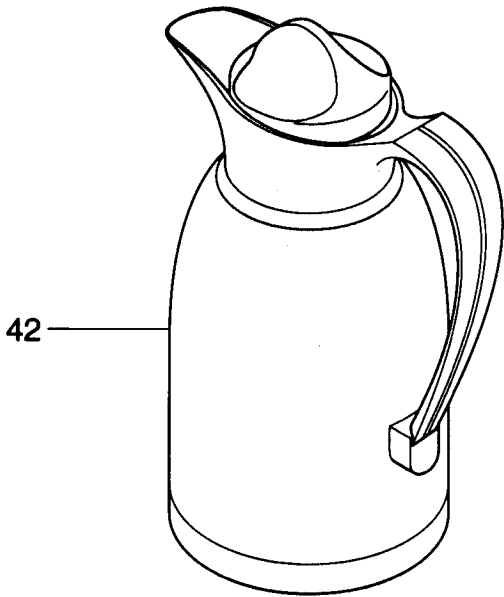
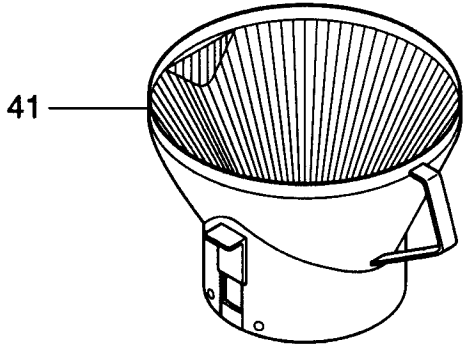
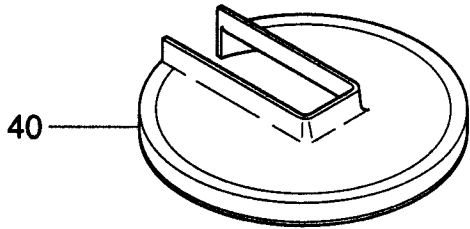
MOCCAMASTER


Industrieweg 20 P.O. box 34
 3958 VR AMERONGEN 3958 ZT AMERONGEN
 Tel: (0343) 453181 Mail: technivorm@tref.nl
 Fax: (0343) 454685 www.technivorm.com

drawn by	E. Wiersema	date	25-08-2004	revision / modification
checked by	F. Walraven	date	25-08-2004	a Aansi. Microtemp./Th.staat verwisseld
format	A4	sheet	1 of 2	b
remark	120V (UL)			c
drawing name			drawing number	
741 Thermo 120V			74103A	



 AMERONGEN - HOLLAND	benaming	KB 741 Thermos	
	type	1,25 liter	
	datum	januari 2001	
	getekend		controle
	formaat		bladnr.
	tek.nr.		



 AMERONGEN - HOLLAND	benaming	KB 741 Thermos	
	type	1,25 liter	
	datum	januari 2001	
	getekend		controle
	formaat		bladnr.
	tek.nr.		



the coffeemaker makers.

MOCCAMASTER

SPARES LIST FOR KBTS-741

Item:	Description	Code:
001	Outlet pipe complete (incl. 007).....	53021
↳	Outlet pipe complete (incl. 007) (Norway).....	53055
002	Rubber adapt	60010
003	Screw 4,2x16, stainless steel, torx.....	70032
004	Rubber sealing washer	61170
005	Float.....	12235
006	Float hood	54130
007	Rubber closing pad	63011
008	Cold water container, 8 cups	11031
009	Lid cold water container, black	13012
010	Rubber tube, 175mm	60100
011	Glass tube, 144,5mm	31095
012	Tightening socket	12220
013	Switch pawl.....	54155
014	Screw M3x16.....	73000
015	Micro switch 16Amp.	43335
↳	Micro switch 16Amp. (incl. 014, 015, 017).....	43336
016	Screw 2.9x6.5.....	73050
017	Fixing plate micro switch.....	54151
018	Housing, silver polished.....	58770
019	Filter bracket.....	12795
020	Sealing ring, black.....	11405
021	Base, silver polished.....	55350
022	Handle left, black, with feet (incl. 023).....	11716
023	Rubber feet.....	61150
024	Supply cord with terminals, 3x1, black	44346
↳	Supply cord with terminals, 3x0.75 GB.....	44323
↳	Supply cord 3x18 AWG UL USA	44324
↳	Supply cord 3x1 AUS	44325
025	Cord anchorage	78175
026	Screw 3,5x13.....	70055
027	Illuminated switch, black	43035
028	Indicating lens, orange.....	43669
↳	Indicating lens, red	43671
↳	Signal lamp.....	43670
029	Bottom plate	11369
030	Screw M3x8.....	71060
031	Micro switch 10 Amp.	43338
032	Operation knob	16650
033	Front handle with feet, black	11131
034	Cap ring.....	12331
035	Screw 4,2x13.....	70040
036	Cap	12332
040	Filter lid, black.....	13112
041	Adjustable filter holder, black, assembly.....	13193
042	Thermos jug 1.0 litre.....	30530
043	Feet plate	16700
044	Measuring spoon.....	88100
045	Measuring spoon, Norway	88105
046	Measuring spoon, Sweden, France	88106
047	Thermostat- / Thermo fuse combination.....	46265
048	Lock washer M4.....	74010
048A	Screw with lock washer	71044
049	Nut M4	72020
050	Earth wire, 200mm	40565



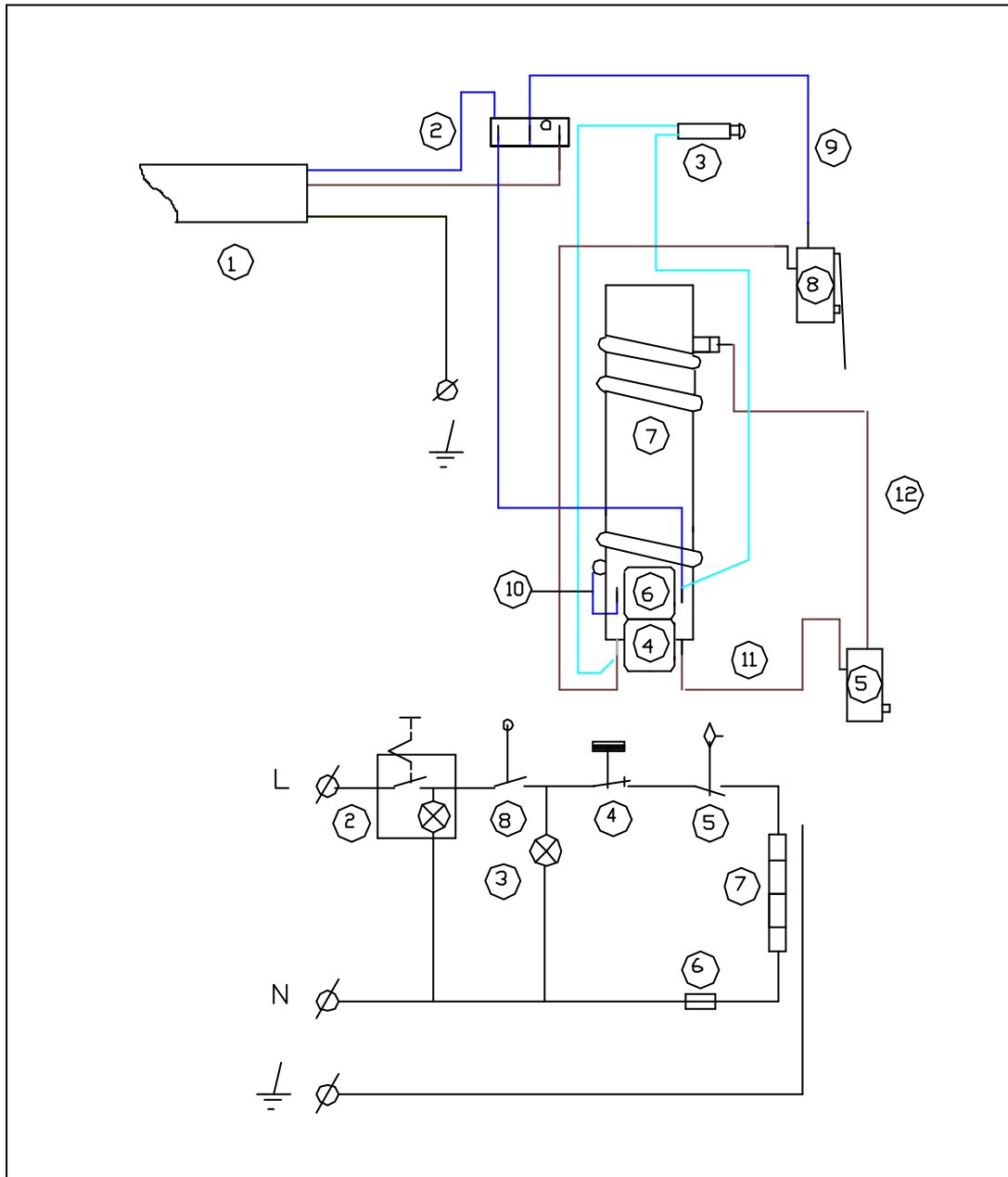
the coffeemaker makers.

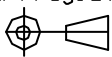
MOCCAMASTER

SPARES LIST FOR KBTS-741

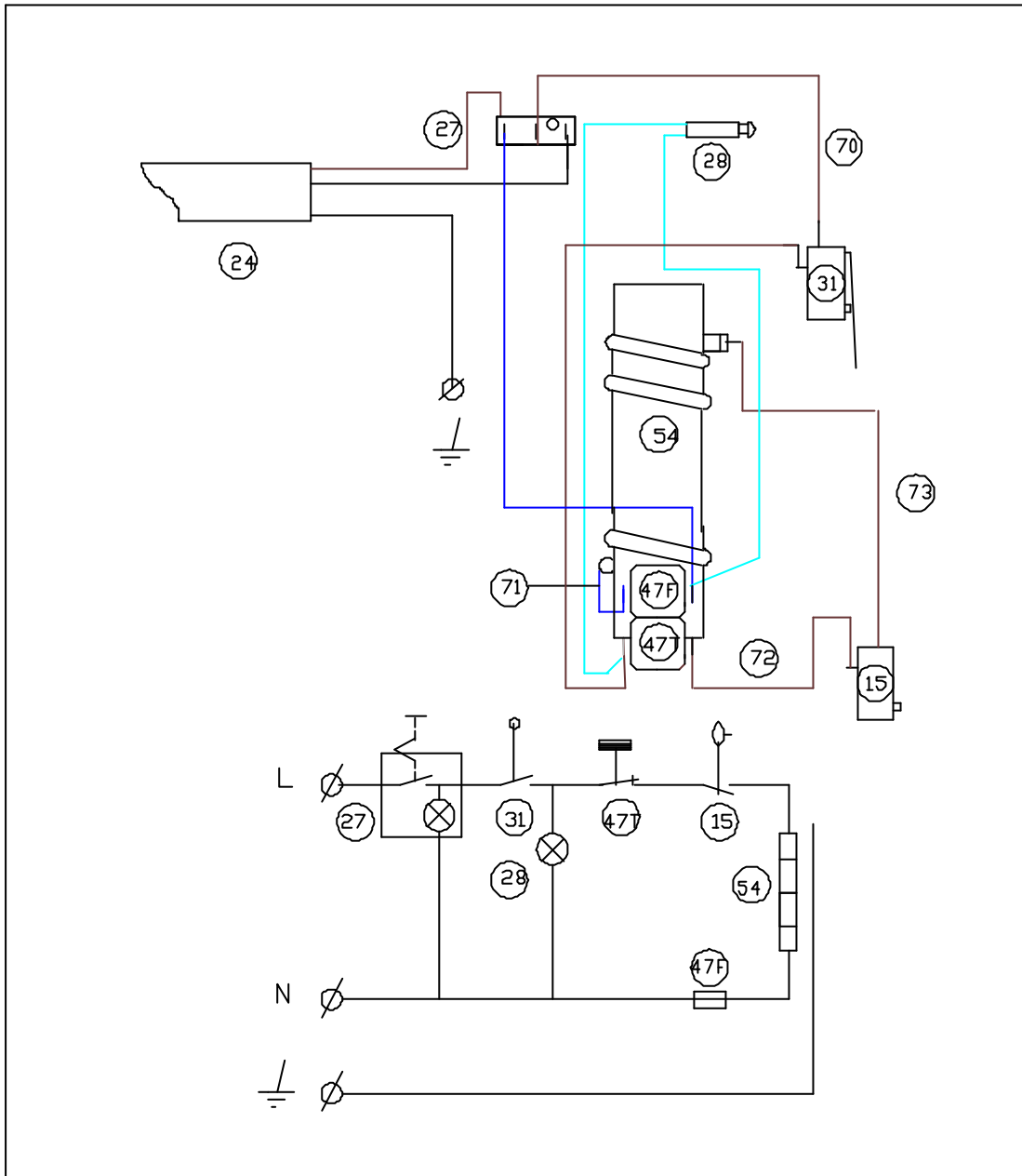
Item:	Description	Code:
054	Boiling element, 1450W-230V	45149
↳	Boiling element, 1400W-120V	45113
↳	Boiling element, 1310W-240V	45163
057	Element bracket assembly (Incl. 61, 64, 65).....	51489
058	Lock washer M3	74015
059	Screw M3x10.....	73030
060	Screw 4,2x19.....	70080
061	Lock washer M4	74020
062	Lock washer M6	74025
063	Nut M6x15.....	72035
064	Tightening clip.....	54161
065	Screw M4x10.....	71010

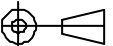
KBTS-741 electrical diagram



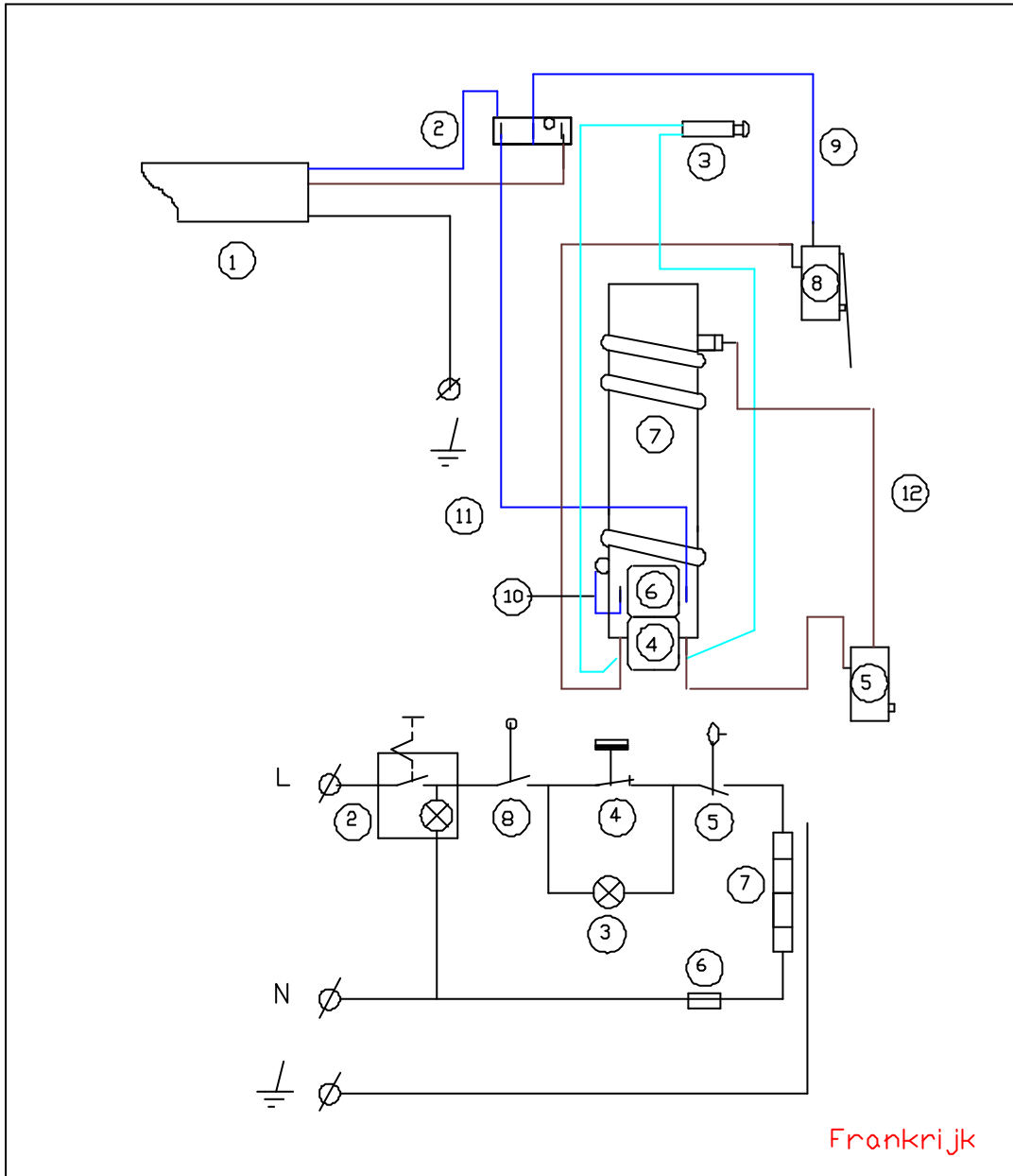
stuk	aan-	benaming	materiaal	normaanduiding	opmerking
	ruwheid	maattoleranties			vorm- en plaatstol.
Am. Projectie		Schaal: nvt	Getekend: F Walraven		Opmerkingen:
		Maateenheid: nvt	Afdeling: R&D		*Rev.A 01-2001
		Datum: 29-6-99	Gezlen:		
TECHNIVORM BV Amerongen Holland		Benaming: 741 THERMO		Nummer: 74102A-1	A4

KBTS-741 electrical diagram

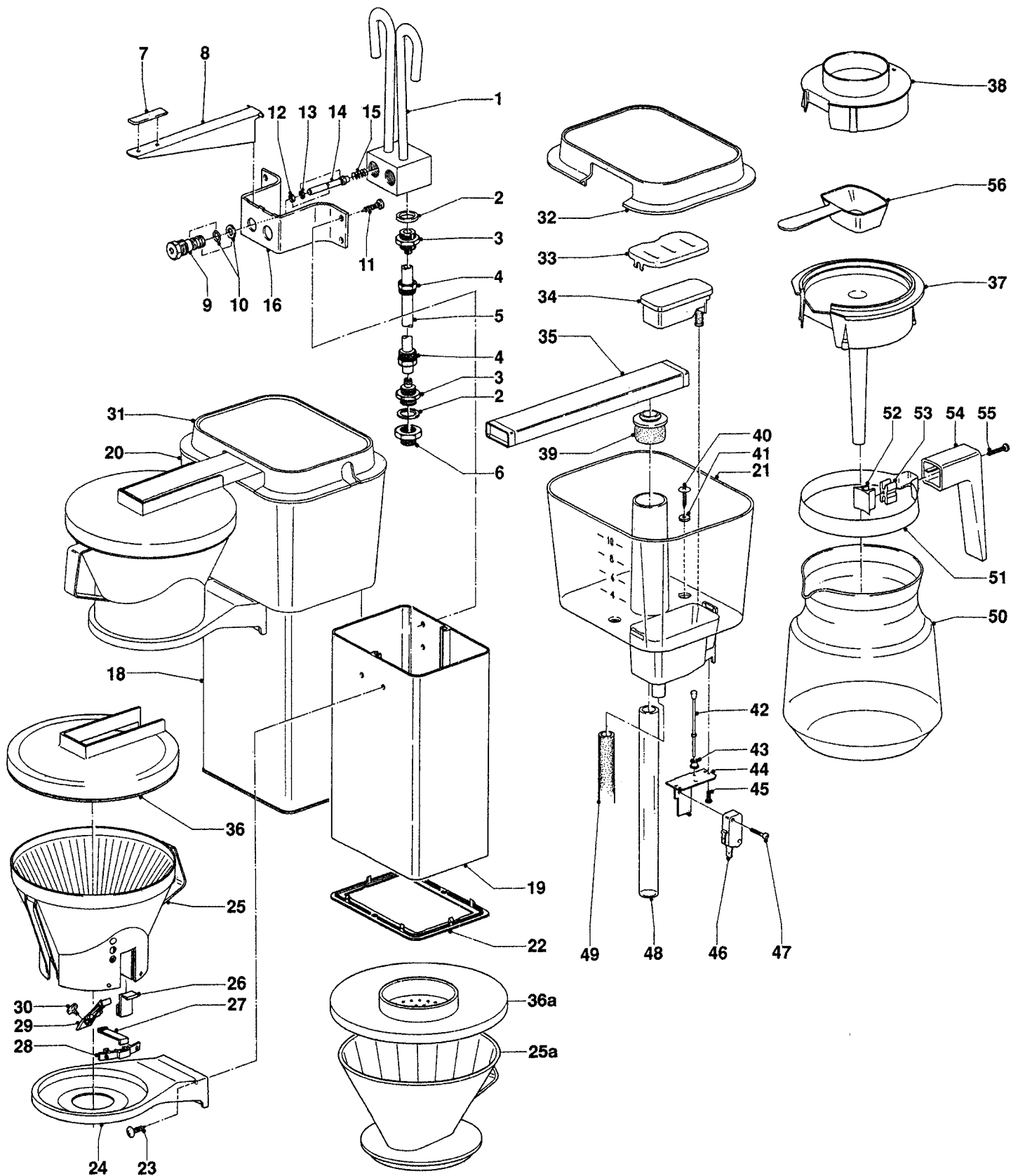



stuk	aan-	benaming	materiaal	normaanduiding	opmerking
	ruwheid	maattoleranties			vorm- en plaatstol.
Am. Projectie 	Schaal:	nvt	Getekend:	F Walraven	Opmerkingen: UL
	Maateenheid:	nvt	Afdeling:	R&D	
	Datum:	02-02-2000	Gezien:		
TECHNIVORM BV Amerongen Holland		Benaming:	741 THERMO		Nummer: 74103A-1
					A4

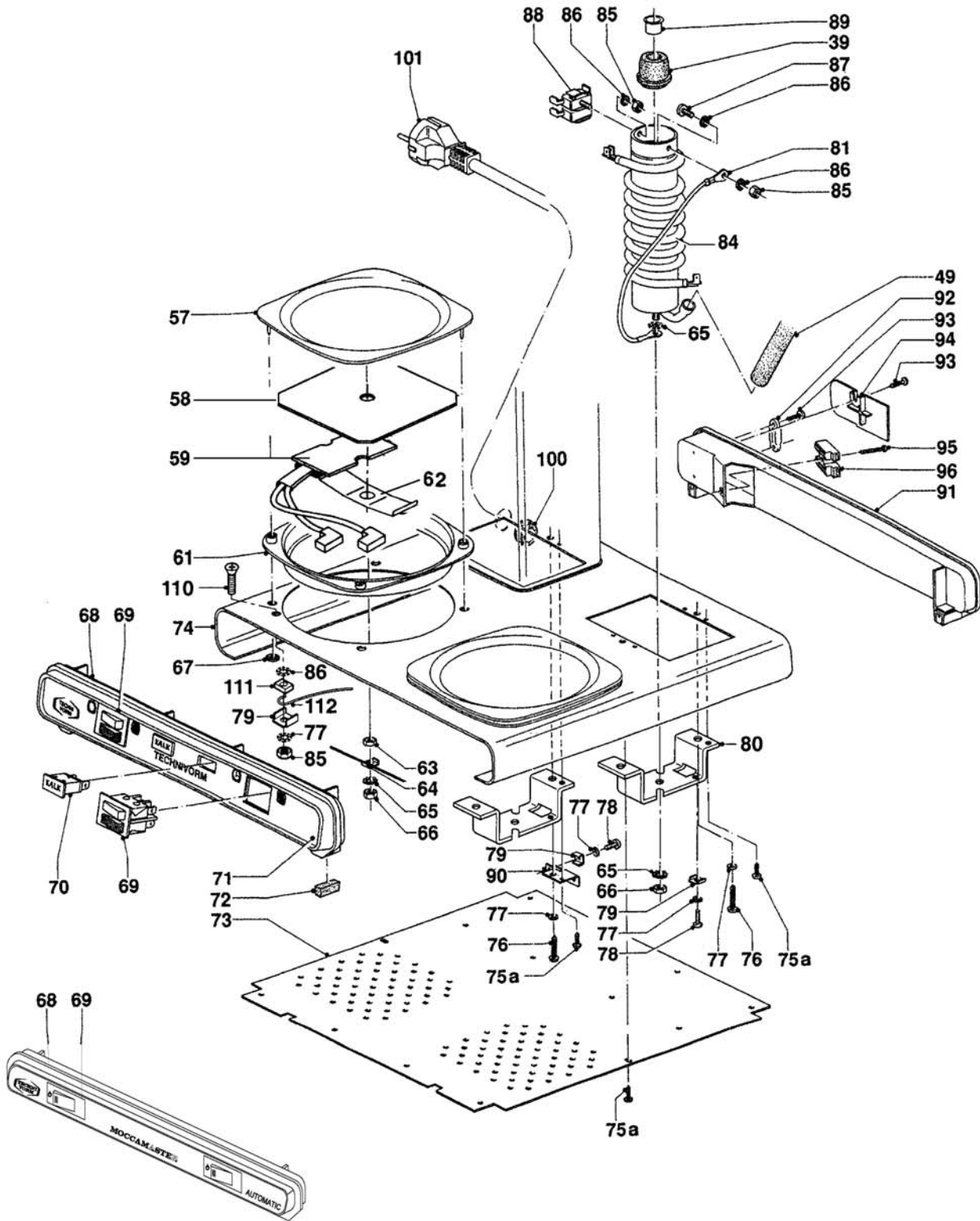
KBTS-741 electrical diagram



stuk	aan-	benaming	materiaal	normaanduiding	opmerking
	ruwheid	maattoleranties			vorm- en plaatstol.
Am. Projectie		Schaal: nvt	Getekend: F Walraven		Opmerkingen:
		Maateenheid: nvt	Afdeling: R&D		*Rev.A 01-2001
		Datum: 29-6-99	Gezien:		
TECHNIVORM BV Amerongen Holland		Benaming: 741 THERMO		Nummer: 74104A-1	A4



 TECHNI VORM AMERONGEN-HOLLAND	benaming	KB 744	
	type		
	datum	januari 2004	
	getekend	Ins. ill.	controle
	formaat	A4	bladnr. 1
	tek.nr.		



 <p>TECHNI VORM AMERONGEN-HOLLAND</p>	benaming	KB 744	
	type		
	datum	januari 2004	
	getekend	Ins. ill.	controle
	formaat	A4	bladnr. 2
	tek.nr.		



the coffeemaker makers.

AMERONGEN - HOLLAND

SPARES LIST FOR KB-744

Item.	Description.	Code.
001	Watertabsbloc.....	54310
↳	Watersystem complete (item 001/016), black.....	54369
↳	Watersystem complete (item 001/016), white.....	54371
↳	Watersystem complete (item 001/016), brown.....	54372
002	Nylon washer 1/4	63100
003	Screw coupling	54335
004	Fitting coupling (Part of item 003)	
005	Water tube, 1,5 mtr., black.....	04390
↳	Water tube, 1,5 mtr., Sweden.....	04395
↳	Water tube PEX 1/2", 1,5 mtr., Denmark.....	62340
006	Adapter nipple	54340
007	Lever tip, black	11248
↳	Lever tip, brown	11253
↳	Lever tip, white	11258
008	Valve lever	54350
009	Valve seat	54325
010	O-ring, 6,75x1,78	63250
011	Parker, 4,2x19.....	70010
012	O-ring, 3x1	63270
013	O-ring, 3,69x1,78	63260
014	Valvestick.....	54320
015	Stainless steel spring	54330
016	Attachment bracket	54360
017
018	Housing, 184mm, gold.....	58665
↳	Housing, 184mm, cream.....	58670
↳	Housing, 184mm, black.....	58675
↳	Housing, 184mm, white.....	58671
↳	Housing, watersystem-left , 184mm, white.....	58691
↳	Housing, 184mm, silver polished.....	58543
↳	Housing, watersystem-left silver polished	58681
019	Housing, 184mm, gold.....	58665
↳	Housing, 184mm, cream.....	58670
↳	Housing, 184mm, black.....	58675
↳	Housing, 184mm, white.....	58671
↳	Housing, watersystem-right , 184mm, white	58651
↳	Housing, 184mm, silver polished.....	58543
↳	Housing, watersystem-right , silver polished	58680
020	Coldwatercontainer (4-6-8-10)	11012
↳	Coldwatercontainer, left (4-6-8-10)	11012L
↳	Coldwatercontainer (Norway).....	11013
↳	Coldwatercontainer, left (Norway)	11013L
021	Coldwatercontainer (4-6-8-10)	11012
↳	Coldwatercontainer, right (4-6-8-10)	11012R
↳	Coldwatercontainer (Norway).....	11013
↳	Coldwatercontainer, right (Norway)	11013R
022	Sealing ring, brown	11400
↳	Sealing ring, black.....	11405
023	Self tapping screw, 4,2x16	70030
024	Filter bracket, brown.....	12790
↳	Filter bracket, white.....	12792
↳	Filter bracket, black.....	12795
025	Adj. Filterholder complete, brown	13191
↳	Adj. Filterholder complete, black	13193
↳	Adj. Filterholder complete, white	13196
025a	Filterholder, brown	13215
↳	Filterholder, black.....	13235



the coffeemaker makers.

AMERONGEN - HOLLAND

SPARES LIST FOR KB-744

Item.	Description.	Code.
↳	filterholder	13236
026	Adjustable knob, brown	11930
↳	Adjustable knob, white.....	11935
↳	Adj. Filterholder complete, black	13193
027	Leafspring filter	56971
028	Springholder, brown	11900
↳	Springholder, white	11905
↳	Springholder, black	11910
029	Closing arm, brown	11960
↳	Closing arm, white	11965
↳	Closing arm, black	11970
030	Closingpad	60070
031	Lid coldwater container, brown	13000
↳	Lid coldwater container, black	13012
↳	Lid coldwater container, <u>watersystem-left</u> , black,	13013
↳	Lid coldwater container, white	13015
↳	Lid coldwater container, <u>watersystem-left</u> , white,	13018
032	Lid coldwater container, brown	13000
↳	Lid coldwater container, black	13012
↳	Lid coldwater container, <u>watersystem-right</u> , black,	13014
↳	Lid coldwater container, white	13015
↳	Lid coldwater container, <u>watersystem-right</u> , white,	13017
033	Float hood	54130
034	Float	12235
035	Outletpipe.....	53021
↳	Outletpipe Norway	53055
036	Filter lid, brown	13105
↳	Filter lid, black.....	13112
↳	Filter lid, white.....	13115
036a	Filter lid, brown	13125
↳	Filter lid, black.....	13127
↳	Filter lid, white.....	13121
037	Mixing lid, brown	13370
↳	Mixing lid, white	13375
↳	Mixing lid, black	13380
039	Rubber adapter.....	60010
040	Self tapping screw, 4,2x16	70033
041	Rubber sealing washer	61190
042	Switch pawl	54155
043	Tightening socket	12220
044	Fixationplate microswitch.....	54151
045	Parker, 2,9x6,5	73050
046	Microswitch	43335
047	Screw, M3x16.....	73000
048	Glass tube, 168,5mm	31110
049	Rubber tube, 185mm.....	60095
050	Glass jug, only	30105
051	Neckband jug	56940
052	Closing part handle, brown	12302
↳	Closing part handle, black.....	12307
↳	Closing part handle, white.....	12327
053	Screw part handle, brown	12301
↳	Screw part handle, black	12306
↳	Screw part handle, white	12326
054	Handle coffeejug, brown.....	12300
↳	Handle coffeejug, black	12305
↳	Handle coffeejug, white	12325



the coffeemaker makers.

AMERONGEN - HOLLAND

SPARES LIST FOR KB-744

Item.	Description.	Code.
055	Parker, 3,5x25	70020
056	Measuring spoon	88100
↳	Measuring spoon, Norway	88105
↳	Measuring spoon, Sweden	88106
057	Hotplate, chrome	52060
↳	Hotplate, oven enamelled, brown	52062
↳	Hotplate, oven enamelled, white	52063
↳	Hotplate, oven enamelled, black	52064
058	Aluminium disc	55410
059	Ptc hotplate element HP-07	41238
061	Hotplate support, brown	11410
↳	Hotplate support, black.....	11415
↳	Hotplate support, white.....	11420
062	Tightening spring hotplate element	56976
063	Nut, M6x5.....	72035
064	Earth clip, M6	78151
065	Toothed washer.....	74025
066	Nut M6x5.....	72035
067	Speednut.....	78250
068	Front panel, brown	11170
↳	Front panel, brown, Moccamaster	11173
↳	Front panel, brown, Moccamaster, <u>scale indicator lamp</u>	11176
↳	Front panel, brown, Clubline, <u>scale indicator lamp</u>	11175
↳	Front panel,white	11168
↳	Front panel, white, sticker Moccamaster	11171
↳	Front panel, white, sticker Moccamaster, <u>scale indicator lamp</u>	11179
↳	Front panel, white, Clubline, <u>scale indicator lamp</u>	11178
↳	Front panel,black	11160
↳	Front panel, black, sticker Moccamaster	11148
↳	Front panel, black, sticker Moccamaster, <u>scale indicator lamp</u>	11149
↳	Front panel, black, Clubline, <u>scale indicator lamp</u>	11162
069	Switch.....	43170
070	Scale indicator lamp	43600
071	Frontsticker, brown, Moccamaster.....	83020
↳	Frontsticker, brown, Clubline.....	83025
↳	Frontsticker, black, Moccamaster	83030
↳	Frontsticker, black, Clubline.....	83035
072	Rubber feet	61150
073	Bottom plate	11360
074	Base plate, gold.....	55375
↳	Base plate, cream.....	55390
↳	Base plate, white	55391
↳	Base plate, black	55393
075	Parker, 3,5x9,5	70050
075a	Bolt, M3x 10	73031
076	Self tapping screw, 4,5x20	70080
077	Spring washer.....	74020
078	Bolt, M4x10	71010
079	Tightening clip	54161
080	Element bracket.....	51459
081	Litze earthwire, 200mm	40565
085	Nut, M4	72015
086	Toothed washer, M4	74010
087	Screw, M4x8.....	71045
088	Thermostat / thermofuse combination.....	46260
089	Copper tube 12x0,5x10,5	51030



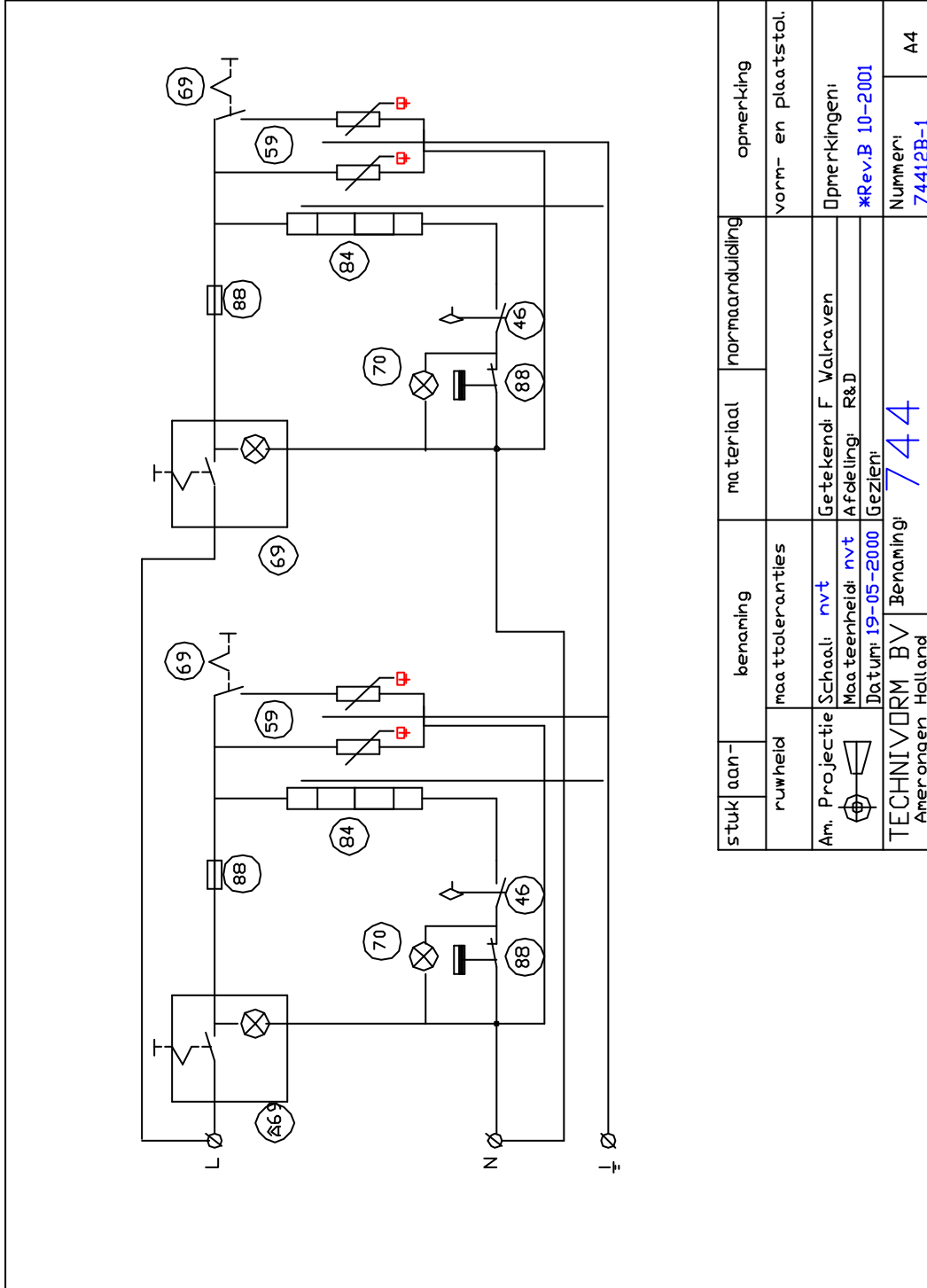
the coffeemaker makers.

AMERONGEN - HOLLAND

SPARES LIST FOR KB-744

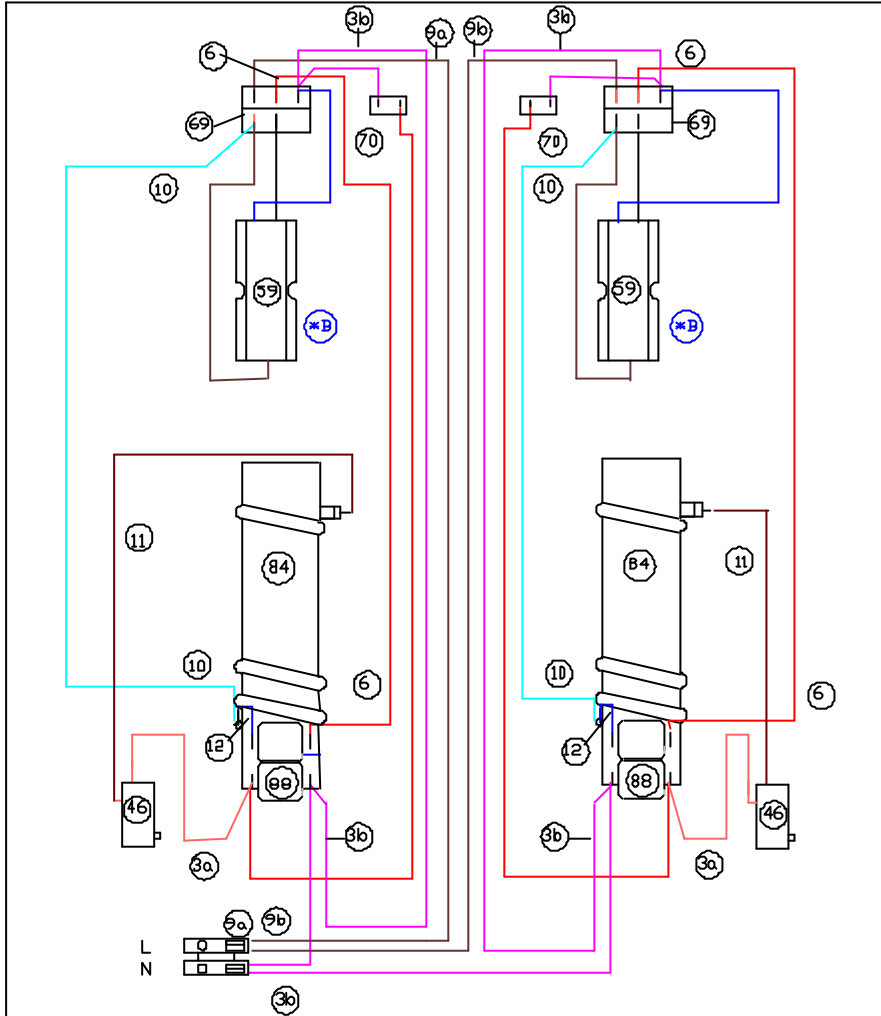
Item.	Description.	Code.
090	Earth connection	54171
091	Rear panel, brown.....	11181
↳	Rear panel, white.....	11186
↳	Rear panel, black.....	11189
092	Cord anchorage, black	11245
↳	Cord anchorage, brown	11250
↳	Cord anchorage, white	11255
093	Parker, 3,5x13.....	70055
094	Cover, flex go-through, brown.....	11252
↳	Cover, flex go-through, black	11247
↳	Cover, flex go-through, white.....	11257
095	Parker, 4,9x19.....	70065
096	Block terminal	46060
097	Boiling element, incl. 39, 81-83, 85-89, 1000W-230V.....	45140
↳	Boiling element, 1450W-230V	45149
↳	Boiling element, 1310W-240V (1200W-230V)	45163
100	Flex, go-through, black	11246
↳	Flex, go-through, brown.....	11251
↳	Flex, go-through, white.....	11257
101	Flex with plug, rubber, 3x1,5.....	44080
↳	Flex with plug, black, 3x1,5.....	44085
↳	Flex with plug UK, black, 3x1,5	44064


KB-744 electrical diagram

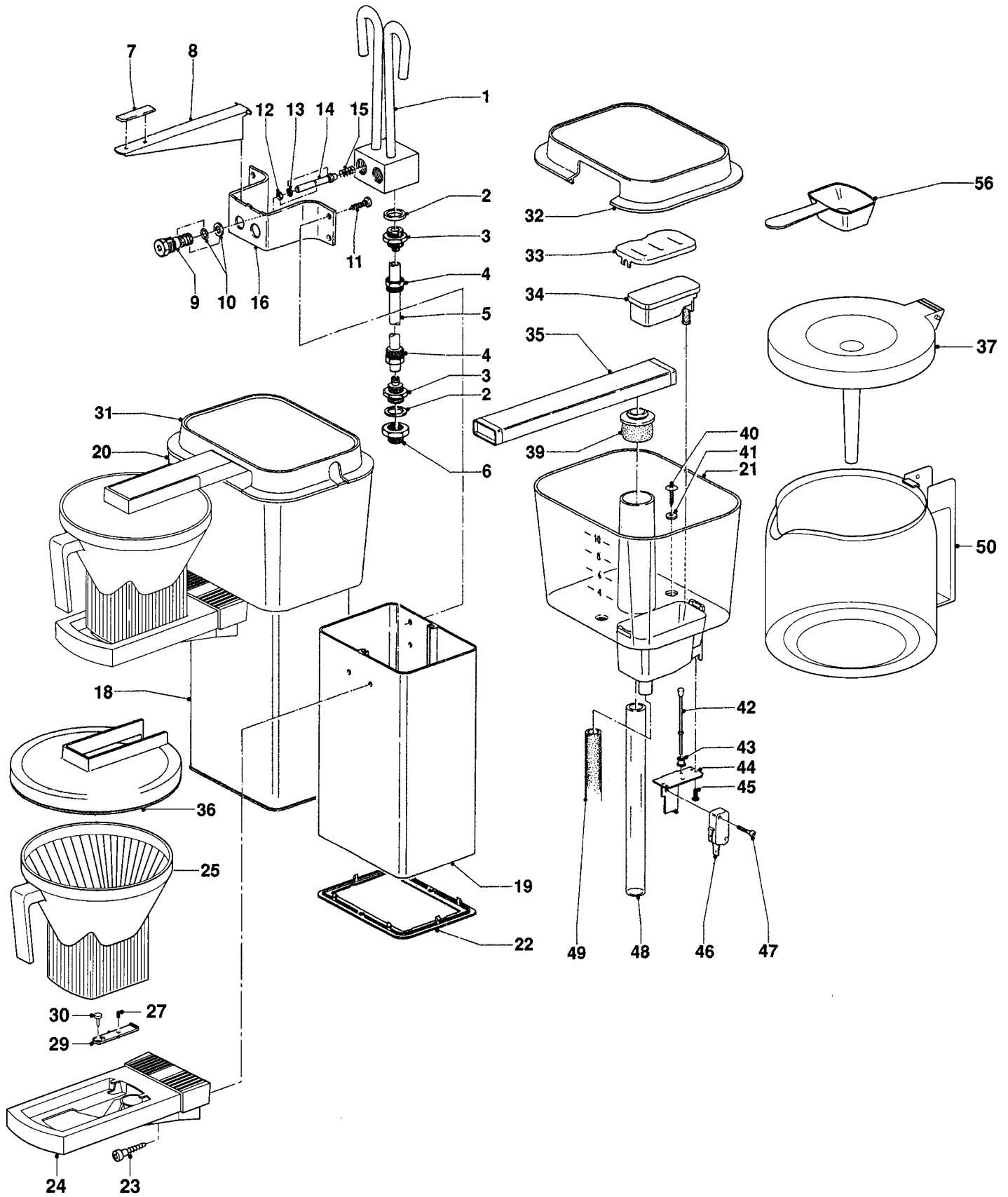



stuk aan- ruwheid	benaming	maattoleranties	normaanduiding	opmerking
Am. Projectie	Schaal: nvt	Getekend: F. Valraven		vorm- en plaatstol.
	Maatteenheid: nvt	Afdeling: R&D		Opmerkingen:
	Datum: 19-05-2000	Gezien:		*Rev.B 10-2001
TECHNIVORM BV Amerongen Holland	Benaming: 744			Nummer: 74412B-1
				A4

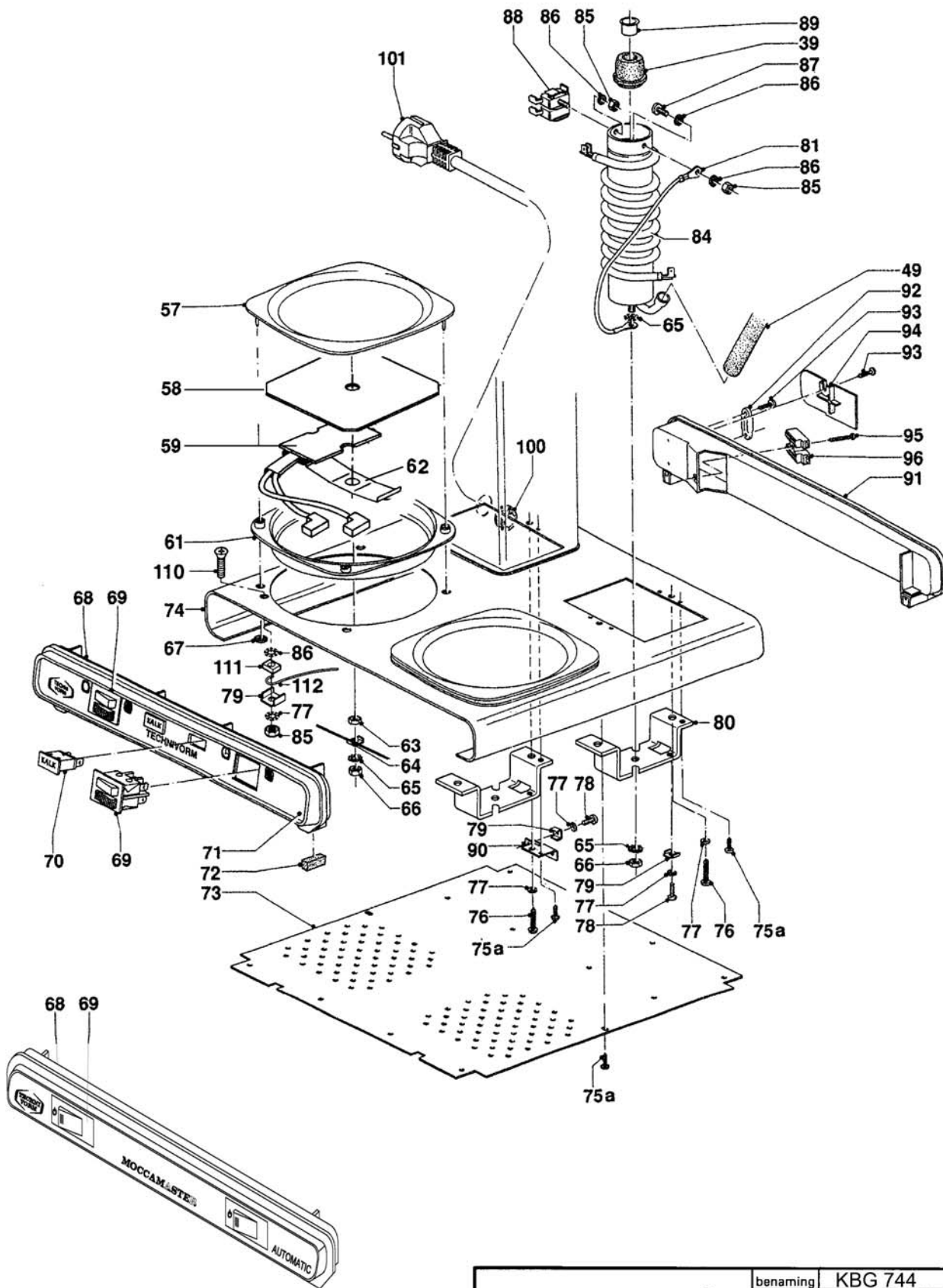
KB-744 electrical diagram




stuk	aan-	benaming	materiaal	normaanduiding	opmerking
	ruwheid	naattoleranties			vorm- en plaatstal.
Am. Projectie		Schaal: nvt	Getekend: F. Valraven		Opmerkingen:
		Maateenheid: nvt	Afdeling: R&D		*Rev.B 10-2001
		Datum: 19-05-2000	Gezien:		
TECHNIVORM BV Amerongen Holland		Benaming: 744		Nummer: 74412-2	A4



 TECHNI VORM AMERONGEN-HOLLAND	benaming	KBG 744	
	type		
	datum	januari 2004	
	getekend	Ins. ill.	controle
	formaat	A4	bladnr. 1
	tek.nr.		



 <p>TECHNI VORM AMERONGEN-HOLLAND</p>	benaming	KBG 744	
	type		
	datum	januari 2004	
	getekend	Ins. ill.	controle
	formaat	A4	bladnr. 2
	tek.nr.		



the coffeemaker makers.

AMERONGEN - HOLLAND

SPARES LIST FOR KBG-744

Item.	Description.	Code.
001	Watertabsbloc.....	54310
↳	Watersystem complete (item 001/016), black.....	54369
↳	Watersystem complete (item 001/016), white.....	54371
↳	Watersystem complete (item 001/016), brown.....	54372
002	Nylon washer 1/4	63100
003	Screw coupling	54335
004	Fitting coupling (Part of item 003)	
005	Water tube, 1,5 mtr., black.....	04390
↳	Water tube, 1,5 mtr., Sweden.....	04395
↳	Water tube PEX 1/2", 1,5 mtr., Denmark.....	62340
006	Adapter nipple	54340
007	Lever tip, black	11248
↳	Lever tip, brown.....	11253
↳	Lever tip, white	11258
008	Valve lever	54350
009	Valve seat	54325
010	O-ring, 6,75x1,78	63250
011	Parker, 4,2x19.....	70010
012	O-ring, 3x1	63270
013	O-ring, 3,69x1,78	63260
014	Valvestick.....	54320
015	Stainless steel spring	54330
016	Attachment bracket	54360
017
018	Housing, 184mm, gold.....	58665
↳	Housing, 184mm, cream.....	58670
↳	Housing, 184mm, black.....	58675
↳	Housing, 184mm, white.....	58671
↳	Housing, watersystem-left , 184mm, white.....	58691
↳	Housing, 184mm, silver polished.....	58543
↳	Housing, watersystem-left silver polished	58681
019	Housing, 184mm, gold.....	58665
↳	Housing, 184mm, cream.....	58670
↳	Housing, 184mm, black.....	58675
↳	Housing, 184mm, white.....	58671
↳	Housing, watersystem-right , 184mm, white	58651
↳	Housing, 184mm, silver polished.....	58543
↳	Housing, watersystem-right , silver polished	58680
020	Coldwatercontainer (4-6-8-10)	11012
↳	Coldwatercontainer, left (4-6-8-10)	11012L
↳	Coldwatercontainer (Norway).....	11013
↳	Coldwatercontainer, left (Norway)	11013L
021	Coldwatercontainer (4-6-8-10)	11012
↳	Coldwatercontainer, right (4-6-8-10)	11012R
↳	Coldwatercontainer (Norway).....	11013
↳	Coldwatercontainer, right (Norway)	11013R
022	Sealing ring, brown	11400
↳	Sealing ring, black.....	11405
023	Self tapping screw, 4,2x32	70029
024	Filter bracket, black.....	12602
025	Filterholder complete, black	13252
026
027	Spring closing arm	56975
028
029	Closing arm, black	11980
030	Closingpad.....	60070
031	Lid coldwater container, black	13012



the coffeemaker makers.

AMERONGEN - HOLLAND

SPARES LIST FOR KBG-744

Item.	Description.	Code.
↳	Lid coldwater container, <u>watersystem-left</u> , black,	13013
032	Lid coldwater container, black	13012
↳	Lid coldwater container, <u>watersystem-right</u> , black,	13014
033	Float hood	54130
034	Float	12235
035	Outletpipe.....	53021
↳	Outletpipe Norway	53055
036	Filter lid, black.....	13112
037	Mixing lid, black	13360
039	Rubber adapter.....	60010
040	Self tapping screw, 4,2x16	70032
041	Rubber sealing washer	61190
042	Switch pawl	54155
043	Tightening socket	12220
044	Fixationplate microswitch.....	54151
045	Parker, 2,9x6,5	73050
046	Microswitch	43335
047	Screw, M3x16.....	73000
048	Glass tube, 168,5mm	31110
049	Rubber tube, 185mm.....	60095
050	Glass jug, only	30201
↳	Glass jug with lid	30301
051
052
053
054
055
056	Measuring spoon	88100
↳	Measuring spoon, Norway	88105
↳	Measuring spoon, Sweden	88106
057	Hotplate, chrome	52060
↳	Hotplate, oven enamelled, black	52064
058	Aluminium disc	55410
059	Ptc hotplate element HP-07	41238
061	Hotplate support, black.....	11415
062	Tightening spring hotplate element	56976
063	Nut, M6x5.....	72035
064	Earth clip, M6	78151
065	Toothed washer.....	74025
066	Nut M6x5.....	72035
067	Speednut.....	78250
068	Front panel, black	11160
↳	Front panel, black, sticker Moccamaster	11148
↳	Front panel, black, sticker Moccamaster, <u>scale indicator lamp</u>	11149
↳	Front panel, black, Clubline, <u>scale indicator lamp</u>	11162
069	Switch.....	43170
070	Scale indicator lamp	43600
071	Frontsticker, black, Moccamaster	83030
↳	Frontsticker, black, Clubline.....	83035
072	Rubber feet	61150
073	Bottom plate	11360
074	Base plate, gold.....	55375
↳	Base plate, cream.....	55390
↳	Base plate, white	55391
↳	Base plate, black	55393
075	Parker, 3,5x9,5	70050
075a	Bolt, M3x 10	73031



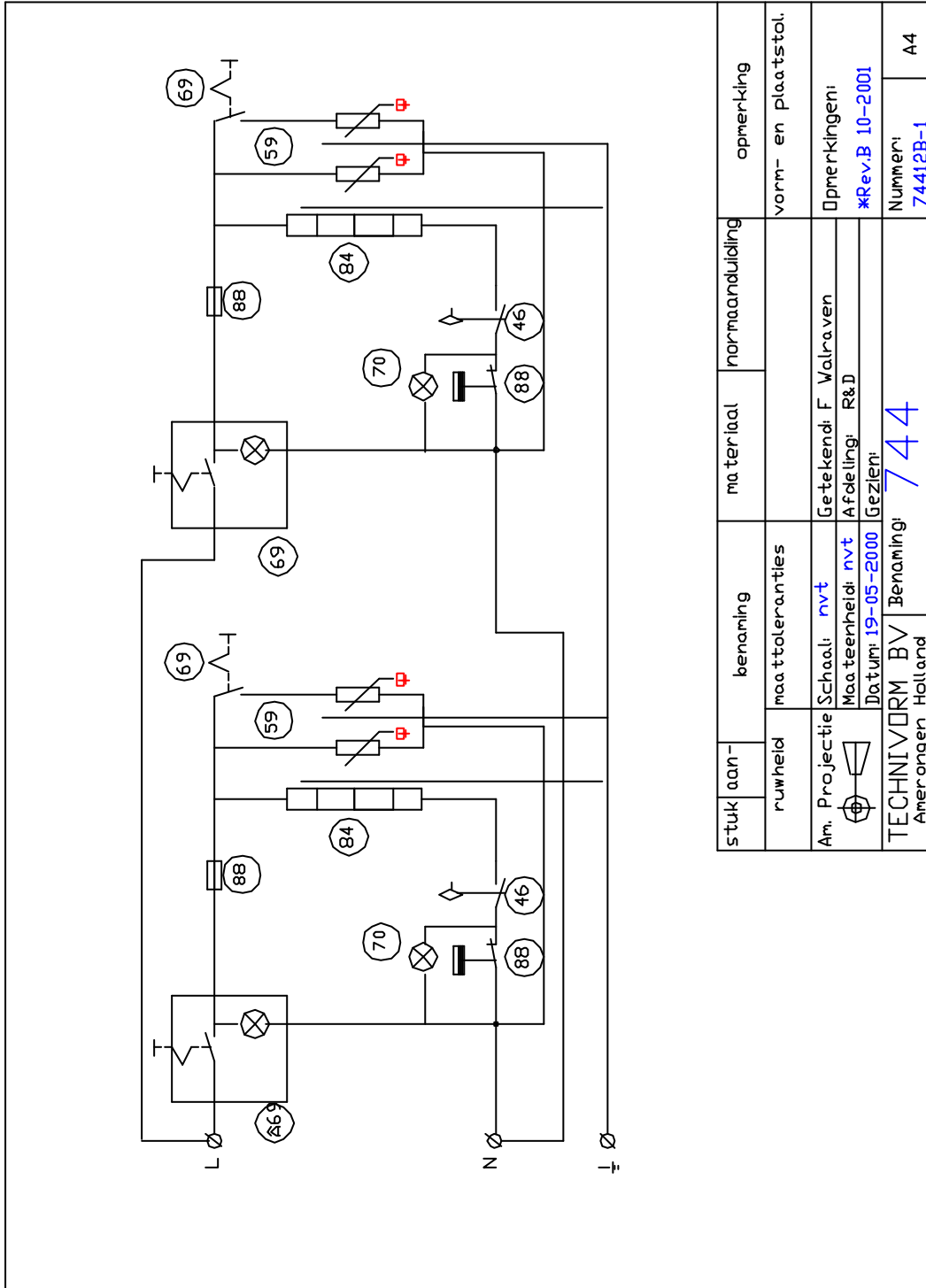
the coffeemaker makers.

AMERONGEN - HOLLAND

SPARES LIST FOR KBG-744

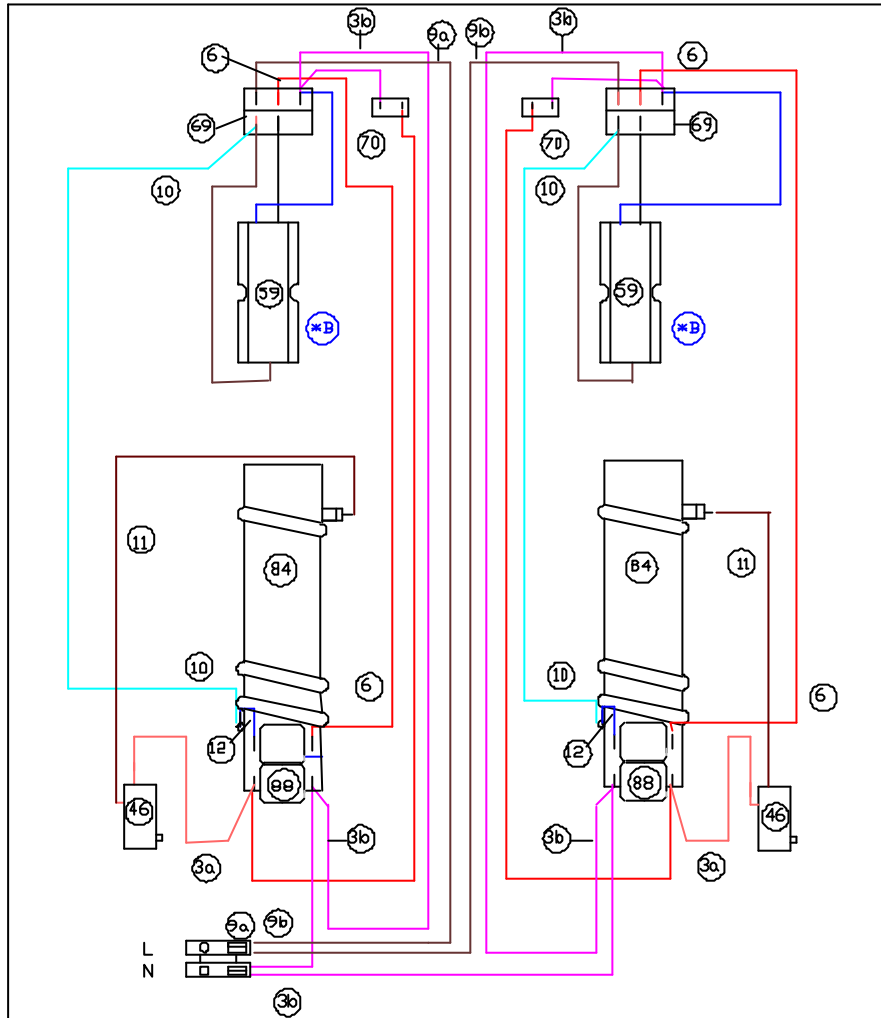
Item.	Description.	Code.
076	Self tapping screw, 4,5x20	70080
077	Spring washer.....	74020
078	Bolt, M4x10	71010
079	Tightening clip	54161
080	Element bracket.....	51459
081	Litze earthwire, 200mm	40565
085	Nut, M4	72015
086	Toothed washer, M4	74010
087	Screw, M4x8.....	71045
088	Thermostat / thermofuse combination.....	46260
089	Copper tube 12x0,5x10,5	51030
090	Earth connection	54171
091	Rear panel, black	11189
092	Cord anchorage, black	11245
093	Parker, 3,5x13.....	70055
094	Cover, flex go-through, black	11247
095	Parker, 4,9x19	70065
096	Block terminal	46060
097	Boiling element, incl. 39, 81-83, 85-89, 1000W-230V.....	45140
↳	Boiling element, 1450W-230V	45149
↳	Boiling element, 1310W-240V (1200W-230V)	45163
100	Flex, go-through, black	11246
101	Flex with plug, rubber, 3x1,5.....	44080
↳	Flex with plug, black, 3x1,5.....	44085
↳	Flex with plug UK, black, 3x1,5	44064

KBG-744 electrical diagram

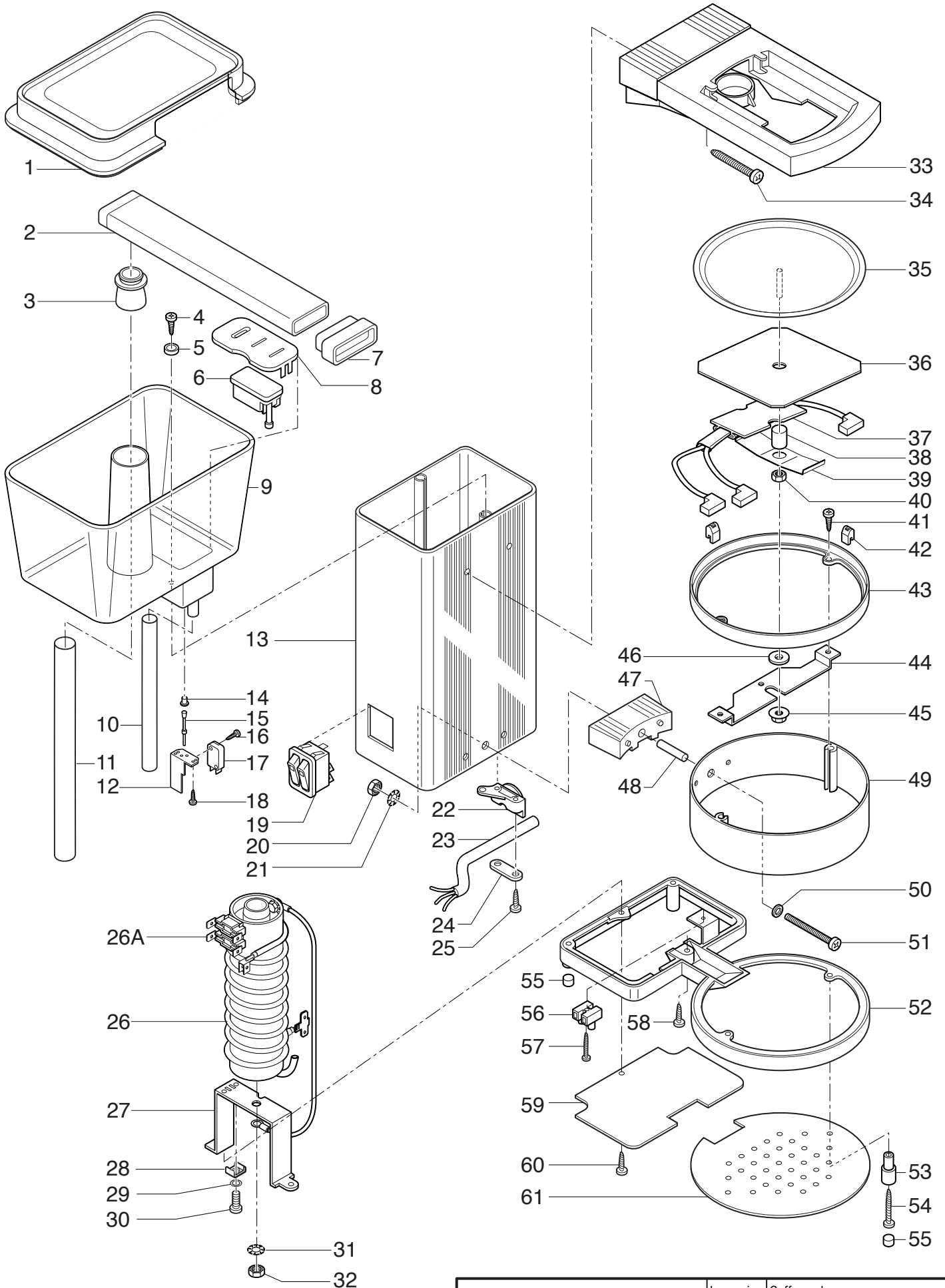



stuk aan- ruwheid	benaming	maattoleranties	normaanduiding	opmerking
Am. Projectie	Schaal: nvt	Getekend: F. Valraven		vorm- en plaatstol.
	Maatteenheid: nvt	Afbeelding: R&D		Opmerkingen:
	Datum: 19-05-2000	Gezien:		*Rev.B 10-2001
TECHNIVORM BV Amerongen Holland	Benaming: 744			Nummer: 74412B-1
				A4

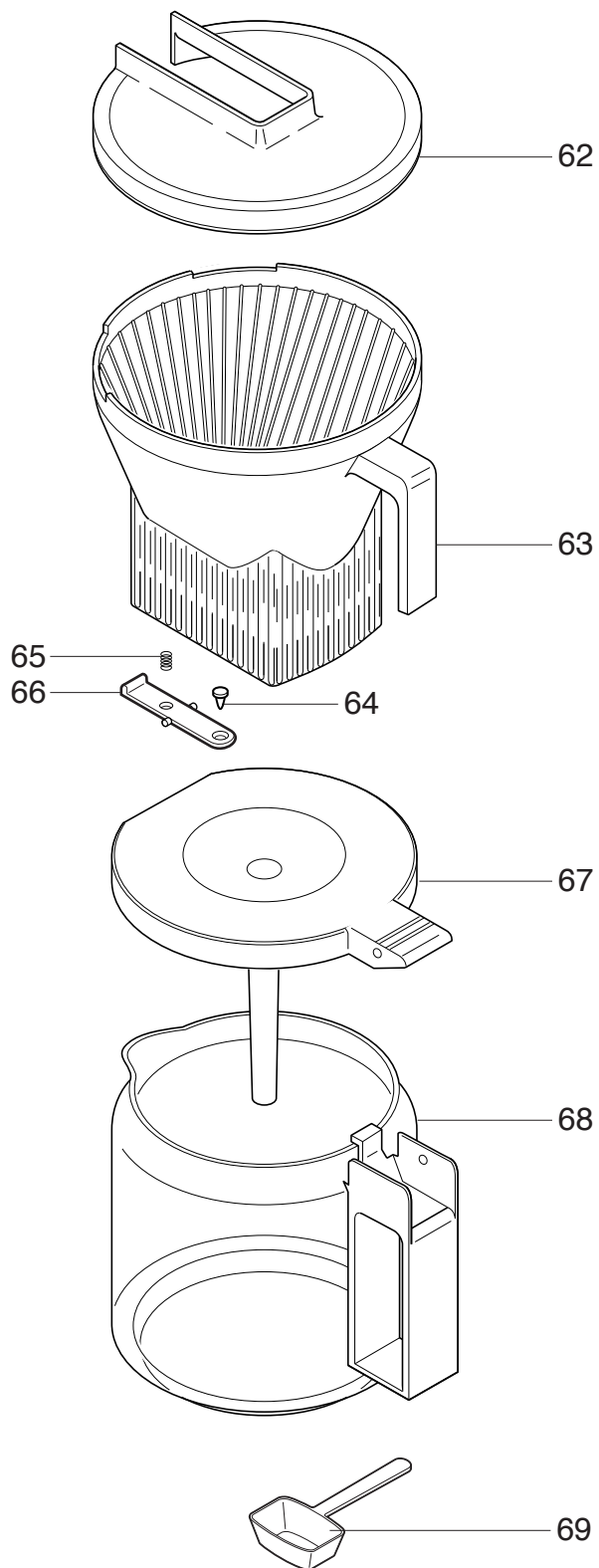
KBG-744 electrical diagram




stuk	aan-	benaming	materiaal	normaanduiding	opmerking
	ruwheid	naattoleranties			vorm- en plaatstal.
Am. Projectie		Schaal: nvt Maateenheid: nvt Datum: 19-05-2000	Getekend: F. Valraven Afdeling: R&D Gezien:		Opmerkingen: *Rev.B 10-2001
TECHNIVORM BV Amerongen Holland		Benaming: 744		Nummer: 74412-2	A4



	benaming	Coffeemaker	
	type	KBG 40.100	
	datum	april 2005	
	getekend	DDCom	controle
	formaat	A4	bladnr. 1 van 2
	tek.nr.		



	benaming	Coffeemaker	
	type	KBG 40.100	
	datum	april 2005	
	getekend	DDCom	controle
	formaat	A4	bladnr. 2 van 2
	tek.nr.		



the coffeemaker makers.

MOCCAMASTER

SPARES LIST FOR KBG 40

Item:	Description	Code:
001	Lid, coldwatercontainer	13012
002	Outletpipe, complete (Incl. 007)	53021
↳	Outletpipe Norway, complete (Incl. 007)	53055
003	Rubber adapter	60015
004	Screw, stainless steel	70032
005	Rubber sealing washer	61190
006	Float	12235
007	Rubber closing pad	63011
008	Float hood, stainless steel	54130
009	Coldwater container	11005
010	Rubber tube, 155mm	60110
011	Glass tube, 133,5mm	31080
012	Fixingplate microswitch	54151
013	Housing KBG 40, silver polished	58911
↳	Housing KBG 40, red	58916
014	Tightening socket	12220
015	Switch pawl	54155
016	Screw, M3x16	73000
017	Microswitch, 16Amp.	43335
↳	Microswitch, 16Amp. complete (Incl. 12,15,16)	43336
018	Screw 2,9x9,5	73050
019	Switch KBG 40	43003
020+021	Combined nut/washer, M6	72110
022	Cord anchorage	11230
023	Supply cord 3x1, black	44347
024	Cord anchorage, screw part	78175
025	Screw, 3,5x13	70055
026	Boiling element, 1450W-230V	45149
↳	Boiling element, 1200W-230V/1310W-240V	45163
026A	Thermostat 145°C. / Thermofuse	46265
027	Elementbracket	51467
028	Tightening clip	54161
029+030	Screw with ring	70012
031+032	Combined nut/washer, M6	72110
033	Filterbracket, assembly	12602
034	Screw, 4,2x32 stainless steel	70029
035	Hotplate chromium	52154
036	Aluminium disk	55410
037	Ptc hotplate element KBG 40	41282
038	Steel bush	74075
039	Tighteningspring hotplate element	56976
040	Nut, M6x3	72005
041	Screw, 4,2x13 stainless steel	70040
042	Hotplate support ring	15330
043	Hotplate support	11430
044	Elementbracket	51495
045	Flange nut, M6, serrated	72115
046	Steel washer, 6mm	74037
047	Connection part	12565
048	Steel bush 6x8x31	71081
049	Housing hotplate element, silver polished	58861
↳	Housing hotplate element, red	58869
050	Toothed washer, M6	74025
051	Bolt M6x50	71091
052	Base plate KB 40	15440



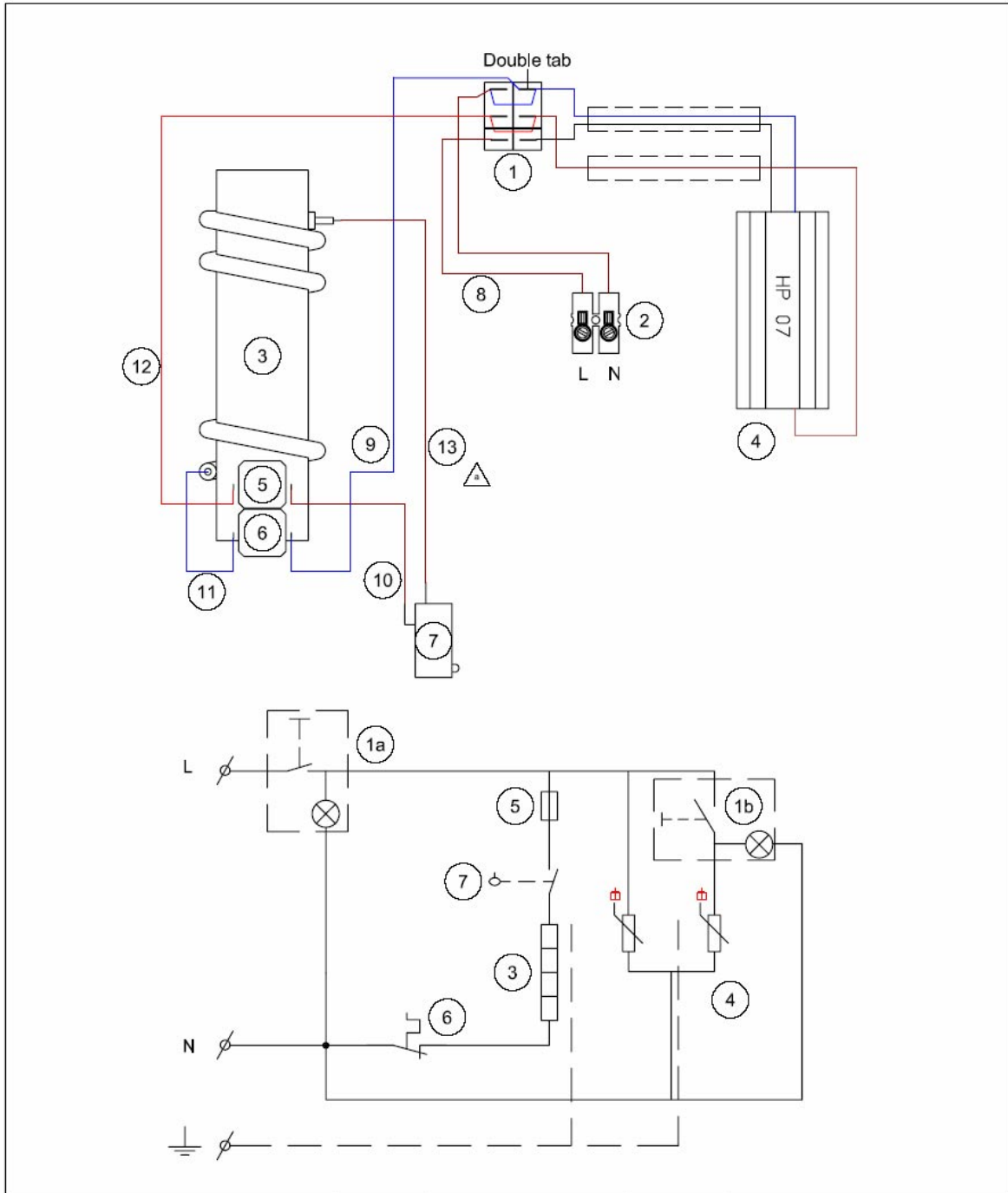
the coffeemaker makers.

MOCCAMASTER

SPARES LIST FOR KBG 40

Item:	Description	Code:
053	Feet	11266
054	Screw, 4,2x32.....	70026
055	Rubber feet.....	62450
056	Block terminal.....	46060
057	Screw, 2,9x19.....	70065
058	Screw 4,2x13.....	70039
059	Bottom plate housing.....	11320
060	Screw 4,2x 16.....	70041
061	Bottom plate hotplate unit	11321
062	Filter lid, black	13112
063	Filter black, complete	13252
064	rubber closing pad.....	60070
065	Stainlesssteel spring	56975
066	Closing arm	11980
067	Lid jug.....	13360
068	Glass jug	30201
069	Measuring spoon.....	88100

KBG 40 electrical diagram

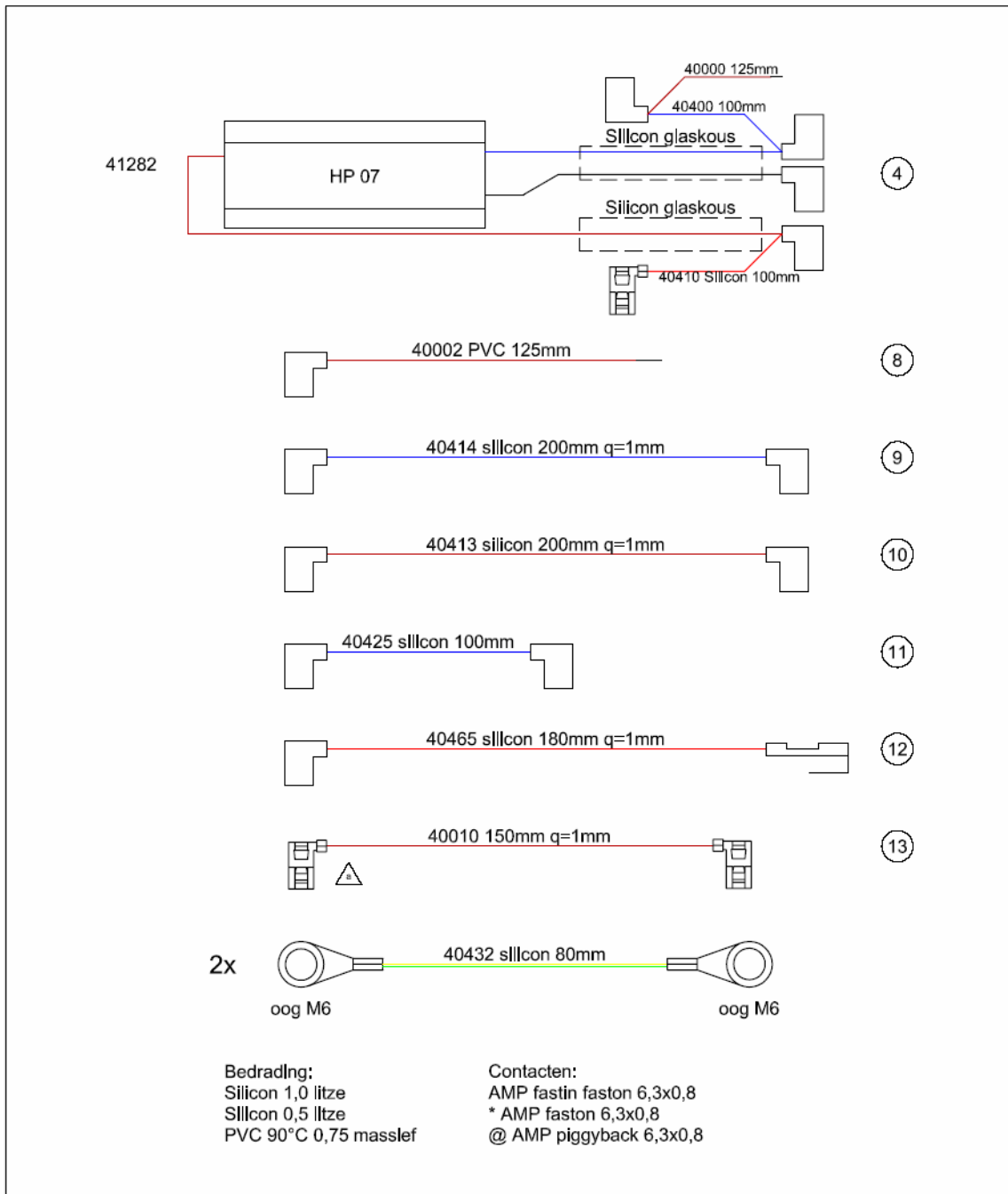


MOCCAMASTER

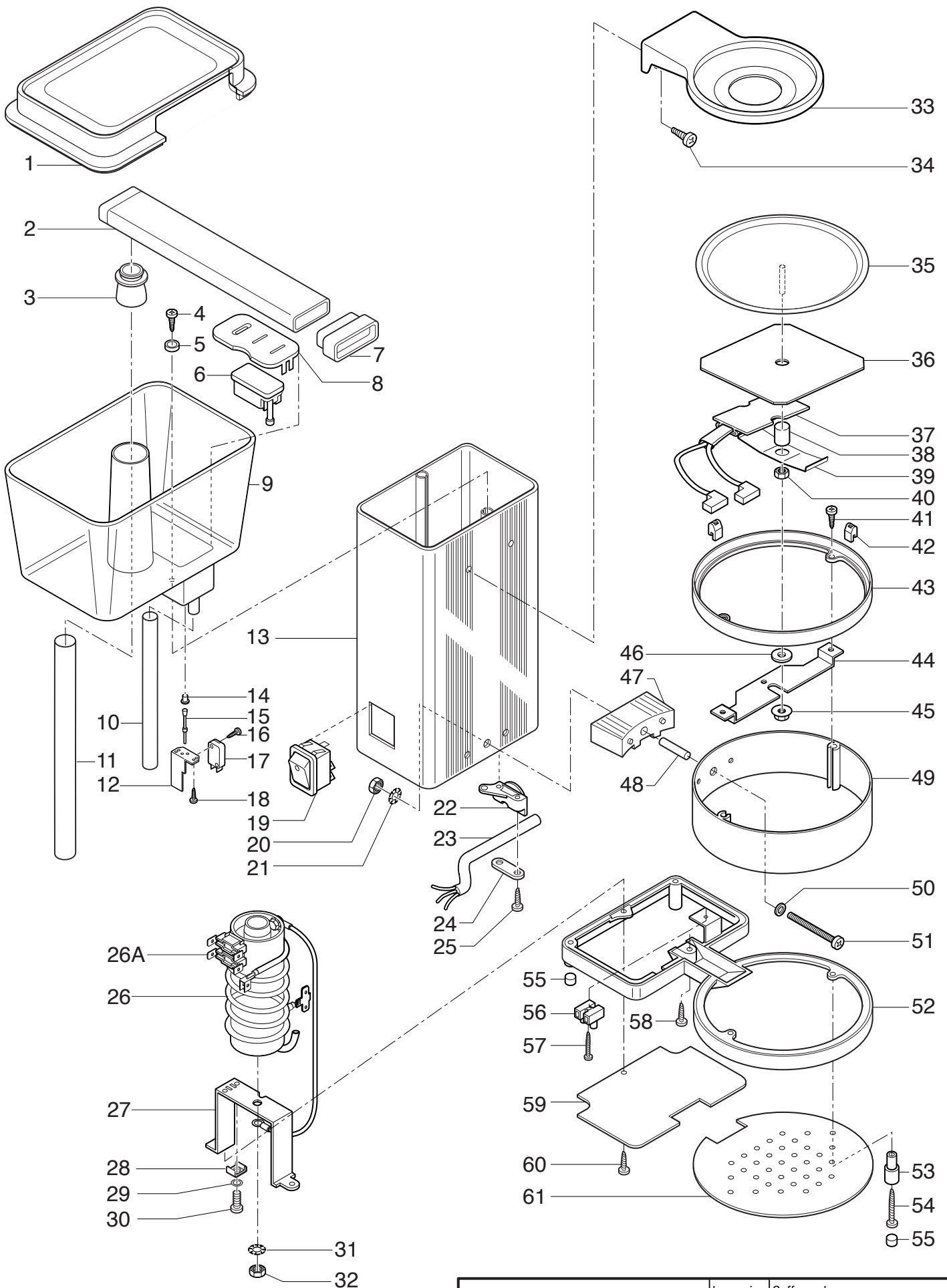
Industrieweg 20 P.O. box 34
 3958 VR AMERONGEN 3958 ZT AMERONGEN
 Tel: (0343) 453161 Mail: technivorm@tref.nl
 Fax: (0343) 454685 www.technivorm.com


drawn by	E Wiersema	date	8-12-2004	revision / modification
checked by	F Walraven	date	8-12-2004	a 15-02-05 40010 I.p.v. 40413
format	A4	sheet	1 of 2	b
remark				c
drawing name			drawing number	
KBG40 - 10 KOPS			KBG40.100	

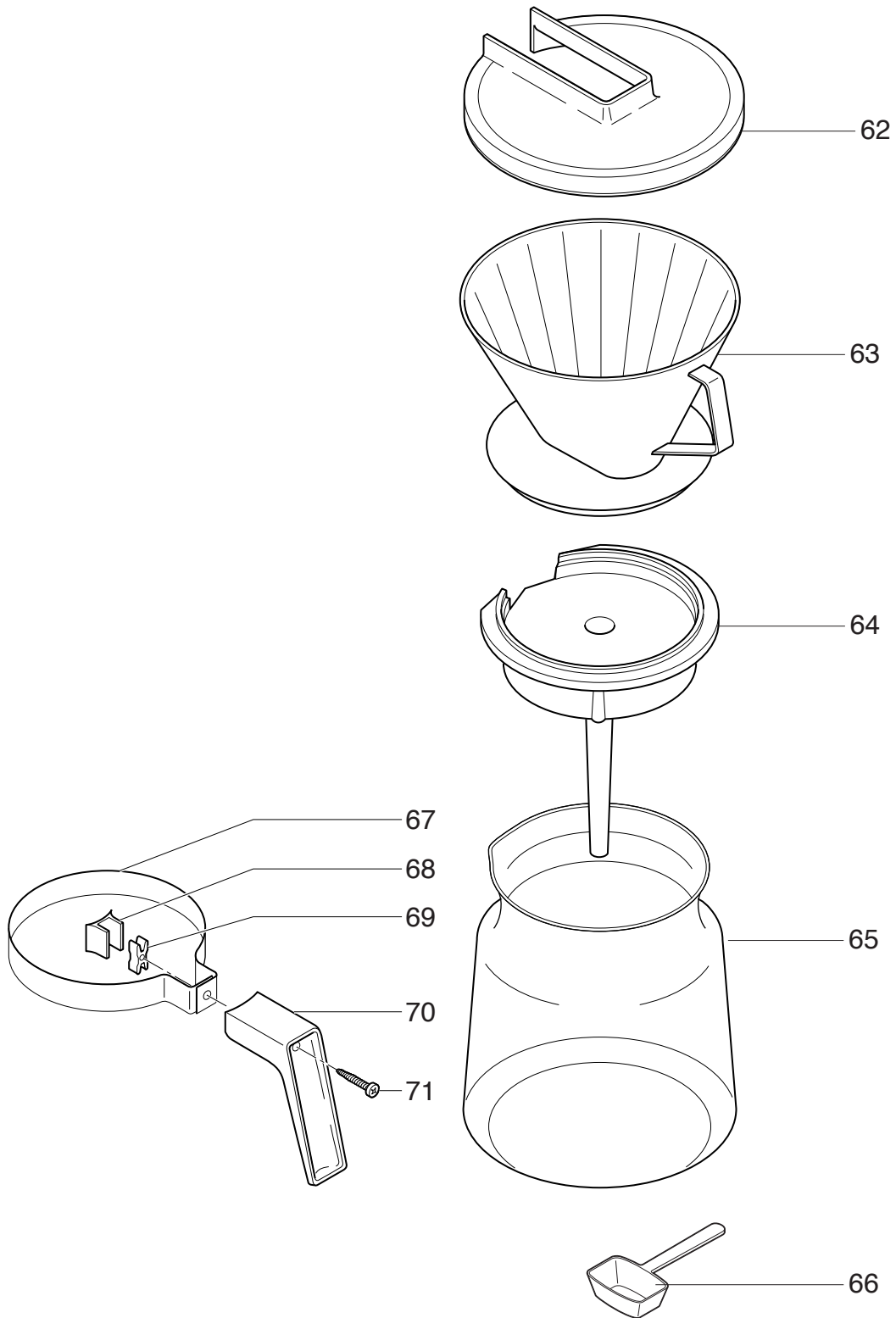
KBG 40 electrical diagram




<p>Industrieweg 20 P.O. box 34 3958 VR AMERONGEN 3958 ZT AMERONGEN Tel: (0343) 453161 Mail: technivorm@tref.nl Fax: (0343) 454685 www.technivorm.com</p>	drawn by	E Wiersema	date	08-12-2004	revisjon / modification
	checked by	F Walraven	date	08-12-2004	a 15-02-05 40010 l.p.v. 40413
	format	A4	sheet	2 of 2	b
	remark				c
	drawing name	KBG40 - 10 KOPS			drawing number



	benaming	Coffeemaker	
	type	KBG 40.080	
	datum	april 2005	
	getekend	DDCom	controle
	formaat	A4	bladnr. 1 van 2
	tek.nr.		



 <p>TECHNI VORM</p> <p>MOCCAMASTER</p>	benaming	Coffeemaker	
	type	KBG 40.080	
	datum	april 2005	
	getekend	DDCom	controle
	formaat	A4	bladnr. 2 van 2
	tek.nr.		



the coffeemaker makers.

MOCCAMASTER

SPARES LIST FOR KB 40

Item:	Description	Code:
001	Lid, coldwatercontainer	13012
002	Outletpipe, complete (Incl. 007)	53021
↳	Outletpipe Norway, complete (Incl. 007)	53055
003	Rubber adapter	60015
004	Screw, stainless steel	70032
005	Rubber sealing washer	61190
006	Float	12235
007	Rubber closing pad	63011
008	Float hood, stainless steel	54130
009	Coldwater container	11032
010	Rubber tube, 140mm	60115
011	Glass tube, 127,5mm	31070
012	Fixingplate microswitch	54151
013	Housing KB 40, silver polished	58906
014	Tightening socket	12220
015	Switch pawl	54155
016	Screw, M3x16	73000
017	Microswitch, 16Amp	43335
↳	Microswitch, 16Amp. complete (Incl. 12,15,16)	43336
018	Screw 2,9x9,5	73050
019	Switch KB 40	43005
	Adapter	46040
020+021	Combined nut/washer, M6	72110
022	Cord anchorage	11230
023	Supply cord 3x1, black	44045
024	Cord anchorage, screw part	78175
025	Screw, 3,5x13	70055
026	Boiling element, 1100W-230V	45155
026A	Thermostat 145°C. / Thermofuse	46265
027	Elementbracket	51467
028	Tightening clip	54161
029+030	Screw with ring	70012
031+032	Combined nut/washer, M6	72110
033	Filterbracket, black	12795
034	Screw, 4,2x16 stainless steel	70032
035	Hotplate chromium	52147
036	Aluminium disk	55410
037	Ptc hotplate element KB 40	41209
038	Steel bush	74075
039	Tighteningspring hotplate element	56976
040	Nut, M6x3	72005
041	Screw, 4,2x13 stainless steel	70040
042	Hotplate support ring	11430
043	Hotplate support	15331
044	Elementbracket	51495
045	Flange nut, M6, serrated	72115
046	Steel washer, 6mm	74037
047	Connection part	12565
048	Steel bush 6x8x31	71081
049	Housing hotplate element, silver polished	58861
050	Toothed washer, M6	74025
051	Bolt M6x50	71091
052	Base plate KB 40	15440
053	Feet	11266
054	Screw, 4,2x32	70026



the coffeemaker makers.

MOCCAMASTER

SPARES LIST FOR KB 40

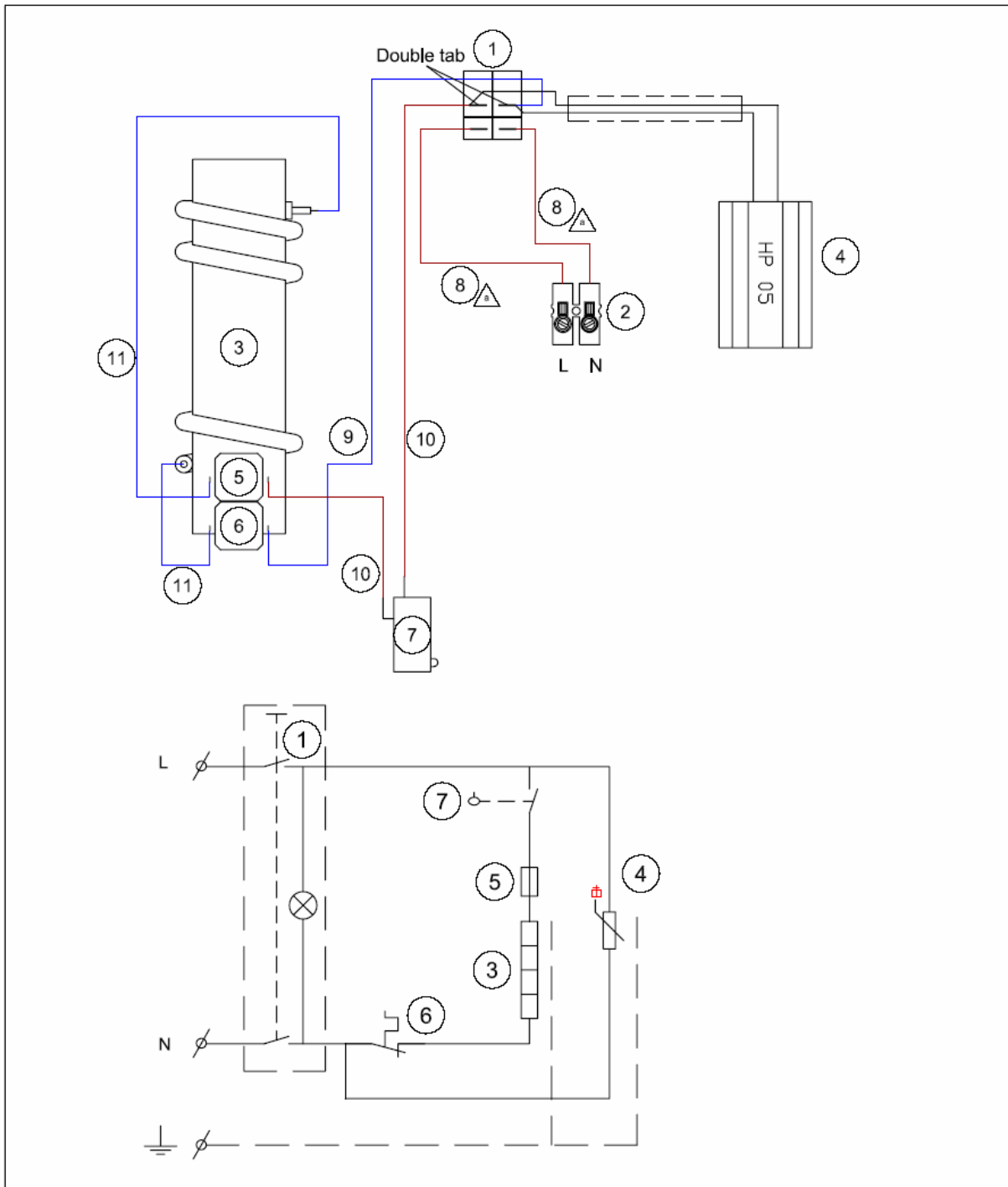
Item:	Description	Code:
055	Rubber feet.....	62450
056	Block terminal.....	46060
057	Screw, 2,9x19.....	70065
058	Screw 4,2x13.....	70039
059	Bottom plate housing.....	11320
060	Screw 4,2x 16.....	70041
061	Bottom plate hotplate unit	11321
062	Filter lid, black	13112
063	Filterholder, black	13235
064	Mixing lid 1,0 ltr, black.....	13385
065	Glass jug, 1,0 ltr	30405
066	Measuring spoon.....	88100
067	Neckband jug	56940
068	Closing part handle, black.....	12307
069	Screw part handle, black.....	12306
070	Handle, black.....	12305
071	Screw 3,5x25 stainless steel.....	70020



the coffemaker makers.

MOCCAMASTER

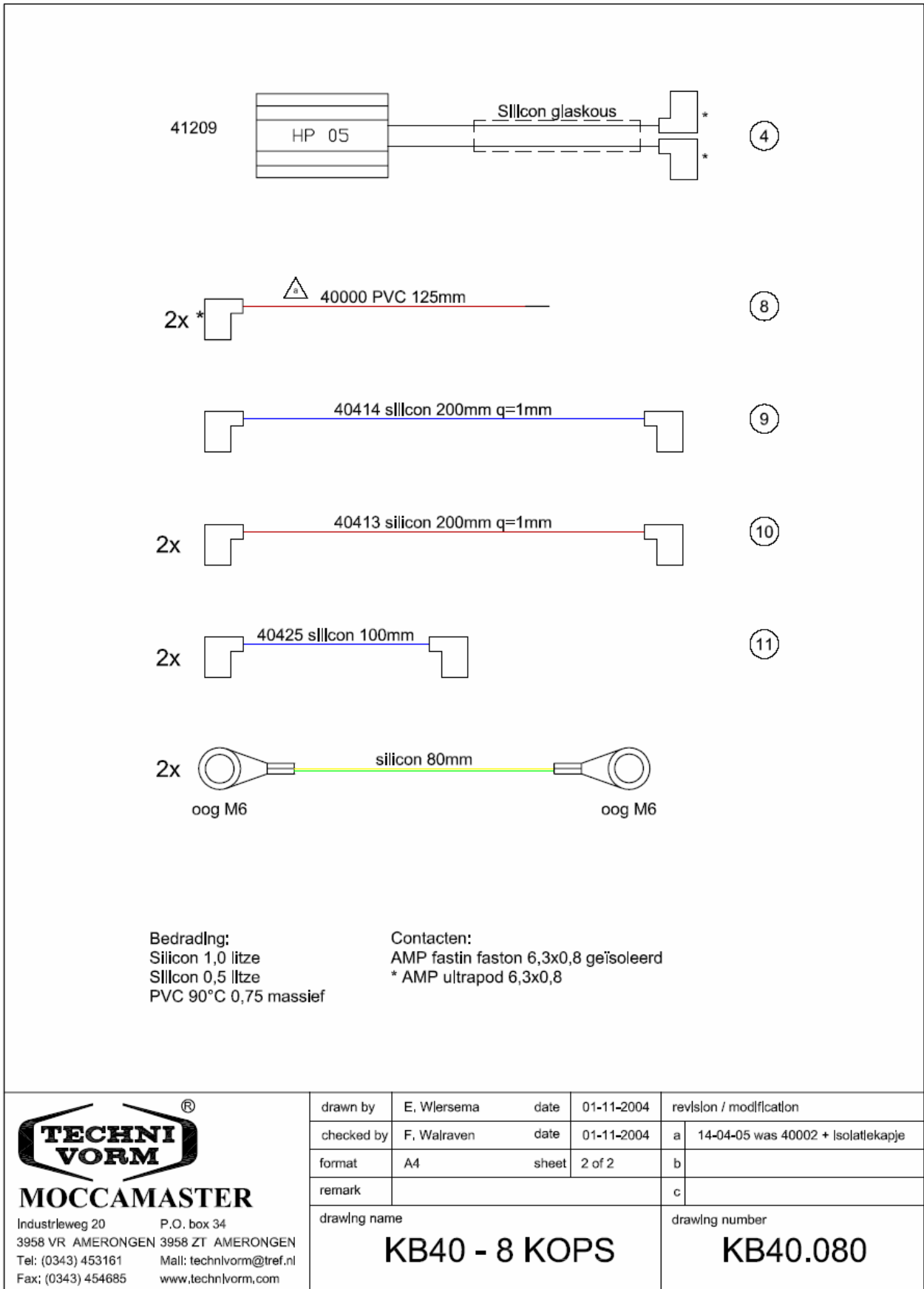
KB 40 electrical diagram

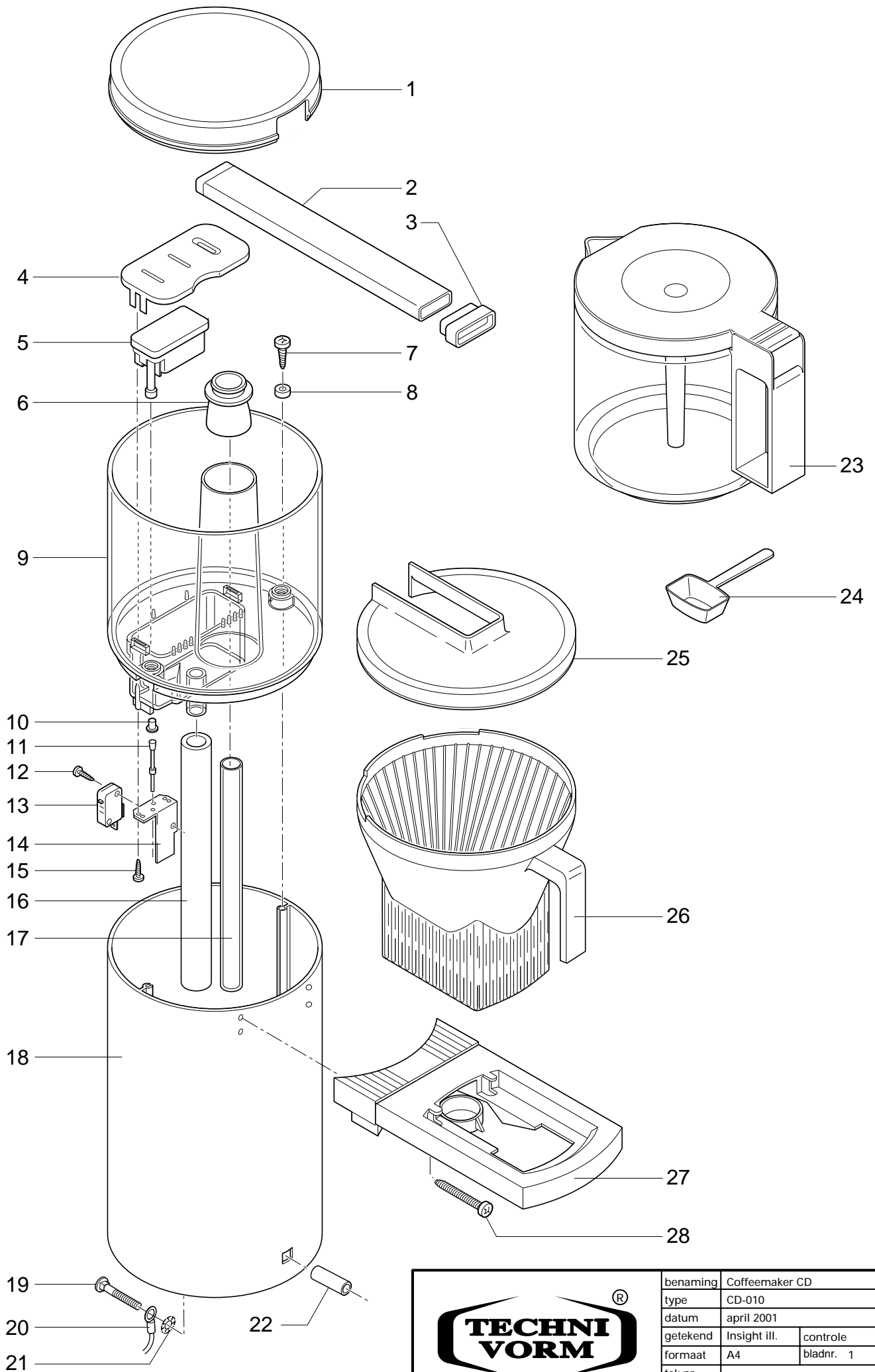



MOCCAMASTER
 Industrleweg 20 P.O. box 34
 3958 VR AMERONGEN 3958 ZT AMERONGEN
 Tel: (0343) 453161 Mail: technivorm@tref.nl
 Fax: (0343) 454685 www.technivorm.com

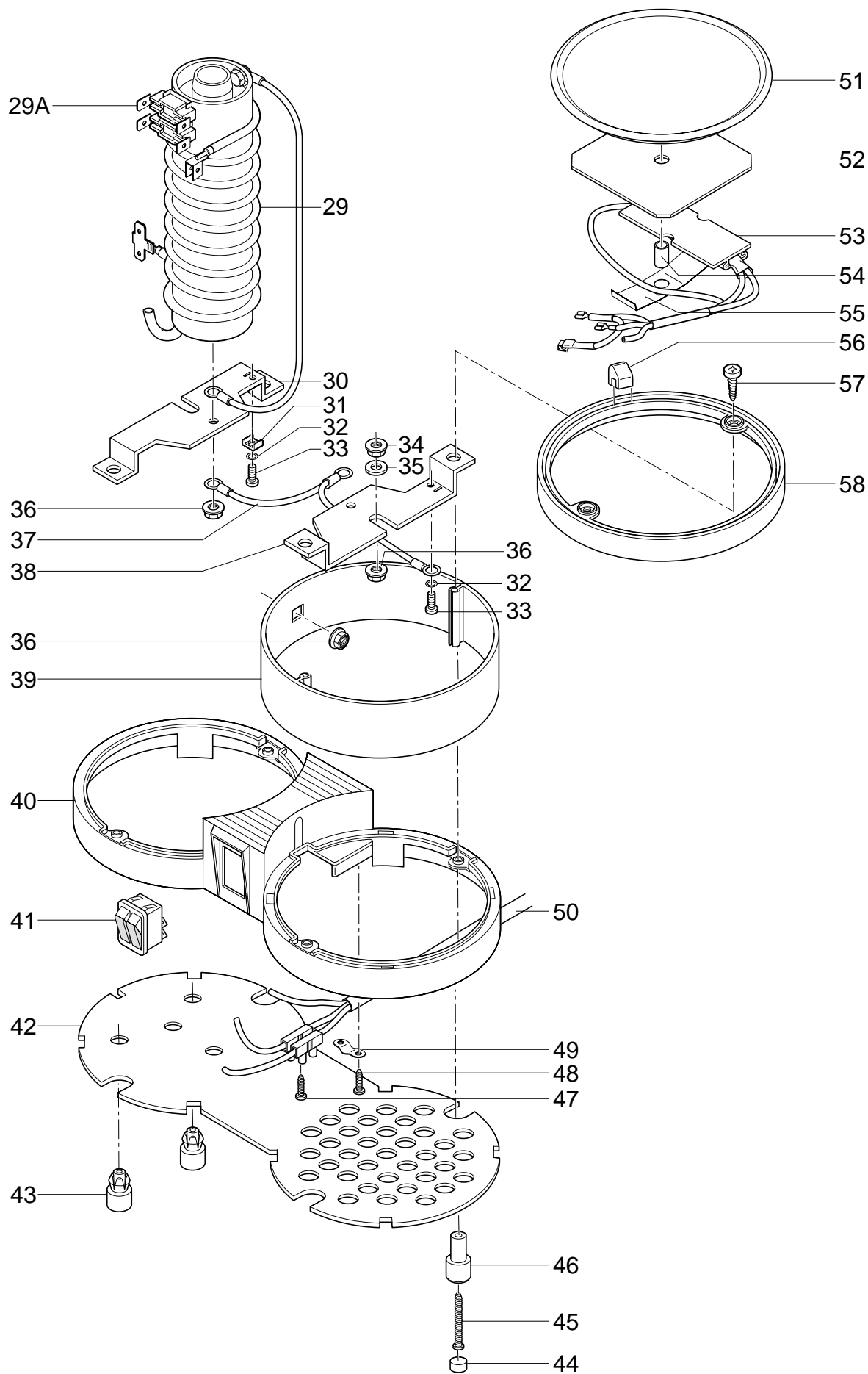
drawn by	E Wlserema	date	01-11-2004	revision / modification
checked by	F Walraven	date	01-11-2004	a 14-04-05 was 40002 + Isolatiekapje
format	A4	sheet	1 of 2	b
remark				c
drawing name			drawing number	
KB40 - 8 KOPS			KB40.080	


KB 40 electrical diagram





 TECHNI VORM		benaming	Coffeemaker CD	
		type	CD-010	
		datum	april 2001	
		getekend	Insight ill.	controle
		formaat	A4	bladnr. 1
		tek.nr.		
AMERONGEN - HOLLAND				



 <p>TECHNI VORM AMERONGEN - HOLLAND</p>	benaming	Coffeemaker CD	
	type	CD-010	
	datum	april 2001	
	getekend	Insight ill.	controle
	formaat	A4	bladnr. 2
	tek.nr.		

SPARES LIST FOR CD-010

Item:	Description	Code:
001	Lid, coldwatercontainer	13020
002	Outletpipe, complete (Incl. 003)	53021
↳	Outletpipe Norway, complete (Incl. 003)	53055
003	Rubber closing pad	63011
004	Float hood, stainless steel	54130
005	Float	12235
006	Rubber adapter	60010
007	Screw, stainless steel	70032
008	Rubber sealing washer	61190
009	Coldwater container	11005
↳	Barrier (CSA us)	11306
010	Tightening socket	12220
011	Switch pawl	54155
012	Screw, M3x16	73000
013	Microswitch	43335
↳	Microswitch (CSA us)	43330
014	Fixingplate microswitch	54151
015	Screw 2,9x9,5	73050
016	Rubber tube, 150mm	60110
017	Glass tube, 168,5mm	31110
018	Housing CD 205mm, silver polished	58860
↳	Housing CD 205mm, stone gray	58880
↳	Housing CD 205mm, brushed	58881
019	Bolt M6x35	71090
020	Earth wire	40431
021	Washer 8,2mm	74017
022	Steel bush 6x8x22	71080
023	Jug (complete, including lid)	30300
024	Measuring spoon	88104
025	Filter lid, black	13112
026	Filter black, complete	13252
027	Filterbracket, assembly	12640
028	Screw, 4,2x16	70041
029	Boiling element, 1450W-230V	45148
↳	Boiling element, 1310W-240V	45150
↳	Boiling element, 1400W-120V	45112
029A	Thermostat 145°C. / Thermofuse	46265
030	Elementbracket	51495
031	Tightening clip	54161
032	Lock washer, M4	74020
033	Screw, M4x10	71010
034	Nut, M6x3	72005
035	Washer M6	74037
036	Nut, M6	72110
037	Earth wire (same as 20)	40431
038	Elementbracket	51495
039	Housing hotplate element, silver polished	58861
↳	Housing hotplate element, stone gray	58878
↳	Housing hotplate element, brushed	58882
040	Baseplate	15500
↳	Baseplate (CSA us)	15501
041	Switch	43004
042	Bottom plate	11330
↳	Bottom plate (CSA us)	11332
043	Support	12340



the coffeemaker makers.

MOCCAMASTER

SPARES LIST FOR CD-010

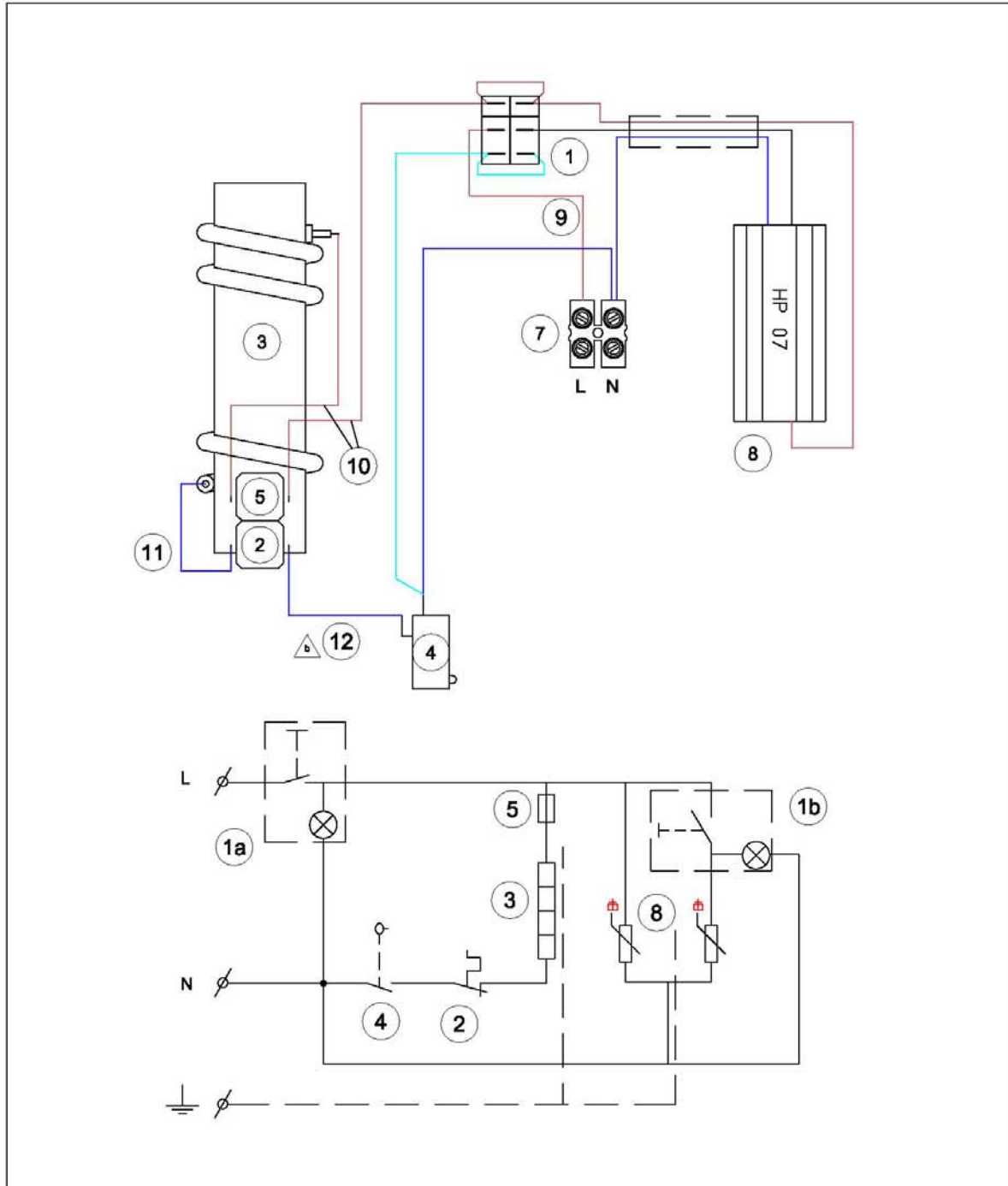
Item:	Description	Code:
044	Rubber feet.....	62450
045	Screw, 4,2x32.....	70026
046	Feet	11269
047	Screw, 3,5x13.....	70055
048	Screw, 3,5x13.....	70055
049	Cord anchorage.....	78175
↳	Cord anchorage (CSA us).....	78177
050	Supply cord 3x1, black	44347
↳	Supply cord 3x 16 awg	44026
051	Hotplate oven enamelled	52155
↳	Hotplate chromium	52154
052	Aluminium disk	55410
053	Ptc hotplate element.....	41228
↳	Ptc hotplate element (CSA us).....	41224
054	Steel bush	74075
055	Tighteningspring hotplate element.....	56976
056	Hotplate support.....	15330
057	Screw, 4,2x13 stainless steel.....	70040
058	Hotplate support.....	11430



the coffemaker makers.

MOCCAMASTER

CD – 010 electrical diagram



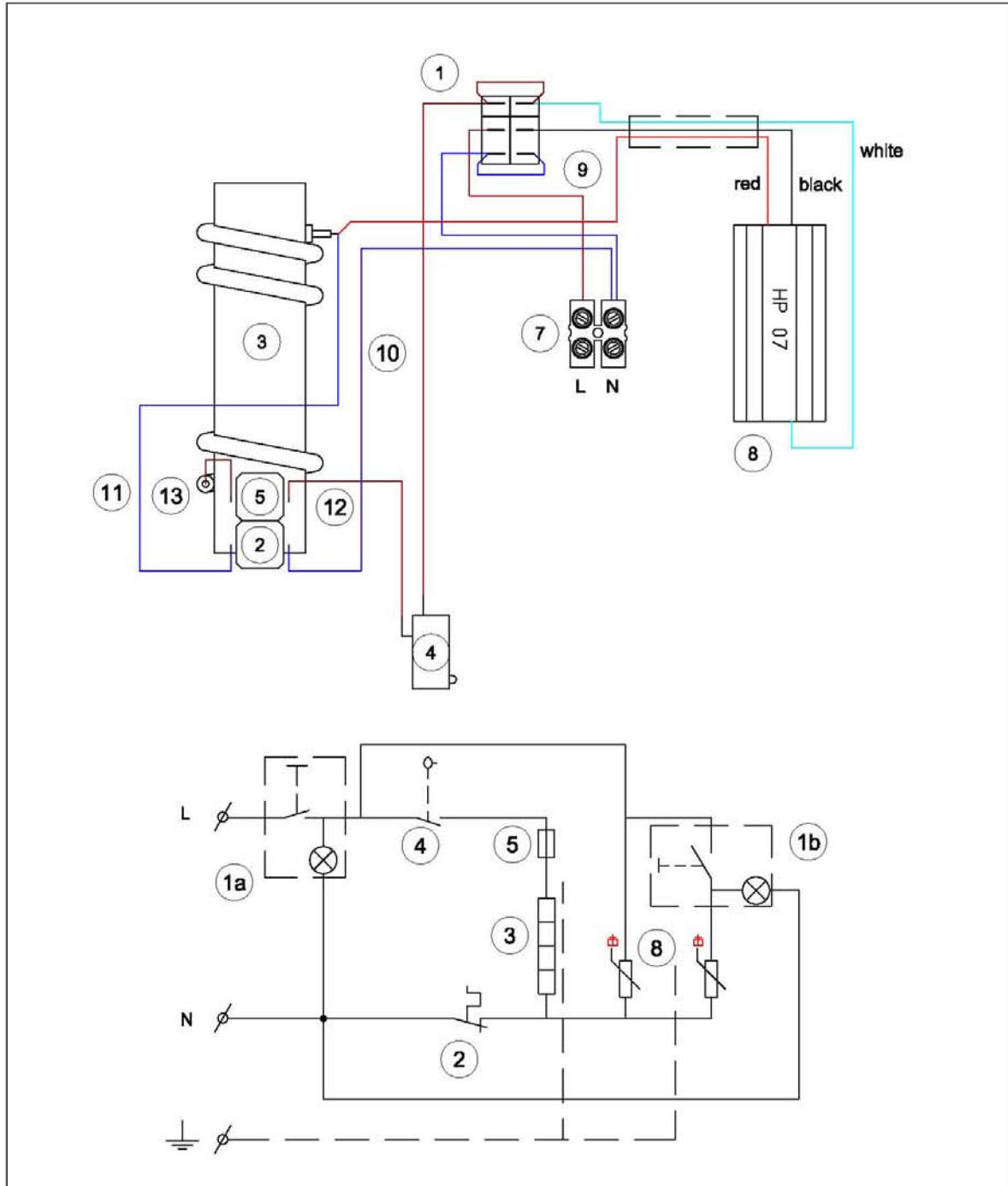
<p>MOCCAMASTER Industrieweg 20 P.O. box 34 3958 VR AMERONGEN 3958 ZT AMERONGEN Tel: (0343) 453181 Mail: technivorm@tref.nl Fax: (0343) 454685 www.technivorm.com</p>	drawn by	E. Wiersema	date	02-09-2004	revision / modification
	checked by	F. Walraven	date	02-09-2004	a
	format	A4	sheet	1 of 2	b 020106 40414 was 40425
	remark				c
	drawing name	CD			drawing number



the coffemaker makers.

MOCCAMASTER

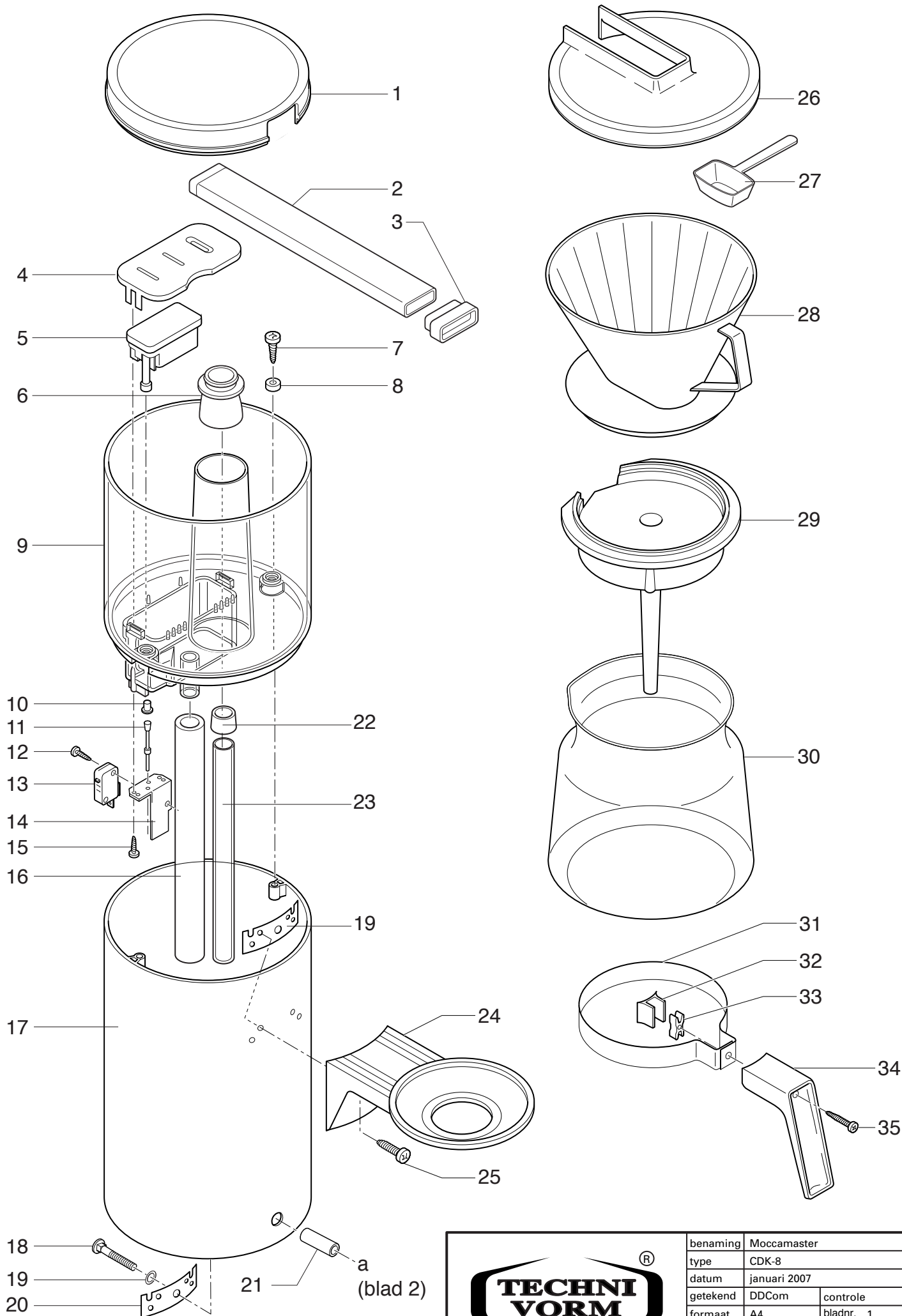
CD – 010 electrical diagram 120V




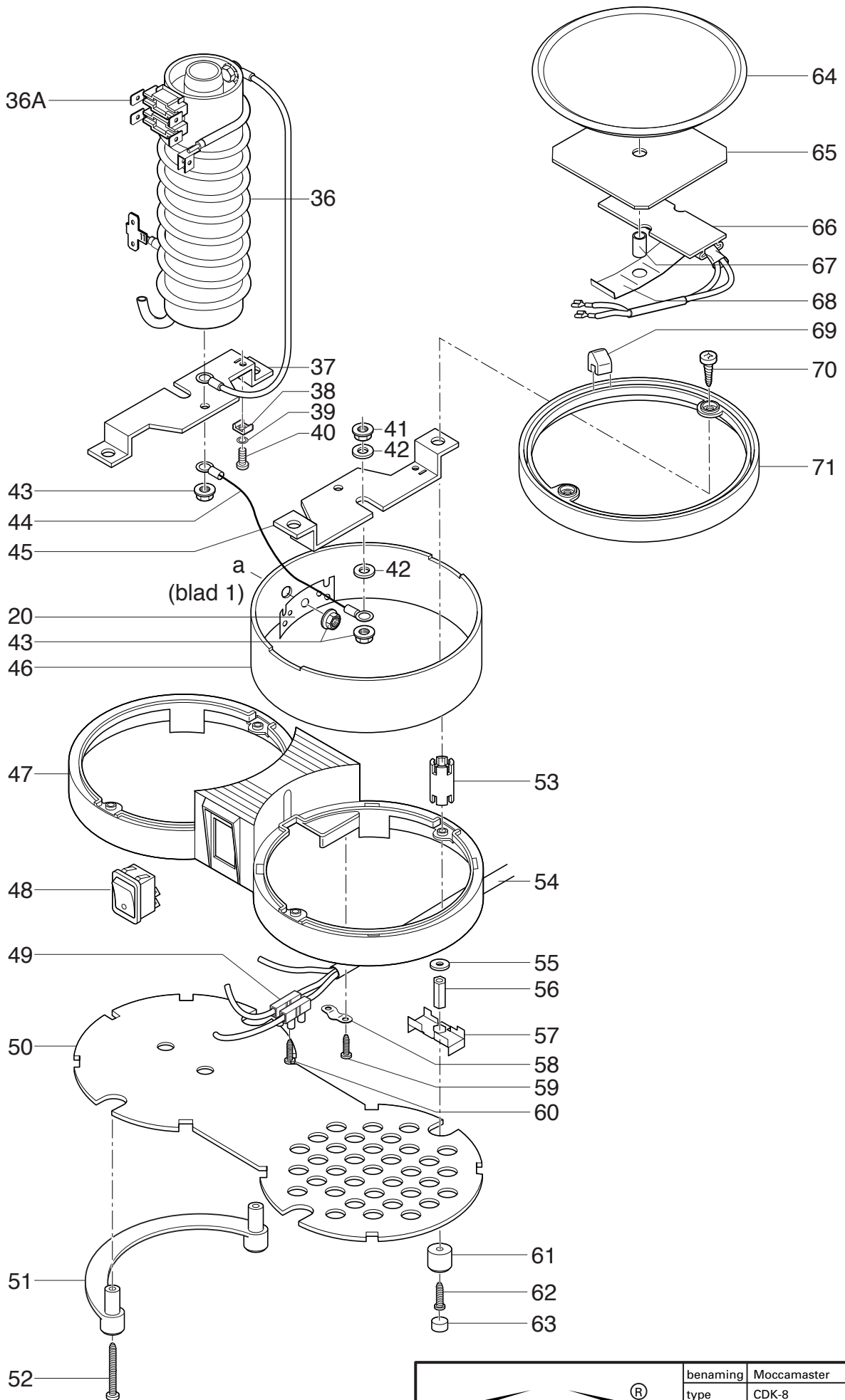
MOCCAMASTER


Industrieweg 20 P.O. box 34
 3958 VR AMERONGEN 3958 ZT AMERONGEN
 Tel: (0343) 453181 Mail: technivorm@tref.nl
 Fax: (0343) 454685 www.technivorm.com

drawn by	E. Wiersema	date	20-12-2005	revision / modification
checked by	F. Walraven	date	20-12-2005	a
format	A4	sheet	1 of 2	b
remark	120V - UL			c
drawing name	CD, 120V			drawing number
				CD-010-013



 <p>TECHNI VORM AMERONGEN-HOLLAND</p>	benaming	Moccamaster	
	type	CDK-8	
	datum	januari 2007	
	getekend	DDCom	controle
	formaat	A4	bladnr. 1
	tek.nr.		



		benaming	Moccamaster
		type	CDK-8
		datum	januari 2007
		getekend	DDCom controle
		formaat	A4 bladnr. 2
		tek.nr.	
AMERONGEN-HOLLAND			



the coffeemaker makers.

MOCCAMASTER

SPARES LIST FOR CDK-008

Item:	Description	Code:
001	Lid, coldwatercontainer	13020
002	Outletpipe, complete (Incl. 003)	53021
↳	Outletpipe Norway, complete (Incl. 003)	53055
003	Rubber closing pad	63011
004	Float hood, stainless steel	54130
005	Float	12235
006	Rubber adapter	60015
007	Screw, stainless steel, 4,0x16	71155
008	Rubber sealing washer	61190
009	Coldwater container 1 ltr	11006
010	Tightening socket	12220
011	Switch pawl	54155
012	Screw, M3x16	73000
013	Microswitch,	43335
↳	Microswitch, complete (Incl. 12,13,14)	43336
014	Fixingplate microswitch	54151
015	Screw 2,9x9,5	73050
016	Rubber tube, 155mm	60110
017	Housing CDK 008	11680
018	Bolt M6x40	71092
019	Spring washer 6mm	74023
020	Fixation bracket	52351
021	Steel bush 6x8x22	71080
022	Fixation part	11436
023	Glass tube, 139mm	31085
024	Filterbracket	12786
025	Screw, 4,2x16	70041
026	Filter lid, black	13112
027	Measuring spoon	88104
028	Filter black,	13235
029	Mixing lid, black	13385
030	Jug, 1,0 ltr	30405
031	Neckband jug	56941
032	Closing part handle, black	12307
033	Screw part handle, black	12306
034	Handle, black	12305
035	Screw, 3,5x25 stainless steel	70020
036	Boiling element, 1450W-230V	45149
↳	Boiling element, 1310W-240V	45163
036A	Thermostat 145°C. / Thermofuse	46265
037	Elementbracket	51495
038	Tightening clip	54161
039	Lock washer, M4	74020
040	Screw, M4x10	71010
041	Nut, M6x5	72035
042	Washer M6	74037
043	Nut, M6	72110
044	Earth wire	40501
045	Elementbracket	51495
046	Housing hotplate element	15420
047	Baseplate	15520
048	Switch	43005
049	Block terminal	46069
050	Bottom plate	11330
051	Feet CD/CDK	11275



the coffeemaker makers.

MOCCAMASTER

SPARES LIST FOR CDK-008

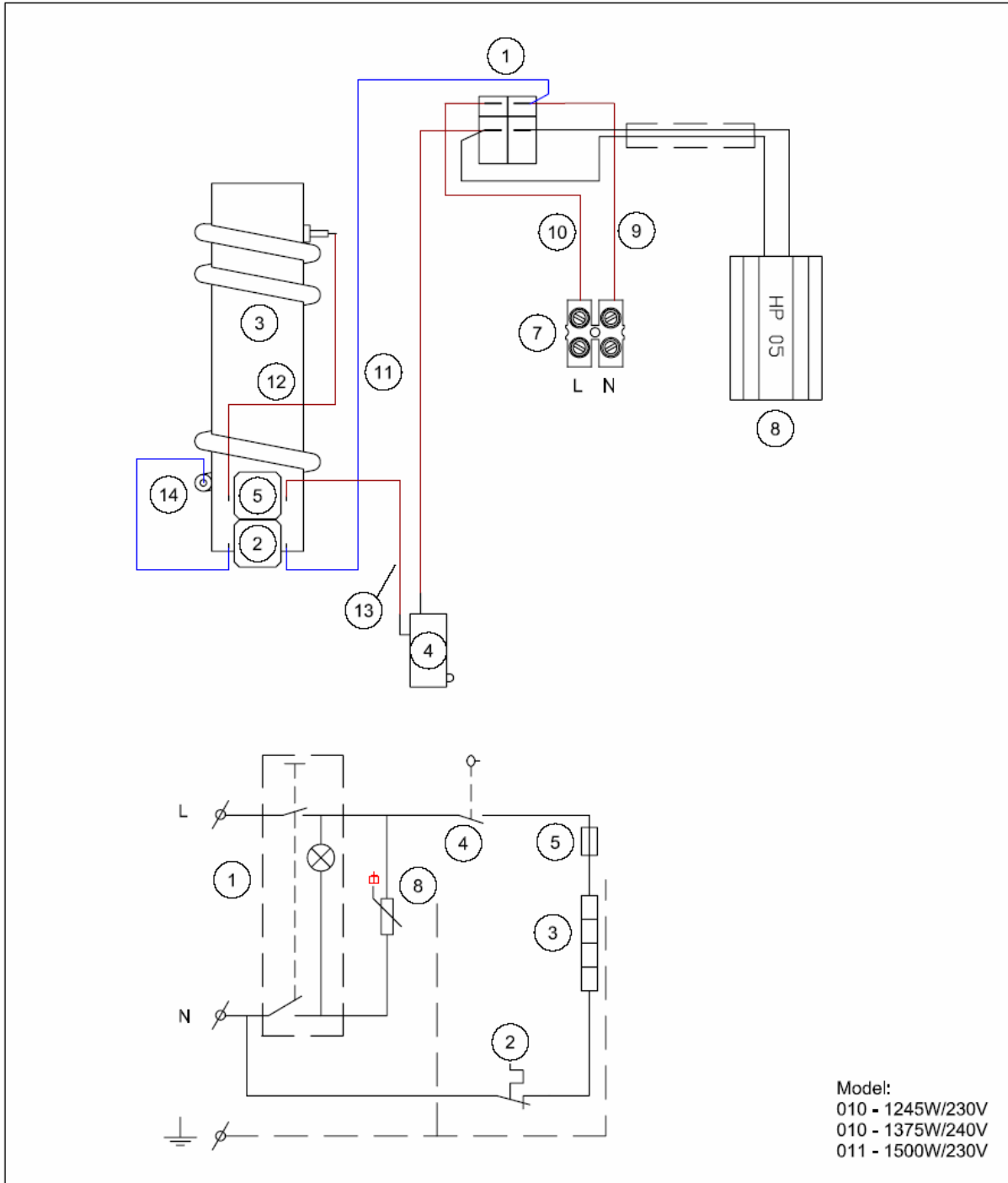
Item:	Description	Code:
052	Plastite screw, 4,0x35	71150
053	Nylon shell.....	63105
054	Supply cord 3x 0,75 mm ²	44018
055	Nylon washer.....	12336
056	Spacer	71085
057	Securing part	54046
058	Cord anchorage.....	78175
059	Screw, 3,5x13.....	70055
060	Screw, 3,5x13.....	70055
061	Feet CDK.....	11273
062	screw M4x8	71045
063	Rubber feet.....	62450
064	Hotplate chromium	52147
065	Aluminium disk	55410
066	Ptc hotplate element.....	41221
067	Steel bush	74075
068	Tighteningspring hotplate element.....	56976
069	Hotplate support.....	15331
070	Screw, M4x40 stainless steel.....	71042
071	Hotplate support ring.....	11430



the coffeemaker makers.

MOCCAMASTER

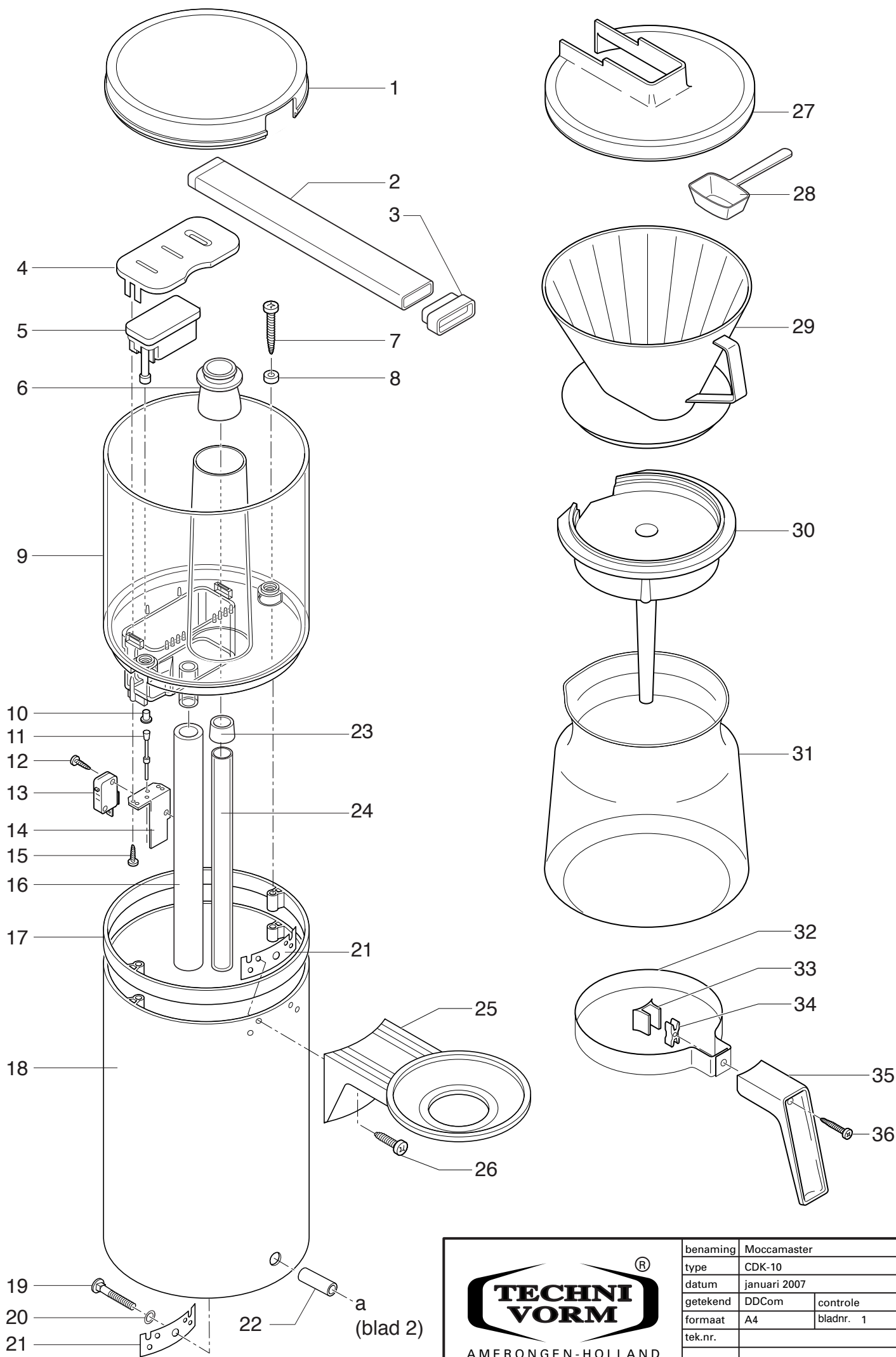
CDK – 008 electrical diagram




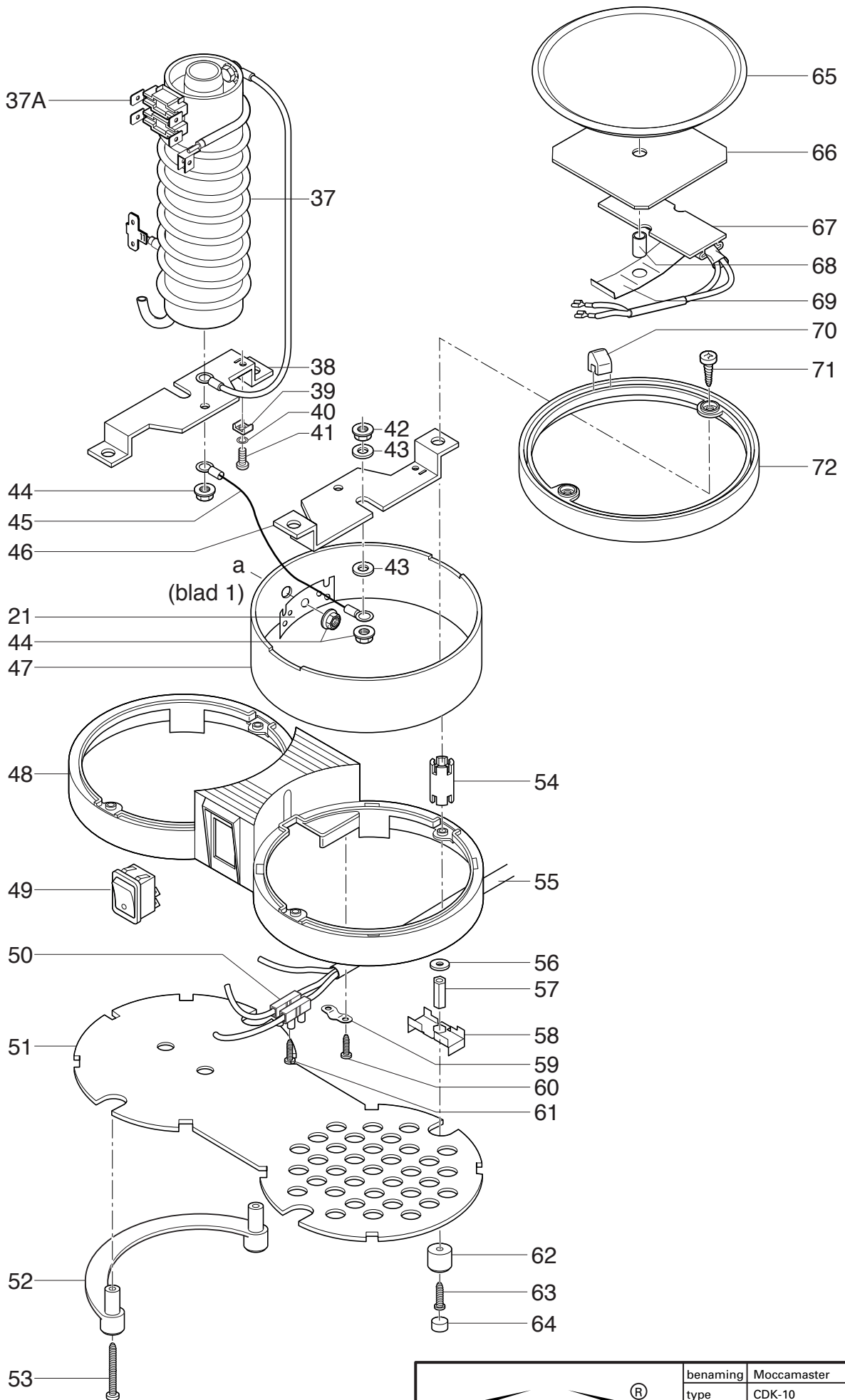
MOCCAMASTER


Industrieweg 20 P.O. box 34
 3958 VR AMERONGEN 3958 ZT AMERONGEN
 Tel: (0343) 453161 Mail: technivorm@tref.nl
 Fax: (0343) 454685 www.technivorm.com

drawn by	EW	date	01-03-2006	revision / modification
checked by	FW	date	01-03-2006	a
format	A4	sheet	1 of 2	b
remark				c
drawing name	CDK 10			drawing number
				CDK-010



 TECHNI VORM [®] AMERONGEN-HOLLAND		benaming	Moccamaster
		type	CDK-10
		datum	januari 2007
		getekend	DDCom controle
		formaat	A4 bladnr. 1
		tek.nr.	



		benaming	Moccamaster	
		type	CDK-10	
		datum	januari 2007	
		getekend	DDCom	controle
		formaat	A4	bladnr. 2
		tek.nr.		
AMERONGEN-HOLLAND				



the coffeemaker makers.

MOCCAMASTER

SPARES LIST FOR CDK-010

Item:	Description	Code:
001	Lid, coldwatercontainer	13020
002	Outletpipe, complete (Incl. 003)	53021
↳	Outletpipe Norway, complete (Incl. 003)	53055
003	Rubber closing pad	63011
004	Float hood, stainless steel	54130
005	Float	12235
006	Rubber adapter	60015
007	Screw, stainless steel, 4,0x30	71160
008	Rubber sealing washer	61190
009	Coldwater container	11005
010	Tightening socket	12220
011	Switch pawl	54155
012	Screw, M3x16	73000
013	Microswitch,	43335
↳	Microswitch, complete (Incl. 12,13,14)	43336
014	Fixingplate microswitch	54151
015	Screw 2,9x9,5	73050
016	Rubber tube, 165mm	60105
017	Extension piece	11620
018	Housing CDK 010	11690
019	Bolt M6x40	71092
020	Spring washer 6mm	74023
021	Fixation bracket	52351
022	Steel bush 6x8x22	71080
023	Fixation part	11436
024	Glass tube, 178,5mm	31120
025	Filterbracket	12786
026	Screw, 4,2x16	70041
027	Filter lid, black	13100
028	Measuring spoon	88104
029	Filter black,	13235
031	Mixing lid, black	13380
031	Jug, 1,25 ltr	30105
032	Neckband jug	56941
033	Closing part handle, black	12307
034	Screw part handle, black	12306
035	Handle, black	12305
036	Screw, 3,5x25 stainless steel	70020
037	Boiling element, 1450W-230V	45149
↳	Boiling element, 1310W-240V	45163
035A	Thermostat 145°C. / Thermofuse	46265
038	Elementbracket	51495
039	Tightening clip	54161
040	Lock washer, M4	74020
041	Screw, M4x10	71010
042	Nut, M6x5	72035
043	Washer M6	74037
044	Nut, M6	72110
045	Earth wire	40501
046	Elementbracket	51495
047	Housing hotplate element	15420
048	Baseplate	15520
049	Switch	43005
050	Block terminal	46069
051	Bottom plate	11330



the coffeemaker makers.

MOCCAMASTER

SPARES LIST FOR CDK-010

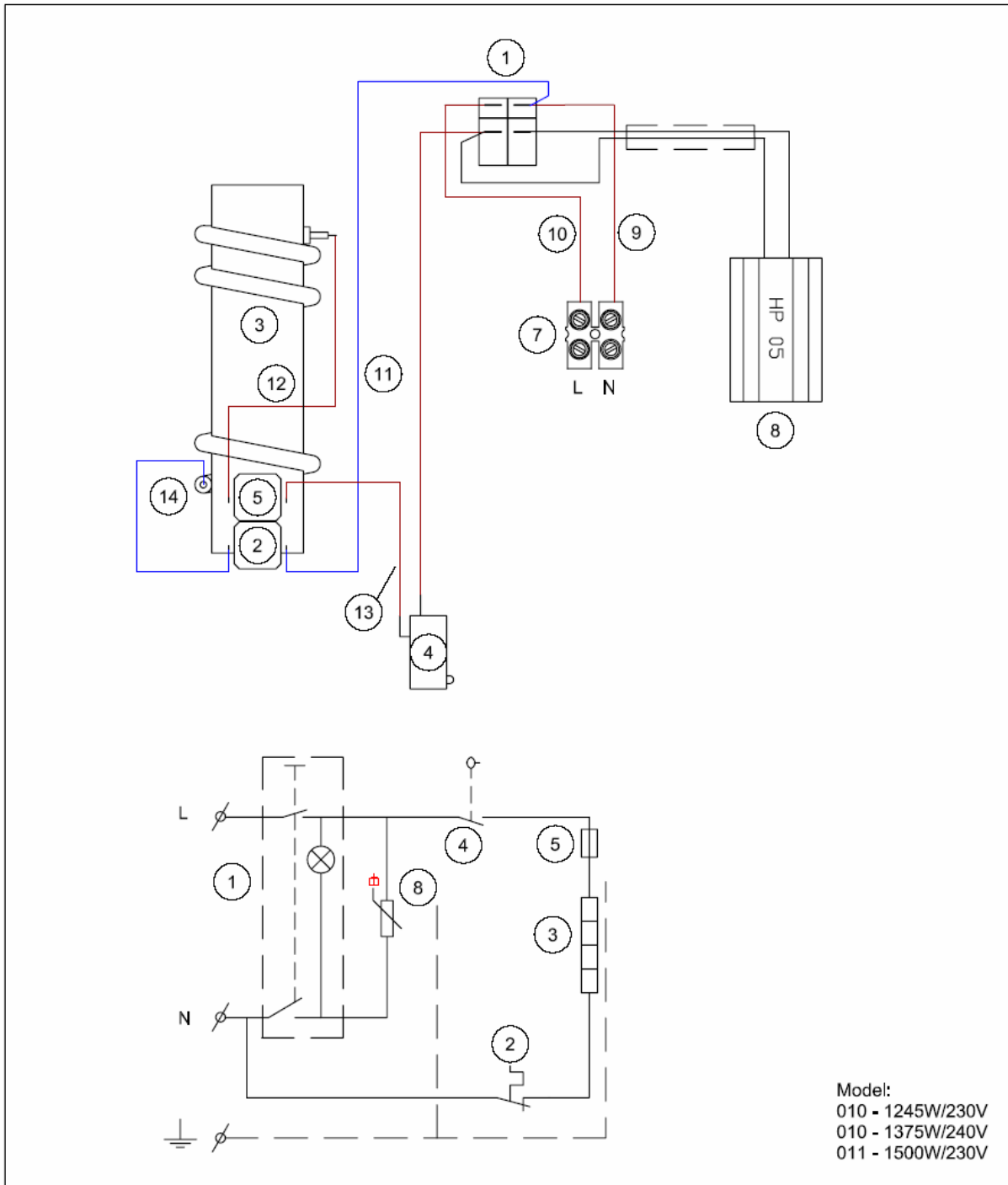
Item:	Description	Code:
052	Feet CD/CDK	11275
053	Plastite screw, 4,0x35	71150
054	Nylon shell.....	63105
055	Supply cord 3x 0,75 mm ²	44018
056	Nylon washer.....	12336
057	Spacer	71085
058	Securing part	54046
059	Cord anchorage.....	78175
060	Screw, 3,5x13.....	70055
061	Screw, 3,5x13.....	70055
062	Feet CDK.....	11273
063	screw M4x8	71045
064	Rubber feet.....	62450
065	Hotplate chromium	52147
066	Aluminium disk	55410
067	Ptc hotplate element.....	41221
068	Steel bush	74075
069	Tighteningspring hotplate element.....	56976
070	Hotplate support.....	15331
071	Screw, M4x40 stainless steel.....	71042
072	Hotplate support ring.....	11430



the coffeemaker makers.

MOCCAMASTER

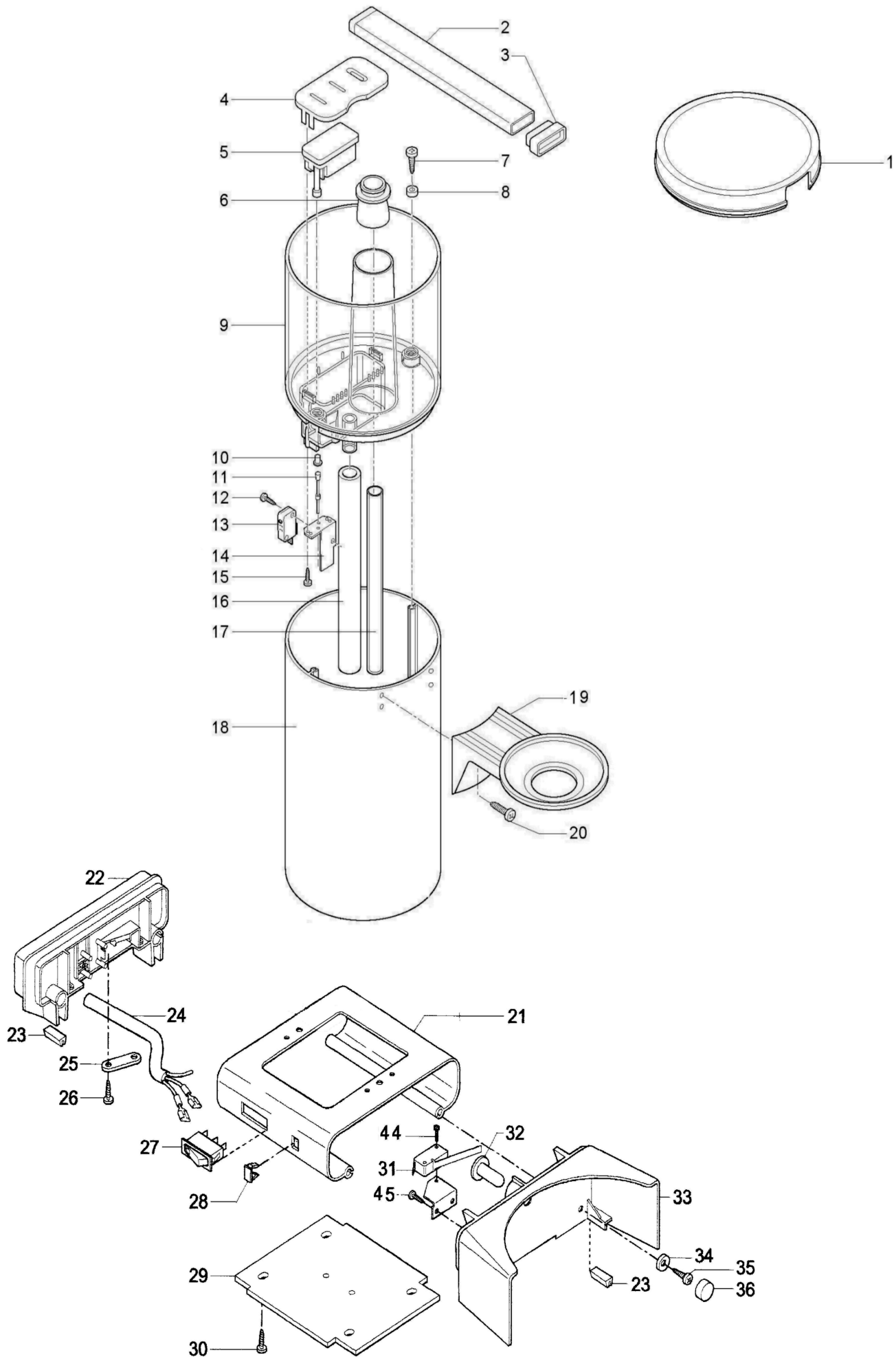
CDK – 010 electrical diagram




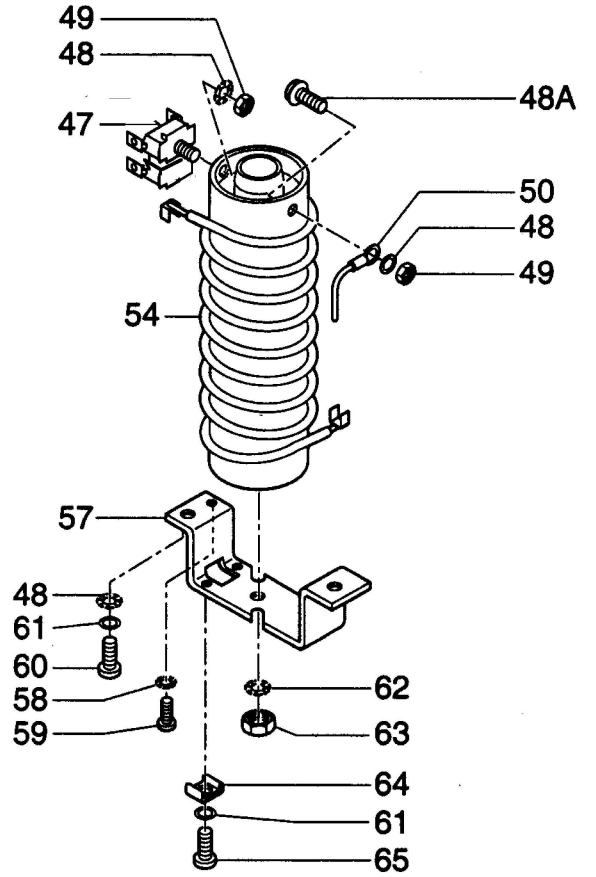
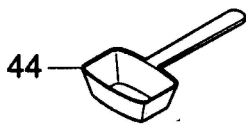
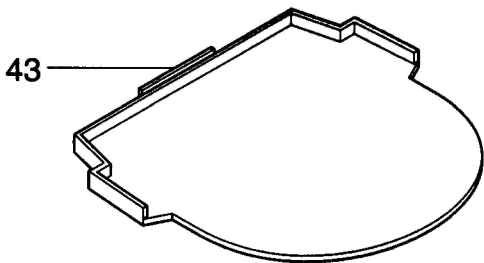
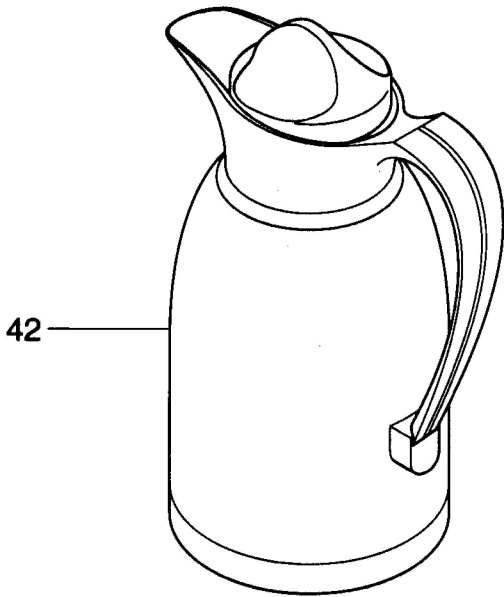
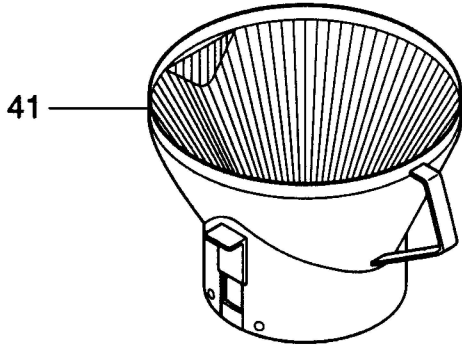
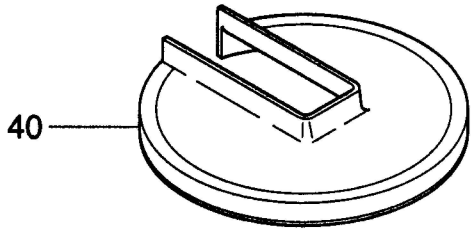
MOCCAMASTER


Industrieweg 20 P.O. box 34
 3958 VR AMERONGEN 3958 ZT AMERONGEN
 Tel: (0343) 453161 Mail: technivorm@tref.nl
 Fax: (0343) 454685 www.technivorm.com

drawn by	EW	date	01-03-2006	revision / modification
checked by	FW	date	01-03-2006	a
format	A4	sheet	1 of 2	b
remark				c
drawing name	CDK 10			drawing number
				CDK-010



 <p>AMERONGEN - HOLLAND</p>	benaming	Coffeemaker CD-Thermo		
	type	CDT-010		
	datum	Sept 2007		
	getekend	Insight ill.	controle	
	formaat	A4	bladnr. 1	
	tek.nr.			



 TECHNI VORM AMERONGEN-HOLLAND	benaming	Coffeemaker CD-Thermo	
	type	CDT-010	
	datum	Sept 2007	
	getekend	Insight ill.	controle
	formaat	A4	bladnr. 2
	tek.nr.		



the coffeemaker makers.

MOCCAMASTER

SPARES LIST FOR CDT-010

Table with 3 columns: Item, Description, Code. Lists various spare parts for the CDT-010 model, including lid, outletpipe, rubber parts, screws, switches, and housing components.



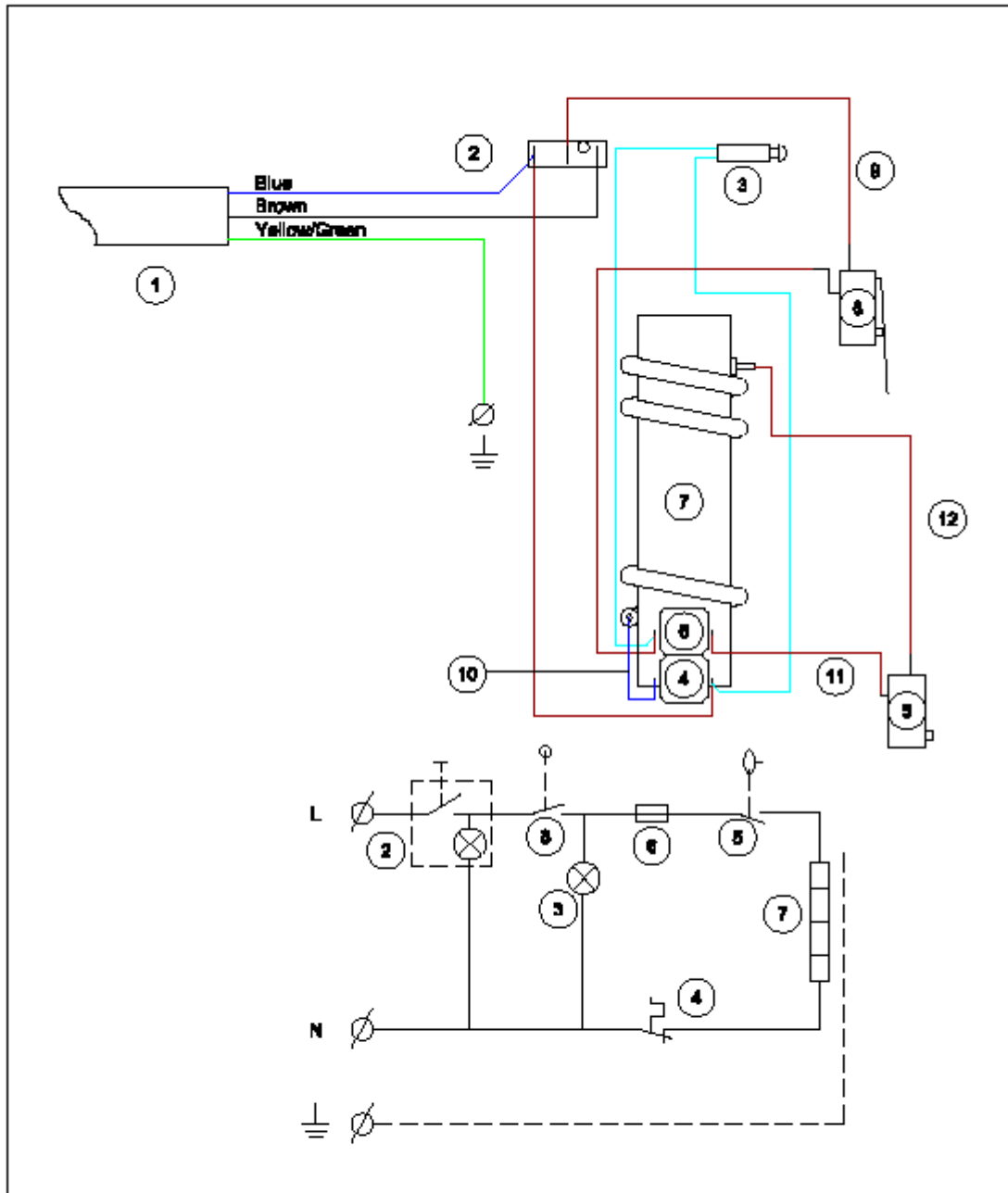
the coffeemaker makers.


MOCCAMASTER

SPARES LIST FOR CDT-010

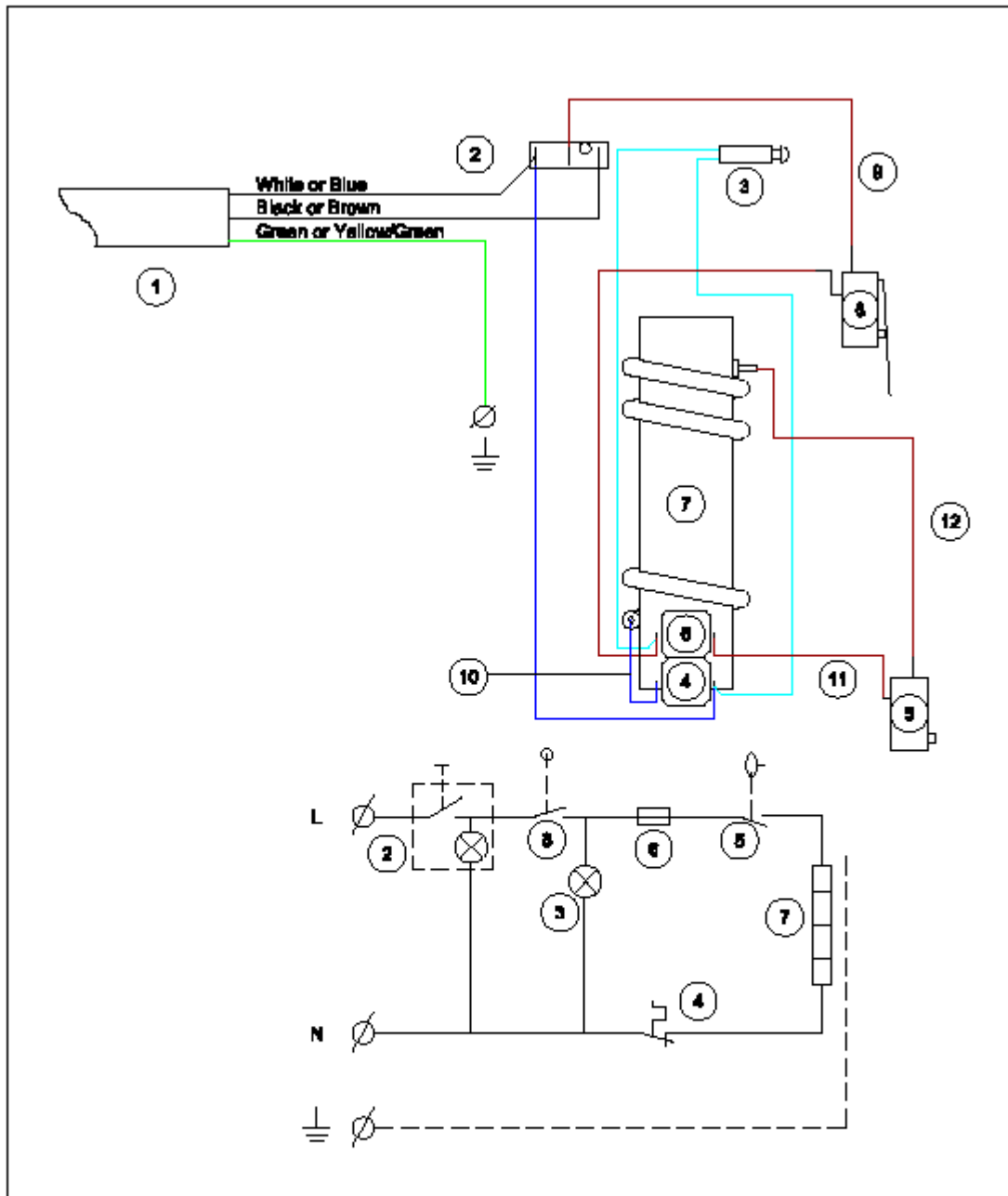
Item:	Description	Code:
045	Screw 2,9x9,5.....	73050
046	Measuring spoon.....	88104
047	Thermostat- / Thermo fuse combination.	46265
048	Lock washer M4	74010
048A	Screw with lock washer	71044
049	Nut M4	72020
050	Earth wire, 200mm	40565
054	Boiling element, 1450W-230V	45149
↳	Boiling element, 1400W-120V.....	45113
↳	Boiling element, 1310W-240V.....	45163
057	Element bracket assembly (Incl. 61, 64, 65).....	51493
059	Screw M3x10.....	73031
060	Screw 4,2x19.....	70081
061	Lock washer M4	74020
062	Lock washer M6	74025
063	Nut M6x15	72035
064	Tightening clip	54161
065	Screw M4x10.....	71010


CDT – 010 electrical diagram

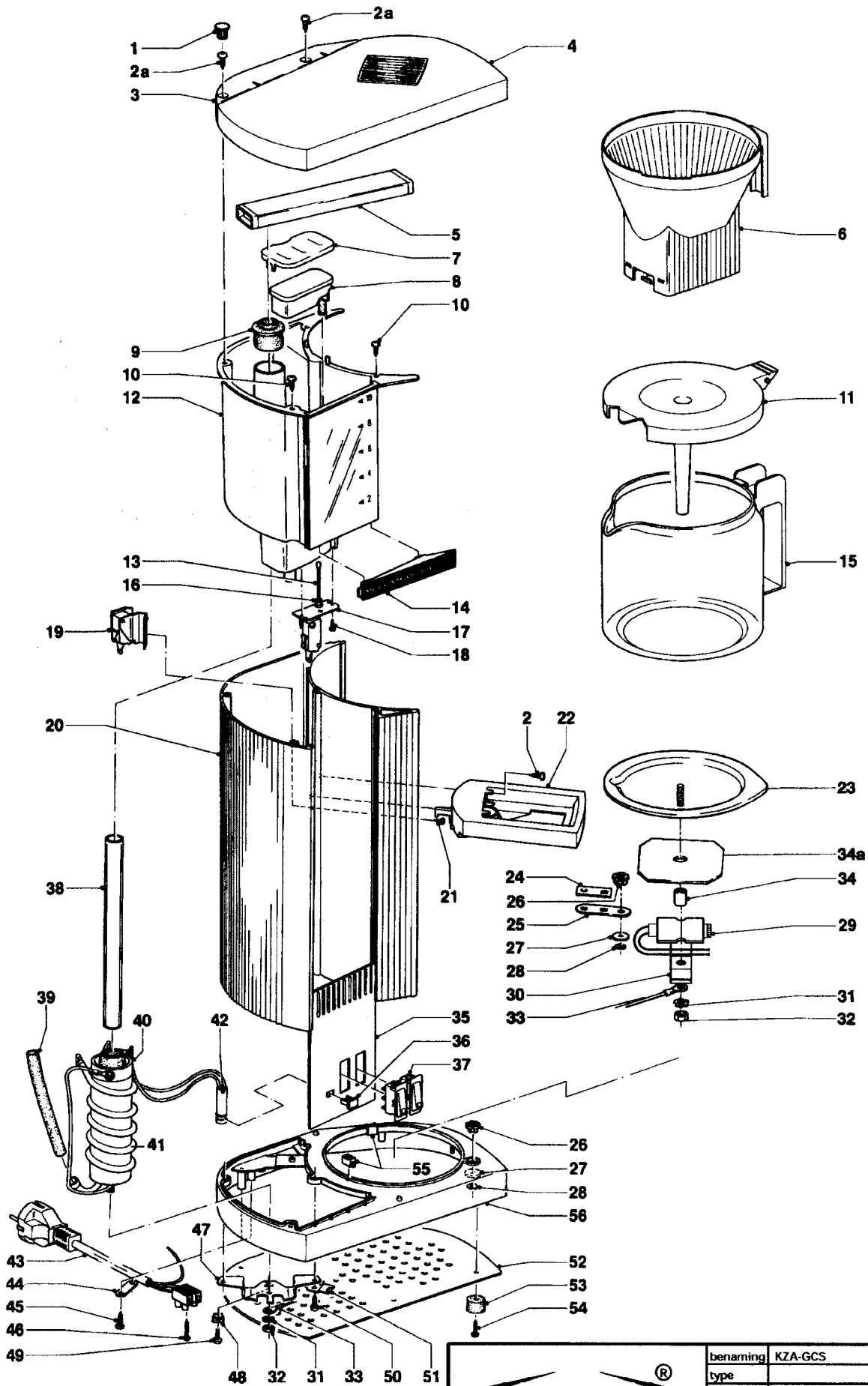



 <p>MOCCAMASTER Industrieweg 20 P.O. box 84 3688 VU AMERONGEN 3688 ZT AMERONGEN Tel: (0343) 462181 Mail: technivorm@techni.nl Fax: (0343) 464886 www.technivorm.com</p>	drawn by	EDW	date	25-08-2008	revision / modification
	checked by	FW	date	25-08-2008	a
	format	A4	sheet	1 of 2	b
	remark				c
	drawing name	CD Thermo			drawing number

CDT- 010 electrical diagram 120V



 <p>MOCCAMASTER Industrieweg 20 P.O. box 34 3060 VR AMERONGEN 3060 ZT AMERONGEN Tel: (0343) 452181 Mail: technivorm@nl.nl Fax: (0343) 454886 www.technivorm.com</p>	drawn by	EDW	date	06-10-2006	revision / modification
	checked by	FW	date	06-10-2006	a
	format	A4	sheet	1 of 2	b
	remark	120V (UL)			c
	drawing name	CD Thermo 120V			drawing number
				CDT-010-013	



 TECHNI VORM AMERONGEN-HOLLAND	benaming	KZA-GCS	
	type		
	datum	january 2004	
	getekend		controle
	formaat		bladnr.
	tek.nr.		



the coffeemaker makers.

AMERONGEN - HOLLAND

SPARES LIST FOR GCS

Item.	Description.	Code.
001	Coverplug lid	13041
002	Screw 4,2x13	70040
003	Lid part A+B (Item 3+4).....	13043
005	Outletpipe.....	53040
↳	Outletpipe Norway	53055
006	Filterholder assembly.....	13252
007	Floathood	54130
008	Float	12235
009	Rubber adapter	60015
010	Screw 4,2x13 stainless steel.....	70040
011	Lid jug.....	13360
012	Cold watercontainer	11093
↳	Cold watercontainer, Norway.....	11092
013	Switch pawl	54155
014	Middle separation "moccamaster".....	15400
015	Glass jug	30201
016	Tightening socket.....	12220
017	Microswitch	43341
↳	Microswitch 16 amp	43336
018	Screw 2,9x6,5	73050
019	Innerswitch assembly.....	43355
020	Housing, silver polished	58800
↳	Housing, gold polished.....	58805
↳	Housing, white.....	58810
↳	Housing, black.....	58815
↳	Housing, blue	58820
↳	Housing, bordeaux.....	58852
↳	Housing, green.....	58857
021	Screw 2,9x6,5	73060
022	Filterbracket assembly	12601
023	Hotplate oven enamelled	52425
024	Insulation disc	14400
025	Fixationbracket hotplate.....	52310
026	Hotplate support A	15300
027	Insulation disc	62410
028	Fastener	78250
029	Ptc hotplate element, assembly.....	41201
030	Tighteningspring hotplate element.....	56976
031	Lock washer M6.....	74025
032	Nut M6.....	72035
033	Earthwire 140mm.....	40501
034	Steel bush	74075
034A	Aluminium disc hotplate	55410
035	Switchpanel.....	14200
036	Lens scale indicator	43671
037	Illuminated switch.....	43048
038	Glass tube 178,5mm.....	31120
039	Rubber tube 130mm	60120
040	Thermostat / thermofuse combination	46260
041	Boilingelement 1100W-230V	45156
↳	Boilingelement 1430W-230V	45157
↳	Boilingelement 1400W-120V	45158
042	Scale indicator lamp.....	43670
043	Flex Flex with plug, 3x1, black.....	44345
043	Flex with plug, 3x1, black.....	44345
↳	Flex with plug, 3x0,75 UL USA	44126
044	Cord anchorage	78175



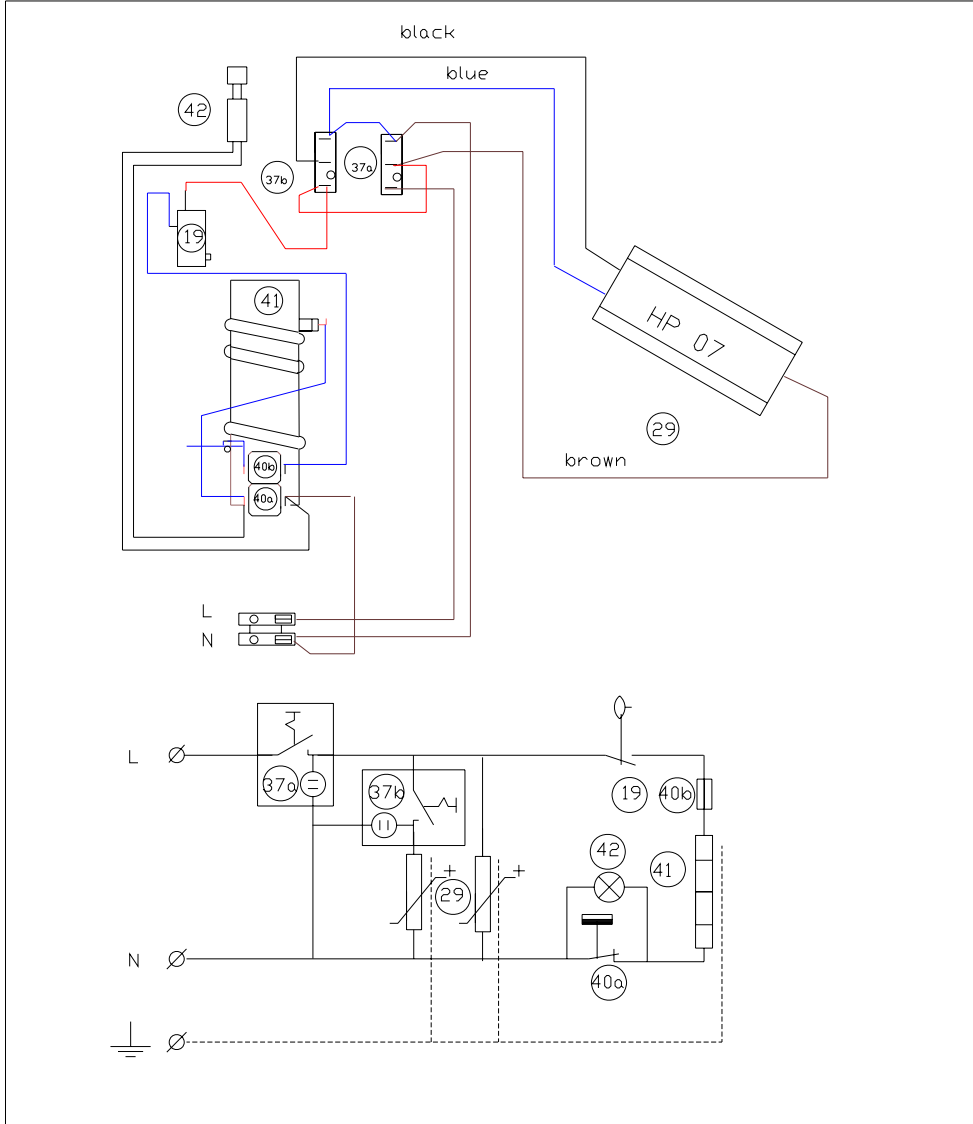
the coffeemaker makers.

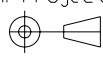
AMERONGEN - HOLLAND

SPARES LIST FOR GCS

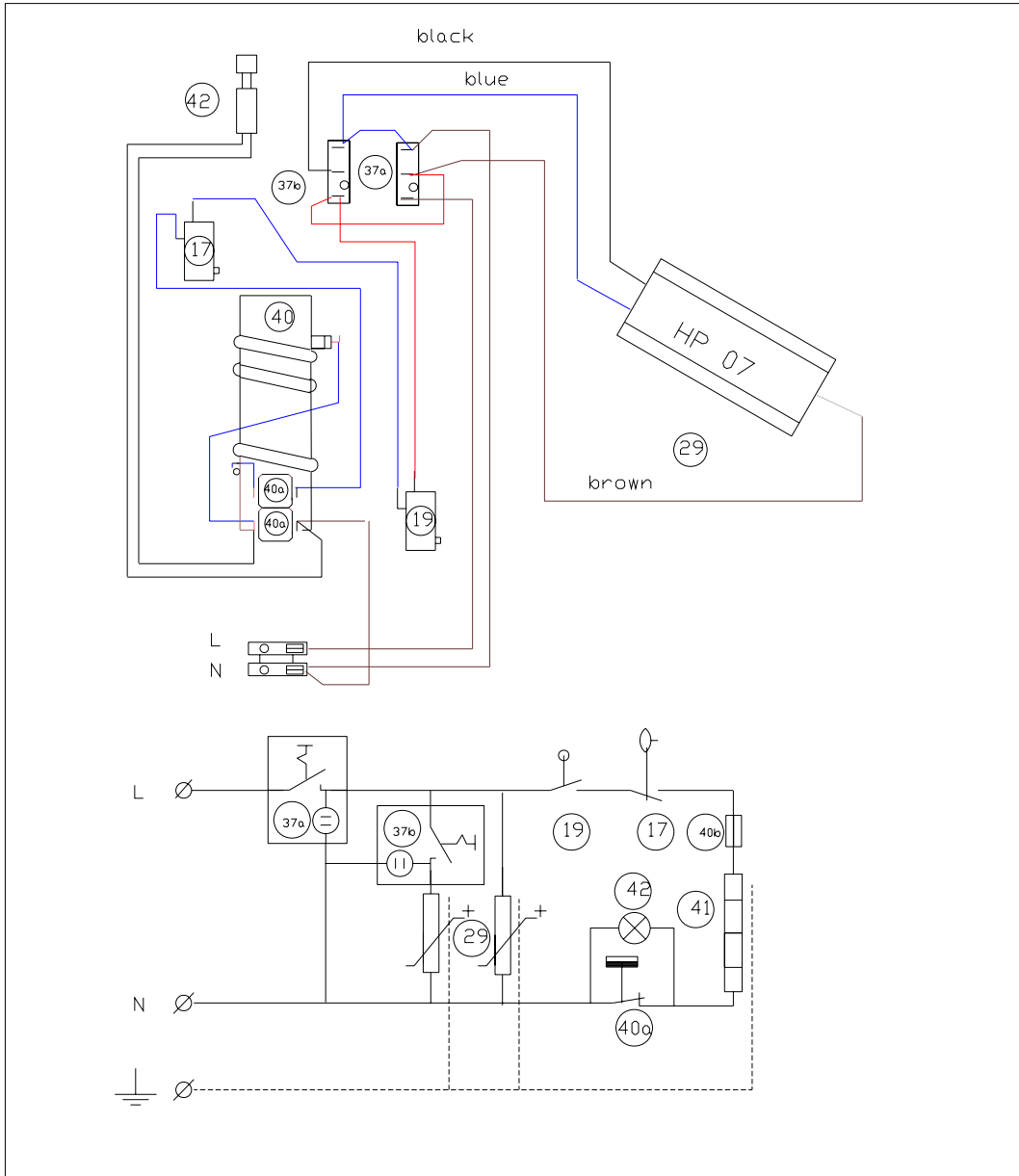
<u>Item.</u>	<u>Description.</u>	<u>Code.</u>
045	Screw 3,5x13	70055
046	Screw 2,9x19	70065
047	Elementbracket assembly	51479
048	Earth clip M4 (part of 47)	-
049	Screw (part of 47)	-
050	Screw 4,2x13	70041
051	Element sub-bracket	52341
052	Bottomplate	14300
053	Foot	61165
054	Screw 3,5x16	70056
055	Hotplate support B	15310
056	Baseplate	15450

GCS electrical diagram

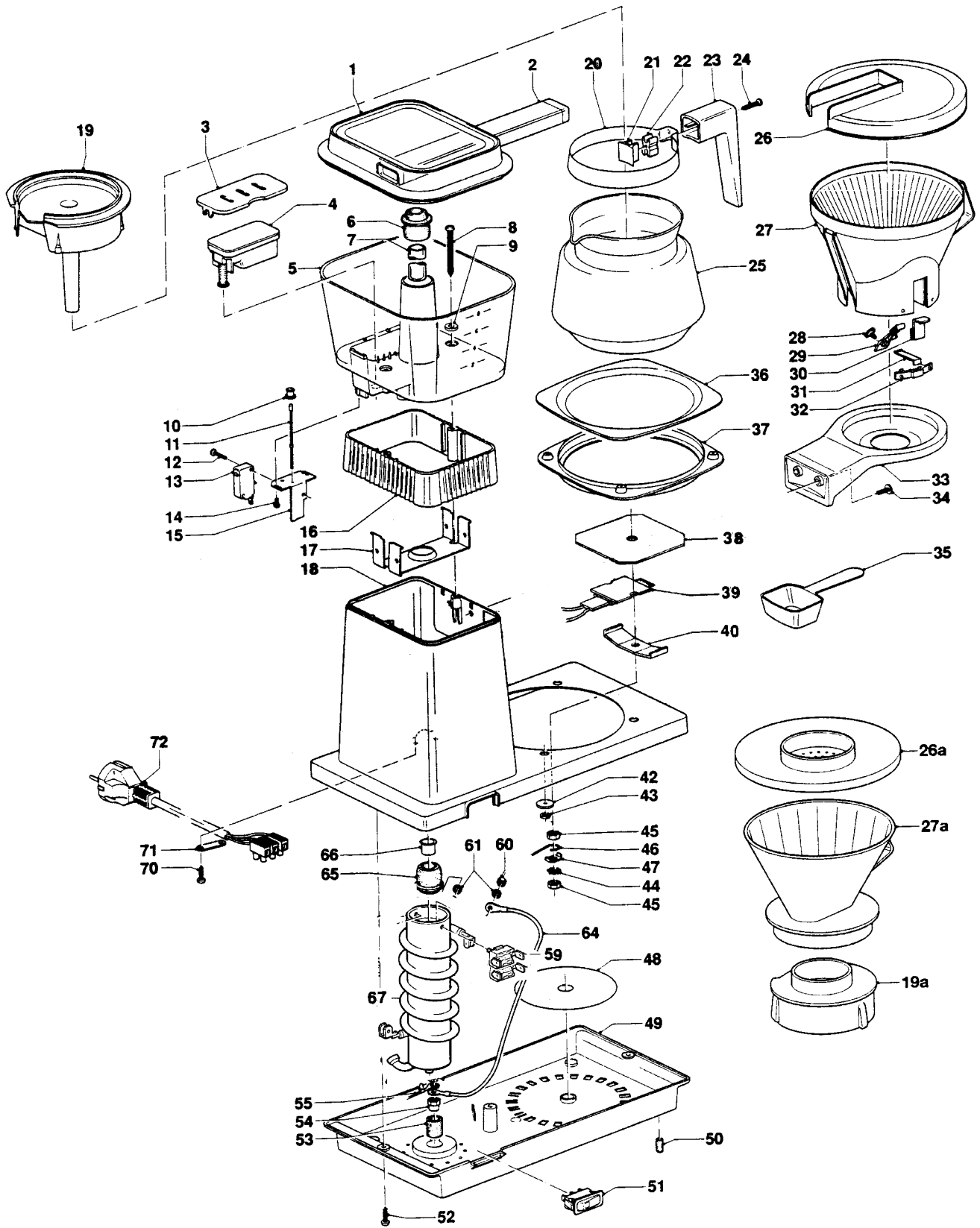



stuk	aan-	benaming	materiaal	normaanduiding	opmerking
	ruwheid	maattoleranties			vorm- en plaatstol.
Am. Projectie		Schaal: nvt	Getekend: F Walraven		Opmerkingen: REV. A
		Maateenheid: nvt	Afdeling: R&D		
		Datum: 01/10/97	Gezien:		
TECHNIVORM BV Amerongen Holland		Benaming: GCS			Nummer: G8905A-1
					A4

GCS electrical diagram



stuk	aan-	benaming	materiaal	normaanduiding	opmerking
	ruwheid	maattoleranties			vorm- en plaatstol.
Am. Projectie		Schaal: nvt	Getekend: F Walraven	Opmerkingen: REV. A	
		Maateenheid: nvt	Afdeling: R&D		
		Datum: 01/10/97	Gezien:		
TECHNIVORM BV Amerongen Holland		Benaming: GCS	Nummer: G8906A-1		A4



 TECHNI VORM AMERONGEN-HOLLAND	benaming	KZA 851
	type	8 kops
	datum	24-10-97
	getekend	TP controle
	formaat	A4 bladnr. 1
	tek.nr.	EV-9710-851
rev.	A august 2001	



the coffemaker makers.

AMERONGEN - HOLLAND

SPARES LIST FOR K(B) 851

Item.	Description.	Code.
001	Lid coldwatercontainer, black	13012
↳	Lid coldwatercontainer, white	13015
002	Outletpipe complete	53021
003	Floathood.....	54130
004	Float	12235
006	Rubber adapter.....	60015
007	Glass tube, K 851, 114,5mm	31060
↳	Glass tube, KB 851, 144,5mm.....	31095
008	Screw 4,2x16, stainless steel, K 851.....	70032
↳	Screw 4,2x50, stainless steel, KB 851	70086
009	Rubber sealing washer	61190
010	Tightening socket	12220
011	Switch pawl.....	54155
012	Screw M3x16.....	73000
013	Microswitch 16 Amp.....	43335
014	Screw 2,9x6,5	73050
015	Fixingplate microswitch.....	54151
016	Extension piece, white	11611
↳	Extension piece, black	11615
017	Fixing bracket	56601
018	Housing K(B) 851, black	11600
↳	Housing K(B) 851, white	11601
019a	Lid jug, black, with hole.....	13313
↳	Lid jug, white.....	13315
↳	Lid jug, white, with hole.....	13316
020	Neckband jug.....	56940
021	Closing part handle, black.....	12307
↳	Closing part handle, white.....	12327
022	Screw part handle, black.....	12306
↳	Screw part handle, white.....	12326
023	Handle, black	12305
↳	Handle, white.....	12325
024	Screw 3,5x25 stainless steel	70020
025	Jug, glass, 1,0 ltr.....	30405
026	Filter lid, black.....	13112
↳	Filter lid, white.....	13115
026a	Filter lid, white, Norway	13121
↳	Filter lid, black, Norway	13127
027	Adjustable filterholder complete, black	13193
↳	Adjustable filterholder complete, white.....	13196
027a	Non adjustable filterholder, white	13236
↳	Non adjustable filterholder, black.....	13237
028	Closing pad.....	60070
029	Closing arm, white.....	11965
↳	closing arm, black.....	11970
030	Adjustable knob, white.....	11935
↳	Adjustable knob, black.....	11940
031	Spring.....	56971
032	Springholder, white.....	11905
↳	Springholder, black.....	11910
033	Filterbracket, white	12792
↳	Filterbracket, black	12795
034	Screw 4,2x16, stainless steel, K 851.....	70032
035	Measuring spoon.....	88100
↳	Measuring spoon, Norway.....	88105
↳	Measuring spoon, France, Sweden.....	88106
036	Hotplate, chromium	52060



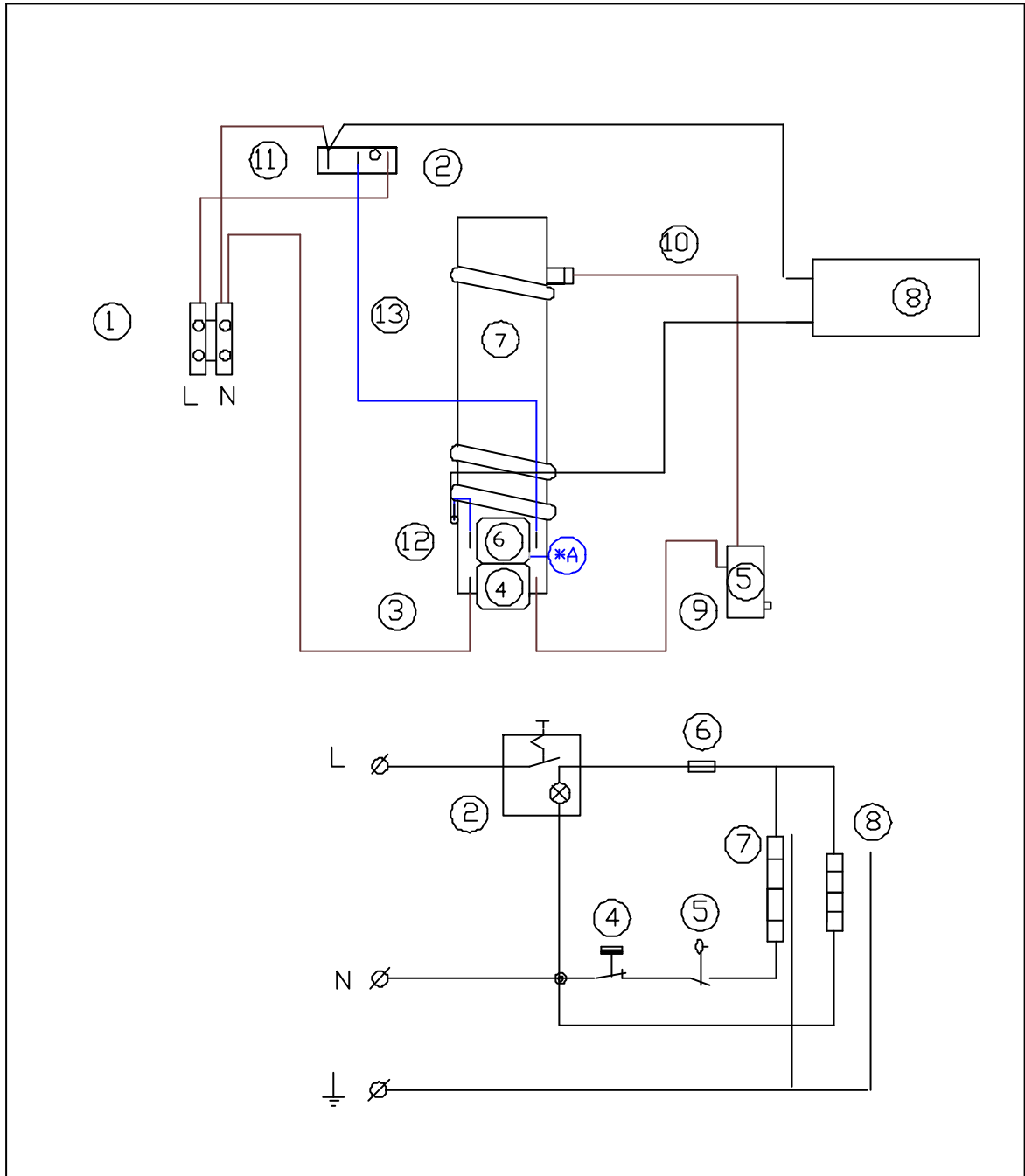
the coffeemaker makers.

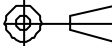
AMERONGEN - HOLLAND

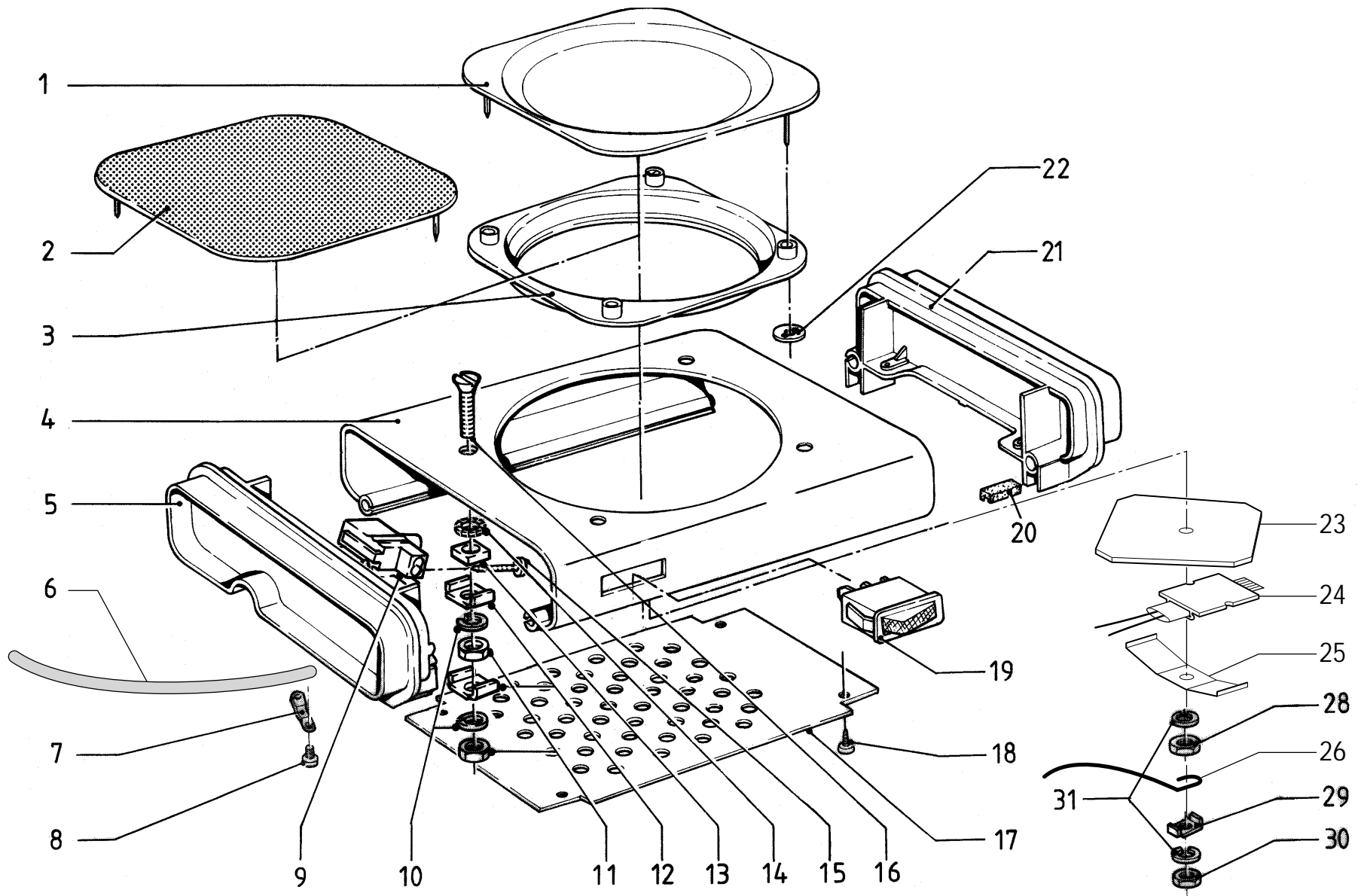
SPARES LIST FOR K(B) 851


Item.	Description.	Code.
↳	Hotplate, white	52063
↳	Hotplate, black	52064
037	Hotplate support, black	11415
↳	Hotplate support, white	11420
038	Aluminium disc	55410
039	Ptc hotplate element unit, HP-05	41212
040	Tightening spring hotplate element	56976
041	Insulation disk	62410
042	
043	Speednut	78250
044	Lock washer, M6	74025
045	Nut, M6	72035
046	Earth wire, 130mm	40525
047	Earth clip, M6	78151
048	Aluminium heat shield	55855
049	Bottomplate, black	11650
↳	Bottomplate, white	11651
050	Rubber foot	62405
051	Switch, black	43028
↳	Switch, with	43031
052	Screw, 3,5x13	70055
053	Rubber fixation adapter	62400
054	Adapter nut, M6	72055
055	Earth wire, 65mm	40520
056	
057	
058	
059	Thermostat/thermofuse combination	46265
060	Nut, M4	72015
061	Toothed washer	74020
062	
063	
064	Earth wire	40565
065	Rubber adapter	60015
066	Copper tube	51030
067	Boiling element, 1310W/240V	45163
068	
069	
070	Screw, 3,5x13	70055
071	Cord anchorage	78175
072	Flex with plug, black	44349
	Flex with plug, white	44350

K(B) 851 electrical diagram



stuk	aan-	benaming	materiaal	normaanduiding	opmerking
	ruwheid	maattoleranties			vorm- en plaatstol.
Am. Projectie		Schaal: nvt	Getekend: F Walraven		Opmerkingen:
		Maateenheid: nvt	Afdeling: R&D		*Rev.A 01-2001
		Datum: 5-1-99	Gezien:		
TECHNIVORM BV Amerongen Holland		Benaming: 851		Nummer: K8512A-1	A4



 <p>AMERONGEN-HOLLAND</p>	benaming	RC1 cf	
	type		
	datum	september 2001	
	getekend	Insight ill.	controle
	formaat	A4	bladnr. 1
	tek.nr.		



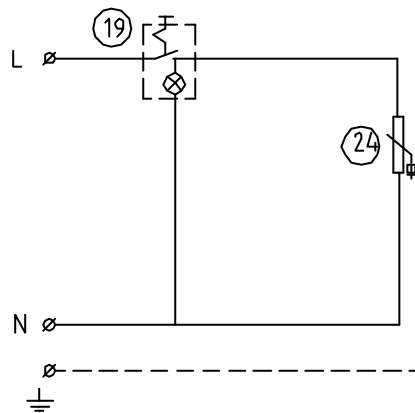
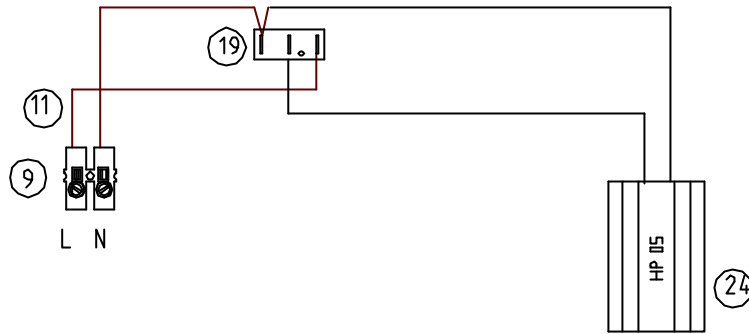
the coffeemaker makers.

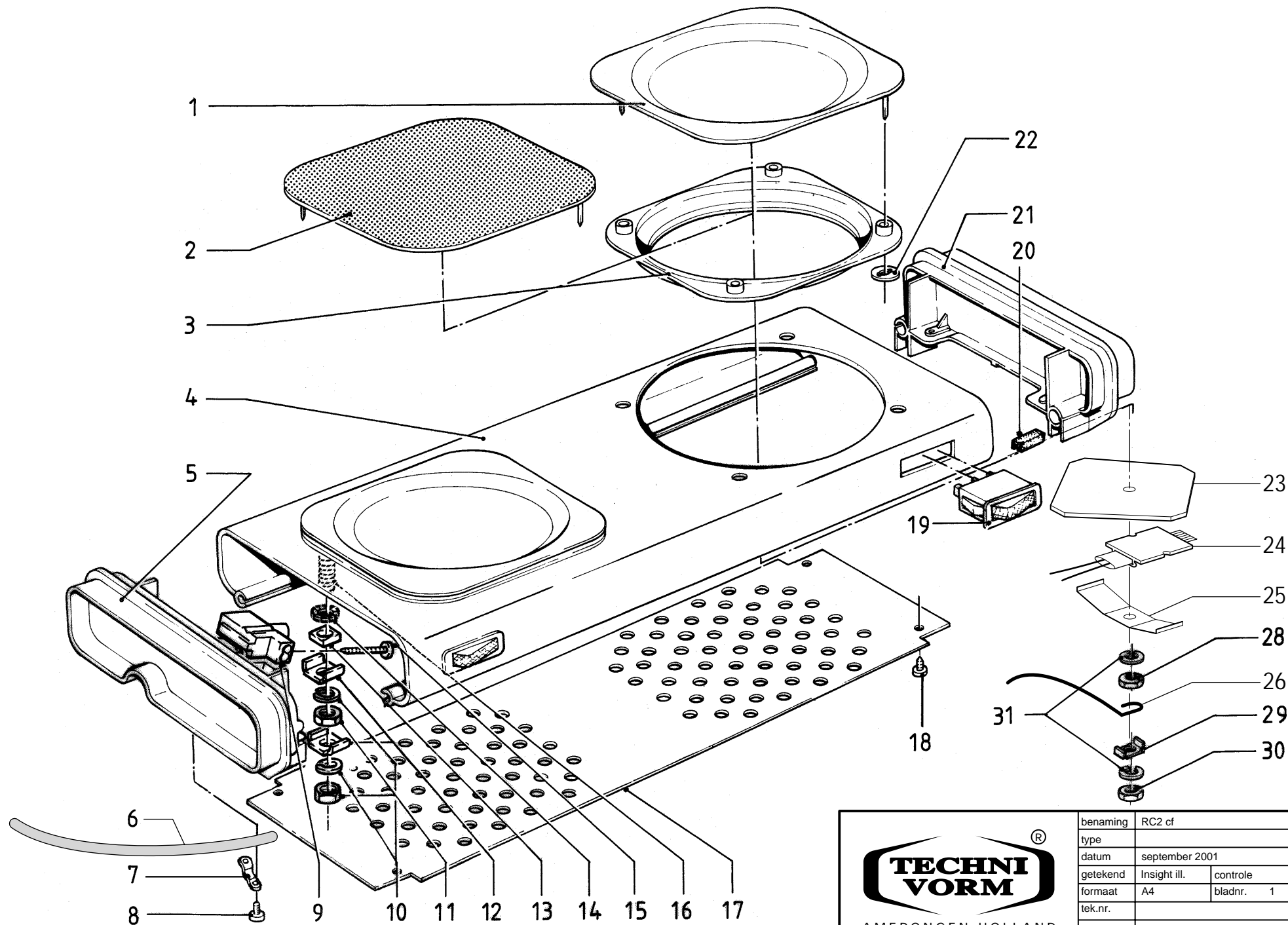
AMERONGEN - HOLLAND


SPARES LIST FOR RC-1

<u>Item.</u>	<u>Description.</u>	<u>Code.</u>
001	Hotplate, chromium	52060
↳	Hotplate, oven enamelled, brown	52062
↳	Hotplate, oven enamelled, white	52063
↳	Hotplate, oven enamelled, black	52064
002	Hotplate, chromium, flat	52070
↳	Hotplate, oven enamelled, white	52073
003	Hotplate support, brown	11410
↳	Hotplate support, black.....	11415
↳	Hotplate support, white.....	11420
004	Base, gold	55285
↳	Base, cream	55290
↳	Base, white.....	55295
↳	Base, black.....	55297
↳	Base, silver polished	55298
005	Handle, left, black with feet	11716
↳	Handle, left, white with feet	11711
↳	Handle, left, brown with feet.....	11701
006	Flex with plug, brown.....	44043
↳	Flex with plug, white.....	44044
↳	Flex with plug, black.....	44045
↳	Flex with plug, black, UK	44064
007	Cord anchorage.....	78175
008	Screw 3,5x13.....	70055
009	Block terminal	46060
010	Spring washer.....	74020
011	Nut M4	72020
012	Tightening clip	54161
013	Nut M4	72020
014	Toothed washer.....	74010
015	Screw 2,9x19.....	70065
016	Screw M4x20.....	71035
017	Bottom plate	11365
018	Plasite screw, M3x8.....	71060
019	Switch, illuminated, black.....	43035
↳	Switch, illuminated, white.....	43036
↳	Switch illuminated, brown	43037
020	Rubber feet	61150
021	Handle, right, black with feet	11715
↳	Handle, right, white with feet	11710
↳	Handle, brown with feet	11700
022	Speednut.....	78250
023	Aluminium disc	55410
024	Hotplate element unit RC 1, HP 05.....	41214
025	Tightening spring hotplate element.....	56976
026	Earth wire	40525
027
028	Nut M6x5.....	72035
029	Earth clip	78151
030	Nut M6x5.....	72035
031	Spring washer.....	74025

RC-1 electrical diagram





 <p>AMERONGEN-HOLLAND</p>	benaming	RC2 cf	
	type		
	datum	september 2001	
	getekend	insight ill.	controle
	formaat	A4	bladnr. 1
	tek.nr.		



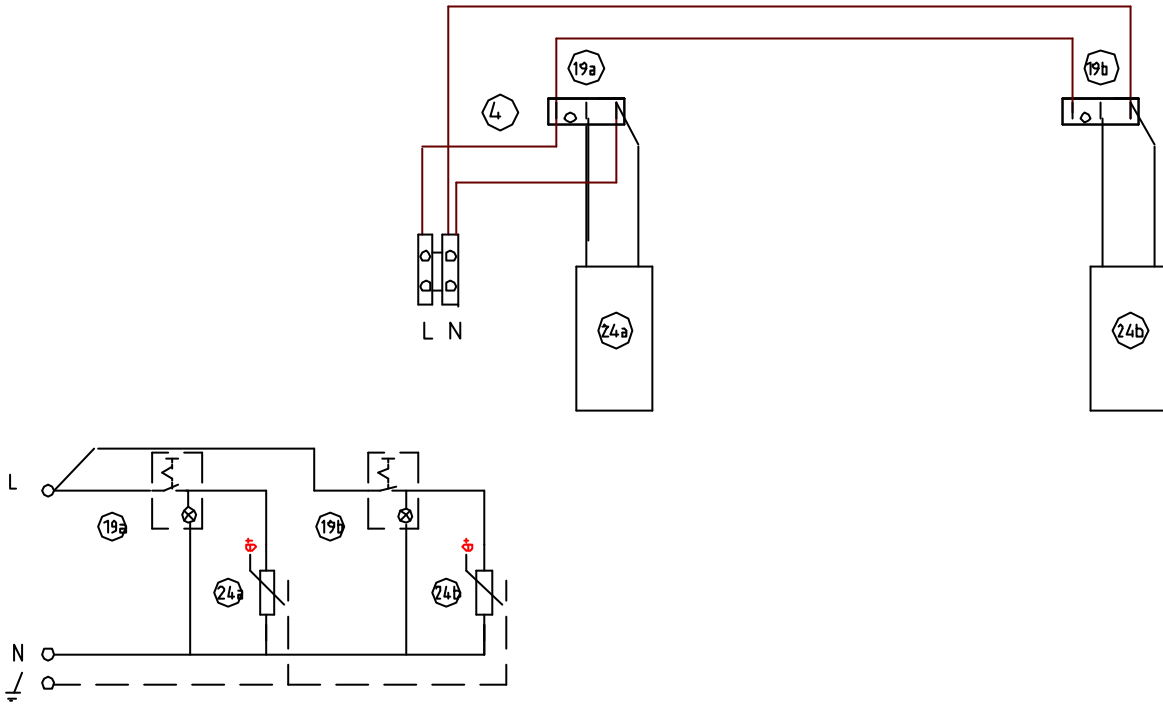
the coffeemaker makers.

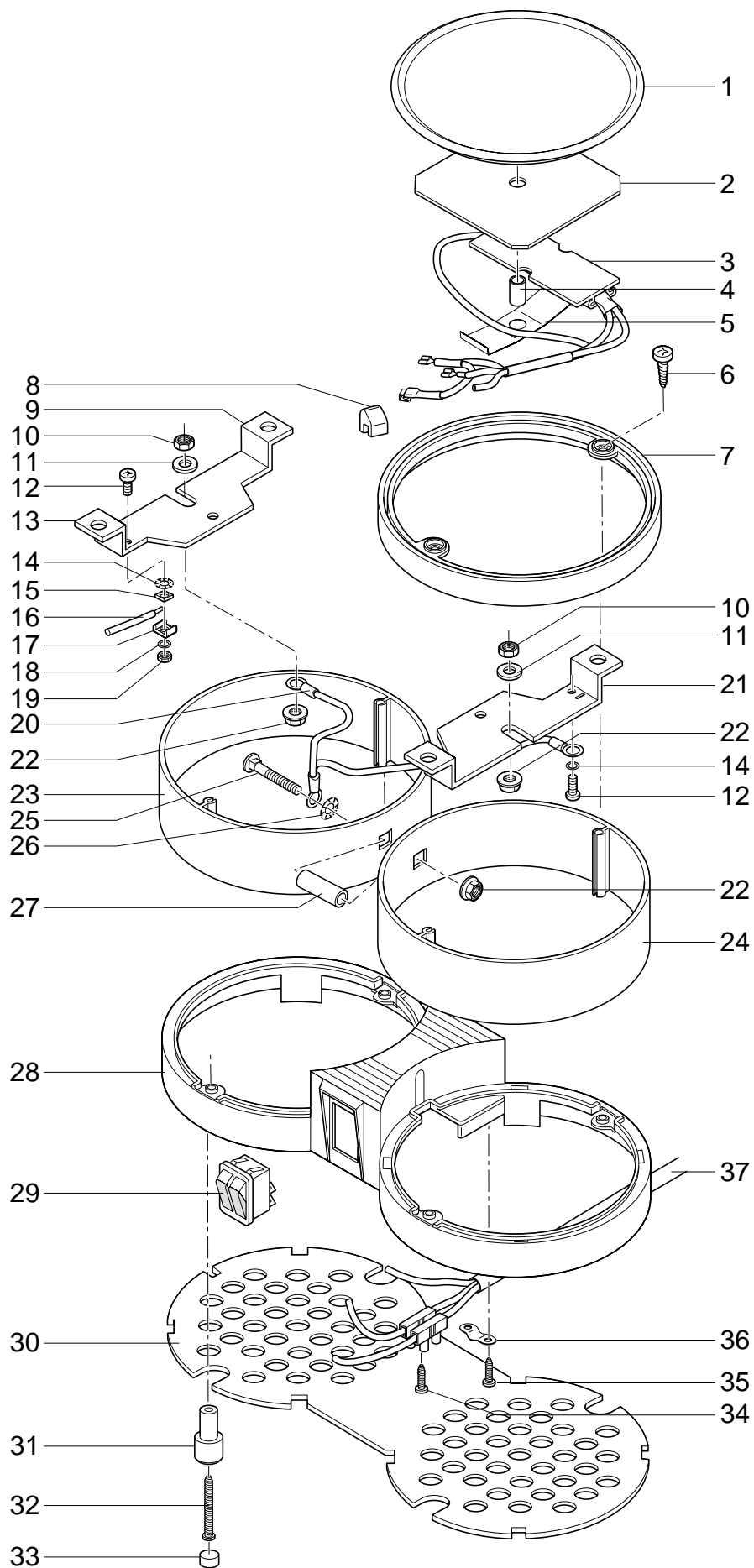
AMERONGEN - HOLLAND


SPARES LIST FOR RC-2

<u>Item.</u>	<u>Description.</u>	<u>Code.</u>
001	Hotplate, chromium	52060
↳	Hotplate, oven enamelled, brown	52062
↳	Hotplate, oven enamelled, white	52063
↳	Hotplate, oven enamelled, black	52064
002	Hotplate, chromium, flat	52070
↳	Hotplate oven enamelled, white	52073
003	Hotplate support, brown	11410
↳	Hotplate support, black.....	11415
↳	Hotplate support, white.....	11420
004	Base, silver polished	55324
↳	Base, gold	55325
↳	Base, black.....	55328
↳	Base, cream	55330
↳	Base, white.....	55331
005	Handle, left, black with feet	11716
↳	Handle, left, white with feet	11711
↳	Handle, left, brown with feet.....	11701
006	Flex with plug, brown.....	44343
↳	Flex with plug, white.....	44344
↳	Flex with plug, black.....	44345
↳	Flex with plug, black, UK	44064
007	Cord anchorage.....	78175
008	Screw 3,5x13.....	70055
009	Block terminal	46060
010	Spring washer.....	74020
011	Nut M4	72020
012	Tightening clip	54161
013	Nut M4	72020
014	Toothed washer.....	74010
015	Screw 2,9x19.....	70065
016	Screw M4x20.....	71035
017	Bottom plate	11365
018	Plasite screw, M3x8.....	71060
019	Switch, illuminated, black.....	43035
↳	Switch, illuminated, white.....	43036
↳	Switch illuminated, brown	43037
020	Rubber feet	61150
021	Handle, right, black with feet	11715
↳	Handle, right, white with feet	11710
↳	Handle, brown with feet	11700
022	Speednut.....	78250
023	Aluminium disc	55410
024	Hotplate element unit RC 2, HP 05, left	41214
↳	Hotplate element unit RC 2, HP 05, right	41213
025	Tightening spring hotplate element	56976
026	Earth wire	40525
027
028	Nut M6x5.....	72035
029	Earth clip.....	78151
030	Nut M6x5.....	72035
031	Spring washer.....	74025

RC-2 electrical diagram





 TECHNI VORM AMERONGEN - HOLLAND	benaming	Rechaud CD	
	type		
	datum	april 2001	
	getekend	Insight ill.	controle
	formaat	A4	bladnr. 1
	tek.nr.		



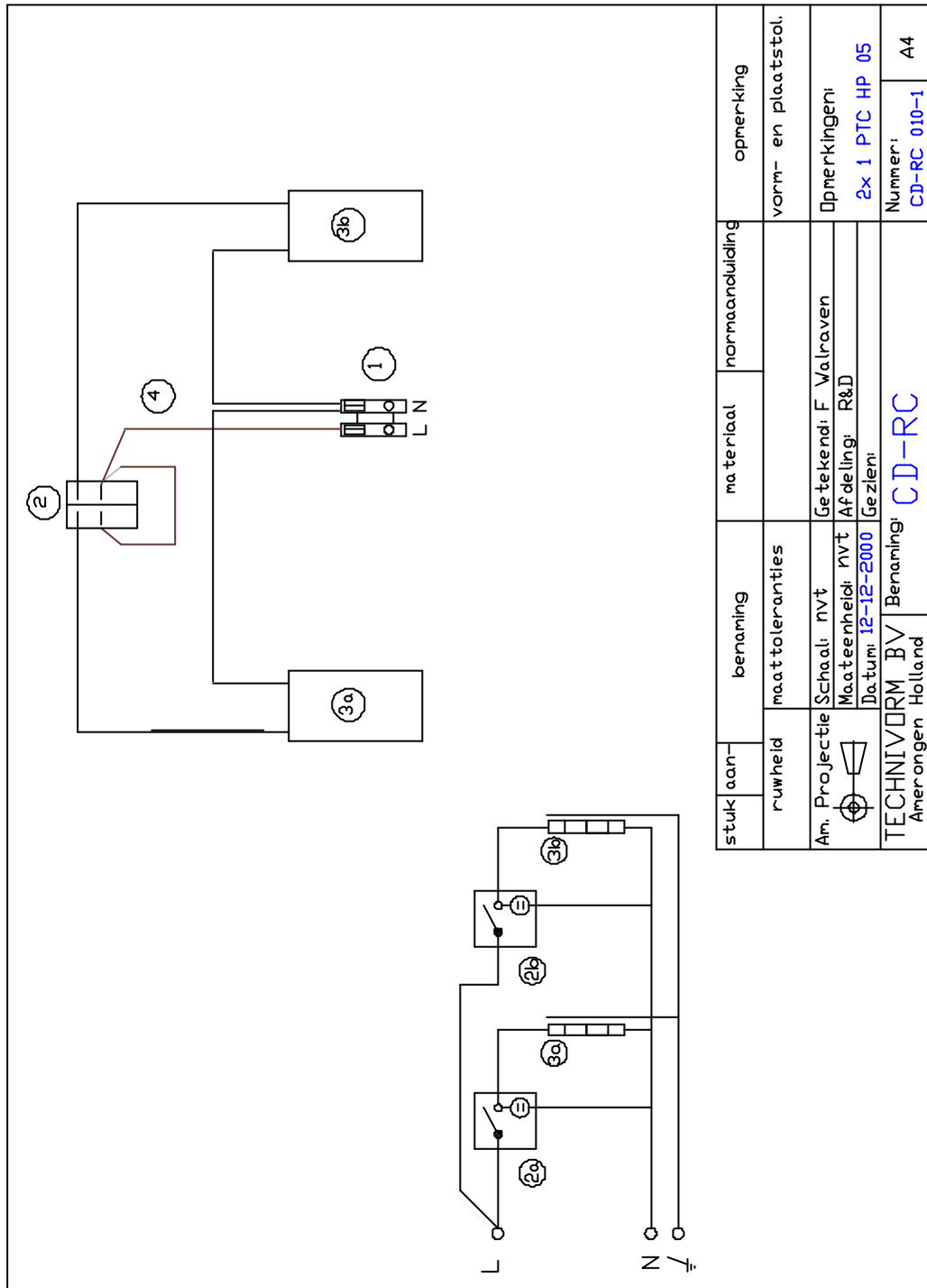
the coffemaker makers.

AMERONGEN - HOLLAND

SPARES LIST FOR RC-CD

Item.	Description.	Code.
001	Hotplate oven enamelled	52155
002	Aluminium disk.....	55410
003	Ptc hotplate element HP 05.....	41210
004	Steel bush	74075
005	Tighteningspring hotplate element	56976
006	Screw, 4,2x13 stainless steel	70040
007	Hotplate support	11430
008	Hotplate support	15330
009	Elementbracket	51495
010	Nut, M6x3.....	72005
011	Washer M6	74037
012	Screw, M4x10.....	71010
013	Elementbracket	51495
014	Lock washer, M4	74010
015	Nut M4	72020
016	Earth wire, supply cord	
017	Tightening clip.....	54161
018	Lock washer, M4	74020
019	Nut M4	72015
020	Earth wire	40431
021	Elementbracket	51495
022	Nut, M6	72110
023	Housing, silver polished, printed	58862
024	Housing, silver polished.....	58861
025	Bolt, M6x35.....	71090
026	Washer 8,2 mm.....	74017
027	Steel bush 6x8x22.....	71080
028	Screw, 4,2x32 stainless steel	70029
029	Switch	43002
030	Bottom plate	11331
031	Screw, 4,2x32.....	70026
032	Rubber feet	62450
033	Screw, M4x10.....	71010
034	Screw, 3,5x13.....	70055
035	Screw, 3,5x13.....	70055
036	Cord anchorage	78175
037	Supply cord 3x1, black.....	44347

RC-CD electrical diagram



service announcement

Thermostat 46200 and thermo-fuse 43510 are replaced by thermostat/thermofuse combination code number 46265, starting with production code 0601

Reason:

In the old situation the thermostat and thermo-fuse are located on different position, temperature rising on both position are not equal.

Result: the thermostat protects the heating element depending on the temperature at the location of the thermostat.

The temperature on the thermo-fuse is totally different and can reach peak temperature close or even over the trip temperature of the thermo-fuse.

Improvement:

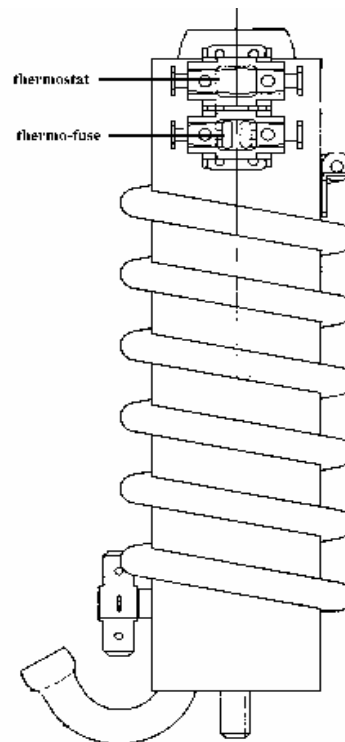
In the situation with the new thermostat in combination with the thermo-fuse, the temperature of both thermostat and thermo-fuse is the same, so the thermostat is not only protecting the boiler but in fact also the thermo-fuse.

The trip-temperature of the thermo-fuse is 260°C and the trip-temperature of the thermostat is 145°C the difference in trip-temperature is necessary to handle overshoots in temperature.

The thermo-fuse will trip only in case the thermostat fails.

Benefits of the new situation:

- reducing the problems with the thermo-fuse
- one thermostat/thermo-fuse combination instead of thermo-fuse with different trip-temperature's
- no more problems with fuse-clips in marked positions.
- no more problems with short-circuited thermo-fuse or thermo-fuse installed in a wrong way.



New boiling element with thermostat/thermo-fuse 1450W/230V code: 45149

New boiling element with thermostat/thermo-fuse 1200W/230V code: 45163

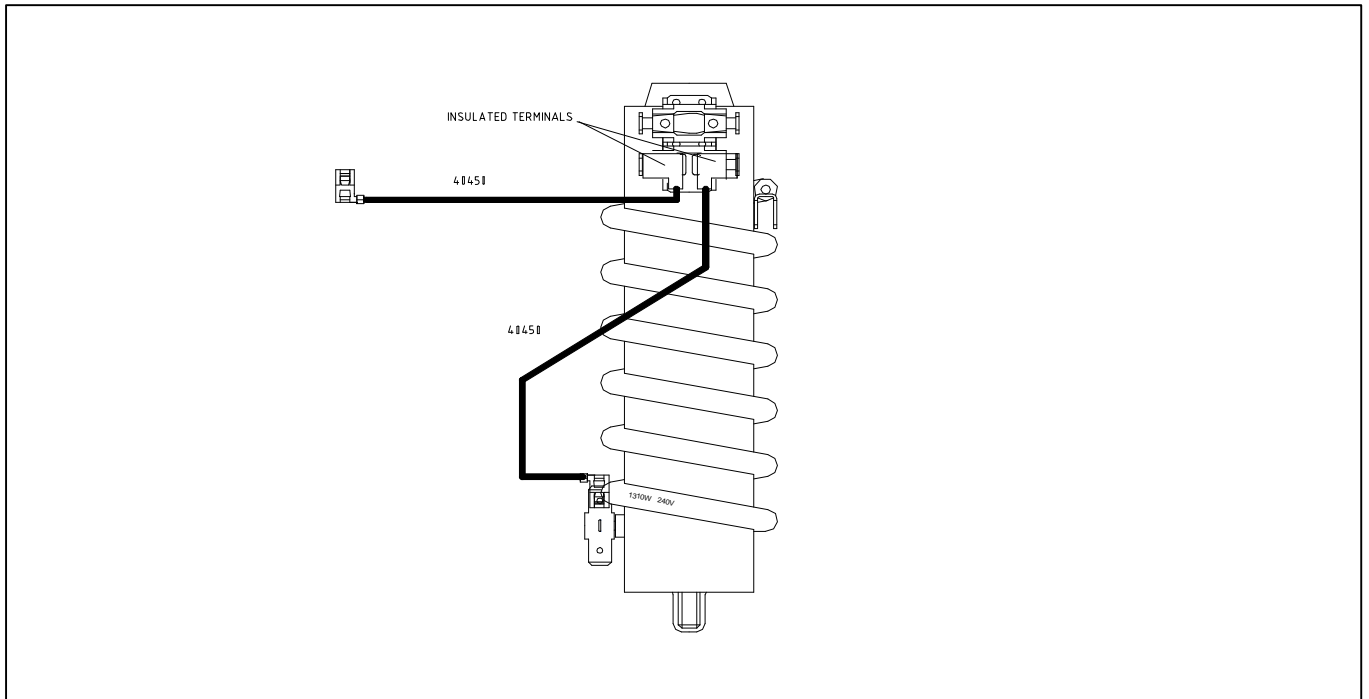
Machines with the new boilers can be identified by the " /A " added to the type number on the machine label

Example: type 741.65 will be changed into 741.65/A, when the new boiler with the thermostat/thermo-fuse combination is installed.

service announcement

Replacing old type boiling element by a new boiling element

The old type boiling element, with a separated thermostat and thermo-fuse unit, can be replaced by the new type boiling element with thermostat/thermo-fuse combination, simply by connecting 2 wires code 40450 to thermo-fuse section of the combination as indicated in the figure



Old 1310W/240V code 45162 → new 1310W/240V code 45163

Old 1450W/230V code 45144 → new 1450W/230V code 45149

service announcement

Household coffeemakers

NEW PTC heating element starting with production code: 0102

Replacing old type hotplate

by

new PTC element

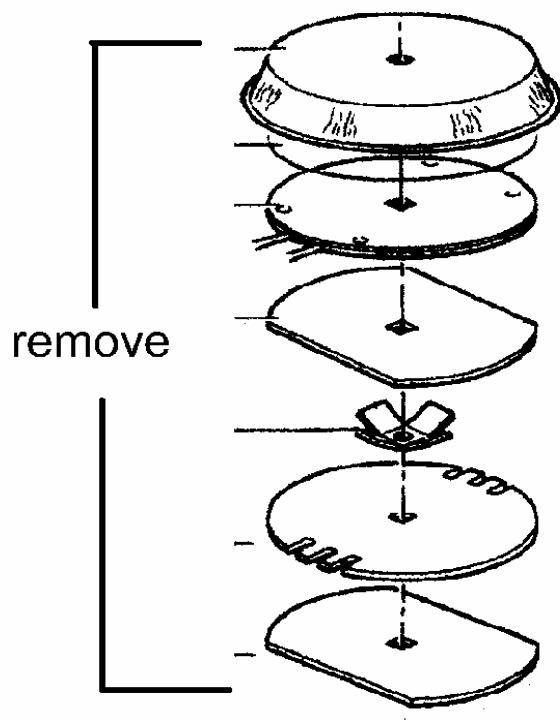


fig. 1

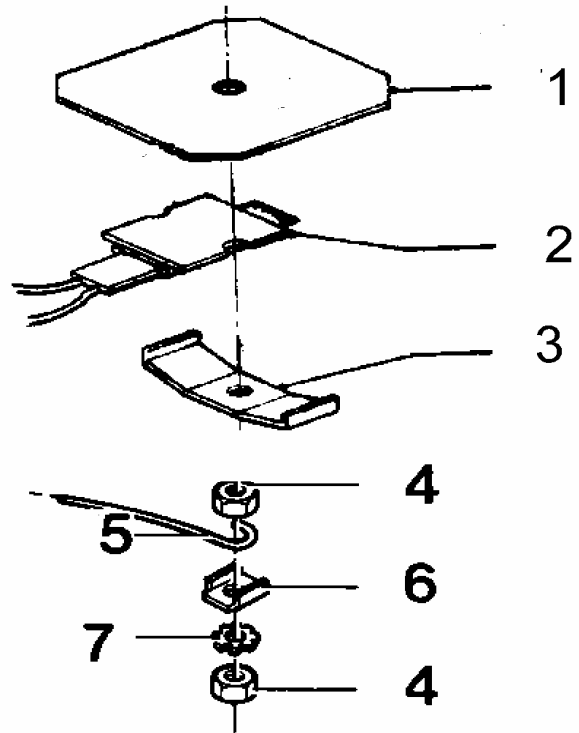


fig. 2

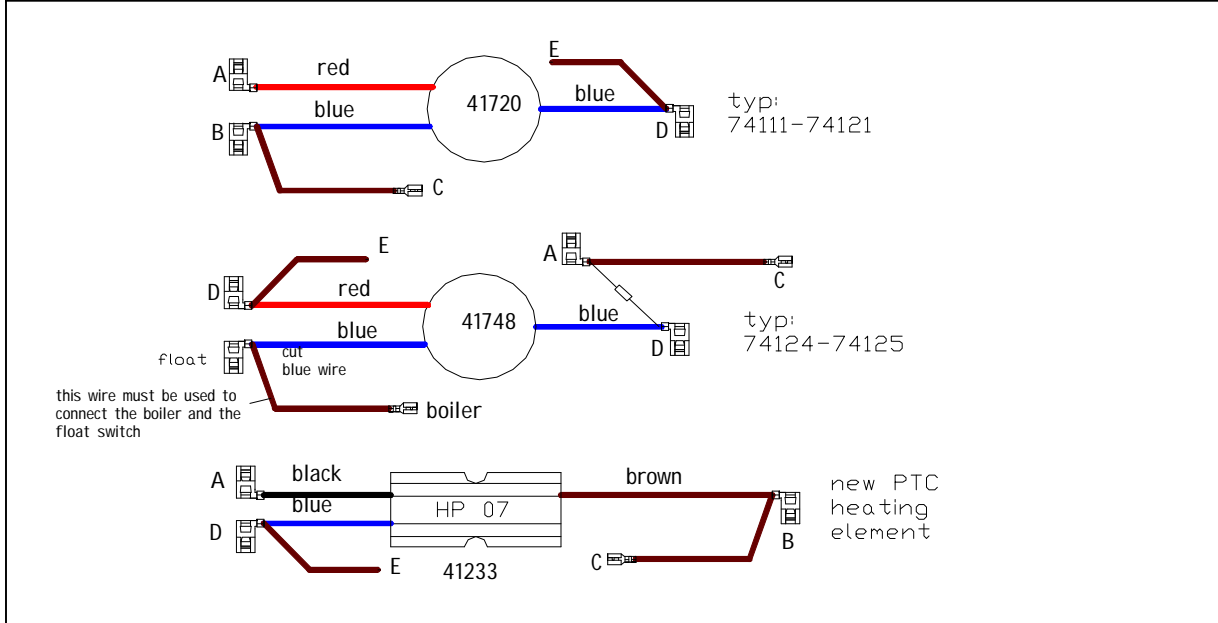
Instruction:

Remove old element and fixation parts fig. 1 and replace new PTC element according to fig. 2

1 Aluminium disk hotplate	55410
2 PTC heating element	
3 Tightening spring hotplate elem.	56976
4 Nut M6	72035
5 Earth wire	
6 Earth clip, M6	78151
7 Toothed washer M6	74025

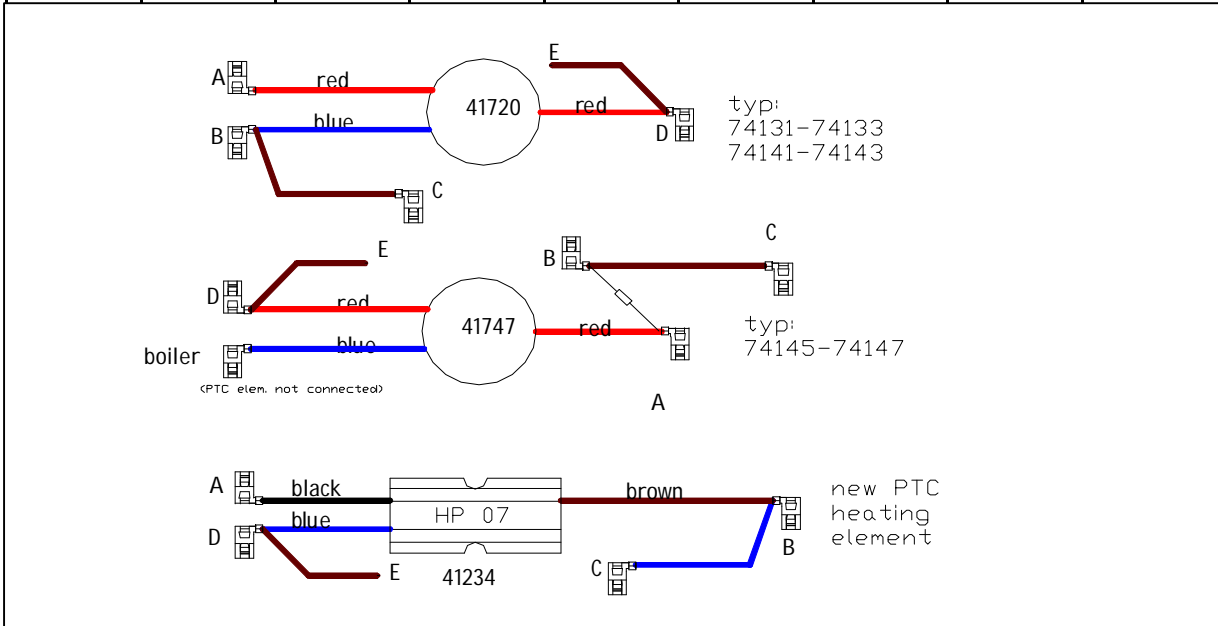
KB 741 combination switch in housing

typ:	rated power	old hotplate elem.	new hotplate elem.			
741.11 741.21	1275W/230V	41720	41233	HP 07		
741.24 741.25	1330W/230V	41748	41233	HP 07		



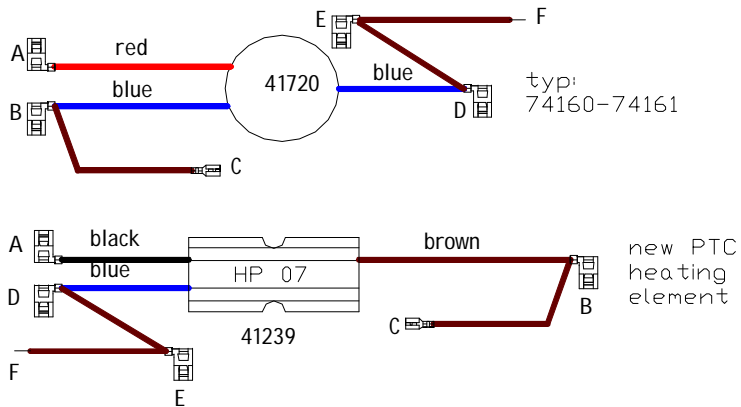
KB 741 combination switch in housing

typ:	rated power	old hotplate elem.	new hotplate elem.			
741.31 741.33	1375W/240V	41720	41234	HP 07		
741.41 741.43	1520W/230V	41720	41234	HP 07		
741.45 741.47	1600W/230V	41747	41234	HP 07		



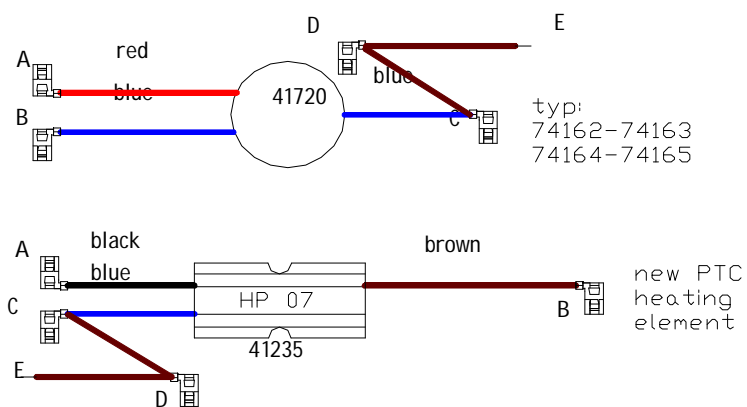
KB 741 switches in base plate

typ:	rated power	old hotplate elem.	new hotplate elem.			
741.60	1275W/230V	41720	41239	HP 07		
741.61						



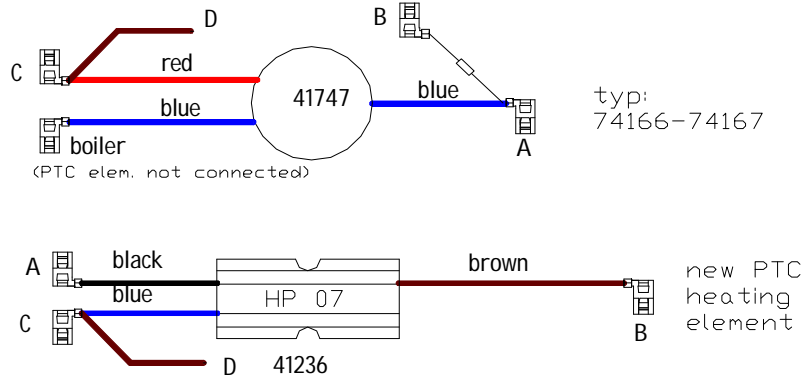
KB 741 switches in base plate

typ:	rated power	old hotplate elem.	new hotplate elem.			
741.62	1375W/240V	41720	41235	HP 07		
741.63						
741.64	1520W/230V	41720	41235	HP 07		
741.65						



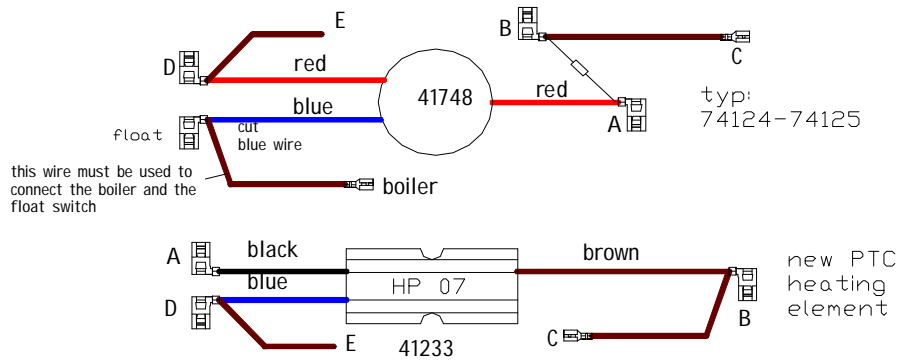
KB 741 switches in base plate

typ:	rated power	old hotplate elem.	new hotplate elem.		
741.66	1600W/230V	41747	41236	HP 07	
741.67					



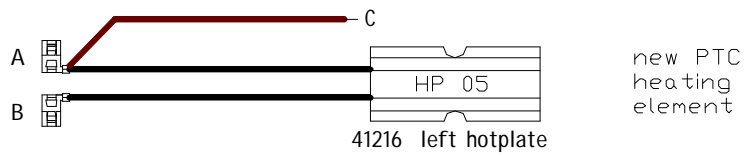
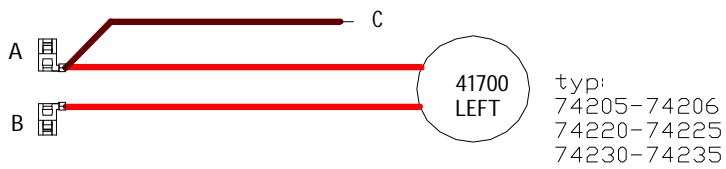
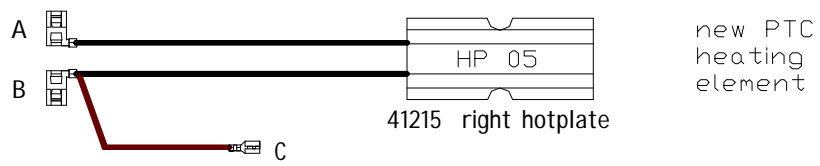
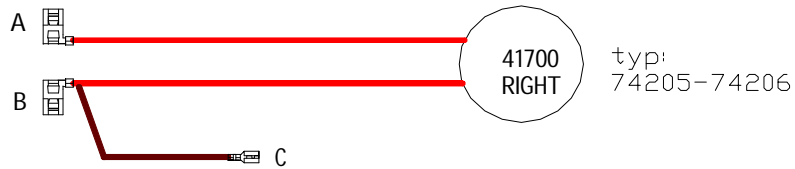
KB 741 switches in base plate

741.24	1330W/230V	41748	41233 <th>HP 07</th> <th></th>	HP 07	
741.25					



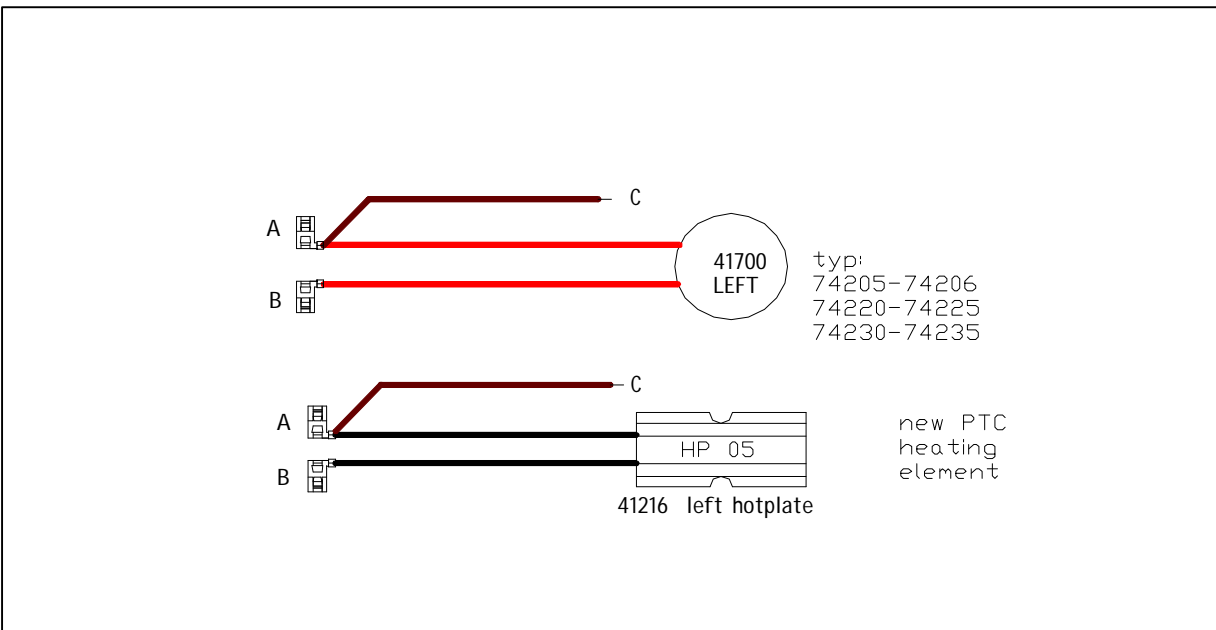
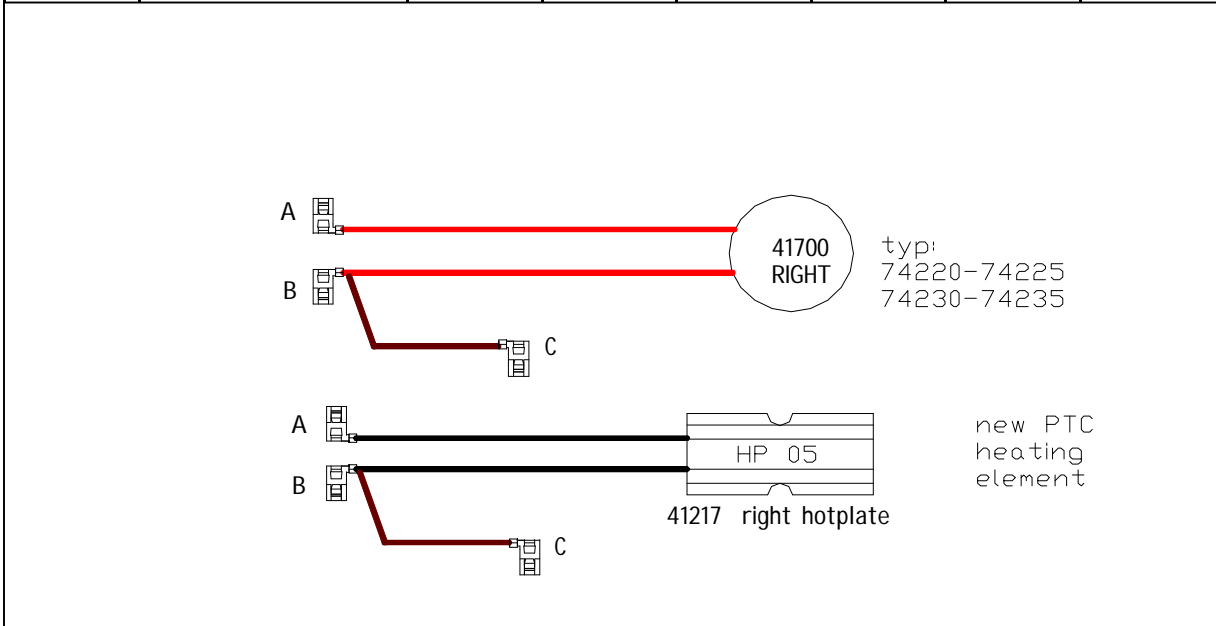
KB 742

typ:	rated power	old hotplate elem.	new hotplate elem.		
742.05	1320W/230V	41700	right	41215	HP 05
742.06			left	41216	HP 05



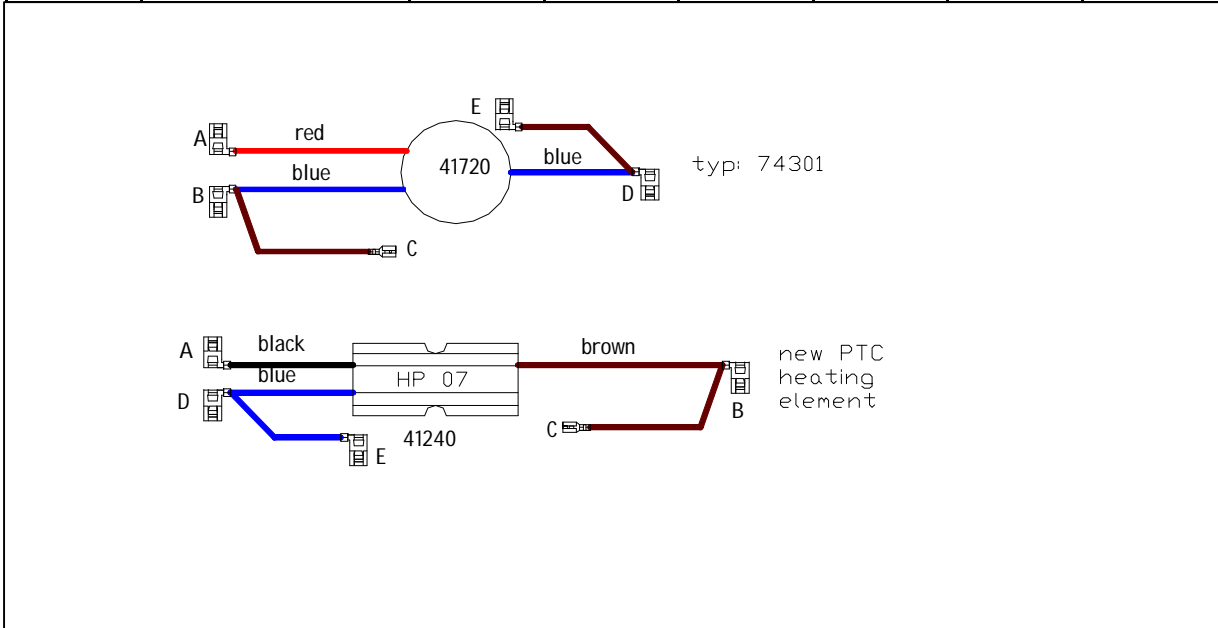
KB 742

742.20	1440W/240V	41700	right	41217	HP 05		
742.25		41700	left	41216	HP 05		
742.30	1570W/230V	41700	right	41217	HP 05		
742.35		41700	left	41216	HP 05		



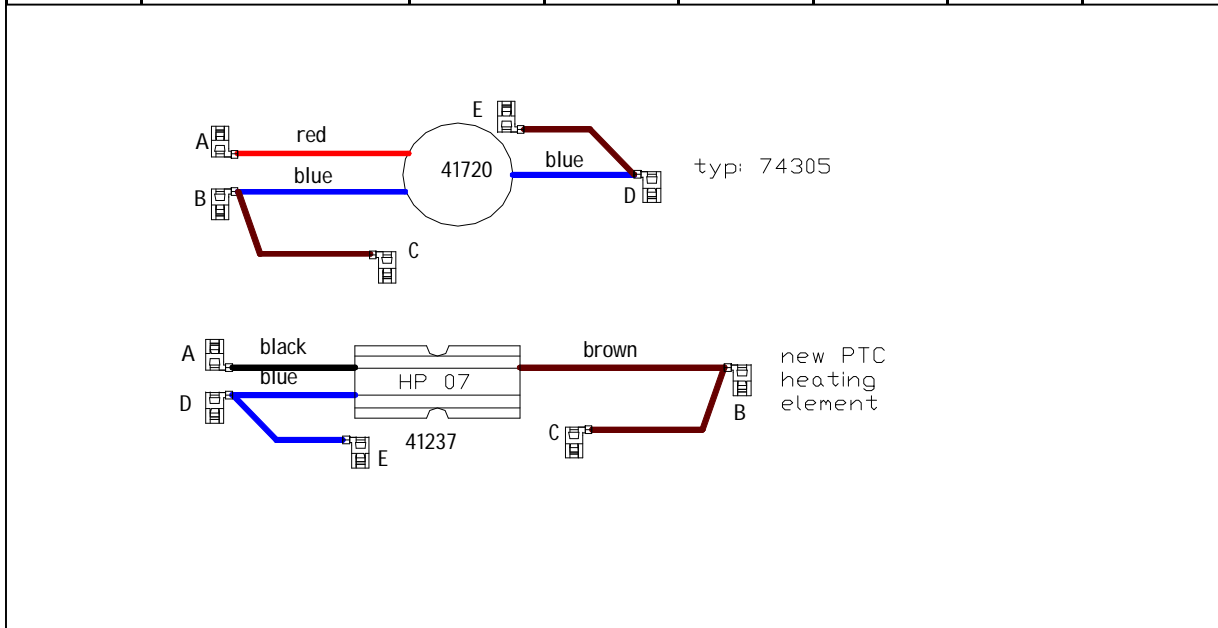
KB 743

typ:	rated power	old hotplate elem.	new hotplate elem.		
743.01	2060-2550W/230V	41720	41240 HP 07		
743.02					



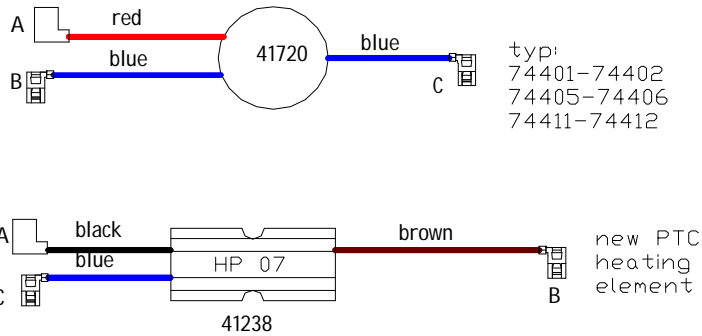
KB 743

typ:	rated power	old hotplate elem.	new hotplate elem.		
743.05	2060-2550W/230V	41720	41237 HP 07		



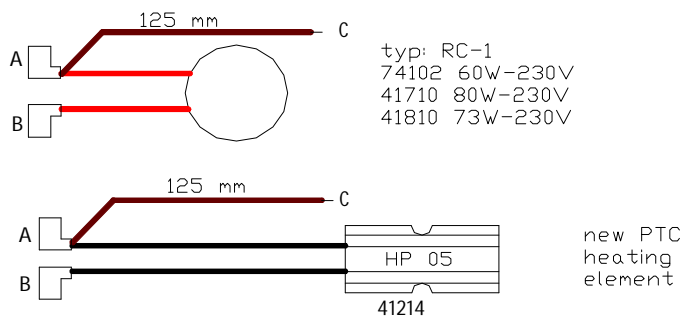
KB 744

typ:	rated power	old hotplate elem.	new hotplate elem.		
744.01 744.02	2060-2550W/230V	41721	41238 HP 07		
744.05 744.06	2550W/230V	41721	41238 HP 07		
744.11 744.12	3040W/230V	41721	41238 HP 07		



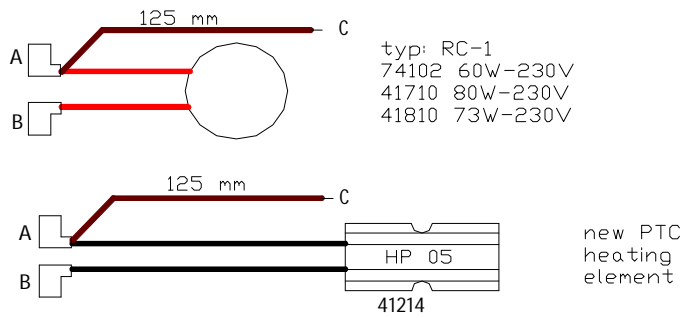
RC-1

typ:	rated power	old hotplate elem.	new hotplate elem.		
	60W/230V	41702	41214 HP 05		
	80W/230V	41710	41214 HP 05		
	73W/230V	41810	41214 HP 05		



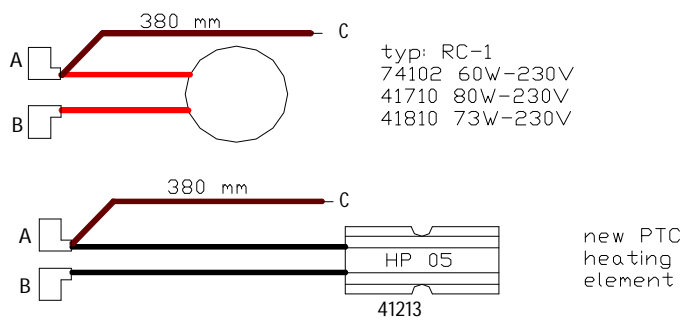
RC-2 LEFT

typ:	rated power	old hotplate elem.	new hotplate elem.		
	60W/230V	41702 <i>left</i>	41214 HP 05 <i>left</i>		
	80W/230V	41710 „	41214 HP 05 „		
	73W/230V	41810 „	41214 HP 05 „		



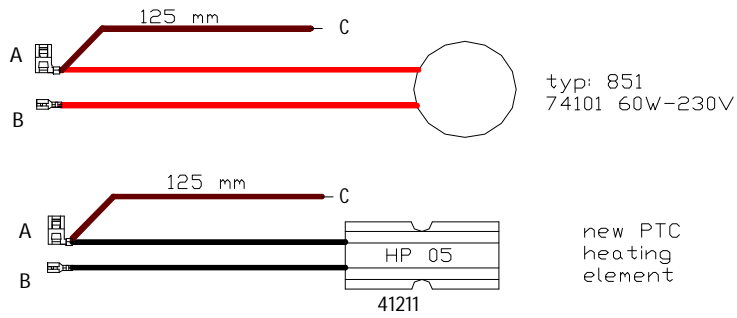
RC-2 RIGHT

typ:	rated power	old hotplate elem.	new hotplate elem.		
	60W/230V	41702 <i>right</i>	41213 HP 05 <i>right</i>		
	80W/230V	41710 „	41213 HP 05 „		
	73W/230V	41810 „	41213 HP 05 „		



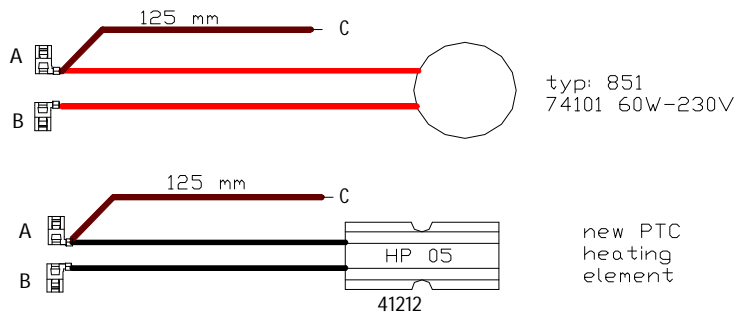
KB 851

typ:	rated power	old hotplate elem.	new hotplate elem.		
	1260W/230V	41701	41211 HP 05		



KB 851

typ:	rated power	old hotplate elem.	new hotplate elem.		
	1260W/230V	41701	41212 HP 05		
	1375W/240V	41701	41212 HP 05		



service announcement

The illuminated switch code: 43048, 43044, 43058 (black, white, brown) will be replaced by illuminated switch: 43035, 43036, 43037 (black, white, brown).

Reason:

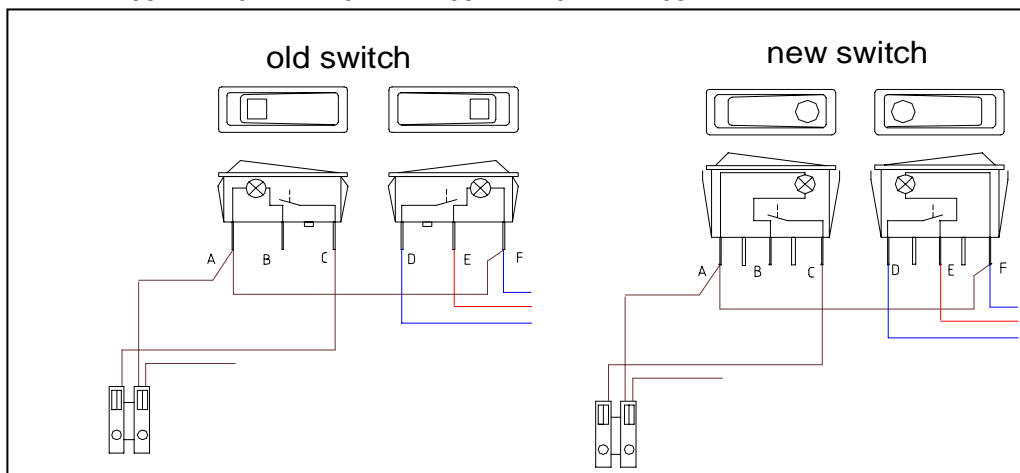
After receiving complains about broken switches, we found a replacement for the old switch. The new switch, Arcoelectric type C6003, is splashproof, rated 16(4)A 250V T125

Approvals: European ENEC 15, UL file E45221, CSA file LR10990

ATTENTION:

The illuminated lens of the new switch must be in the opposite direction as the old switch. Electrical connections are similar.

Type: 741.60 - 741.61 - 741.62 - 741.63 - 741.64 - 741.65

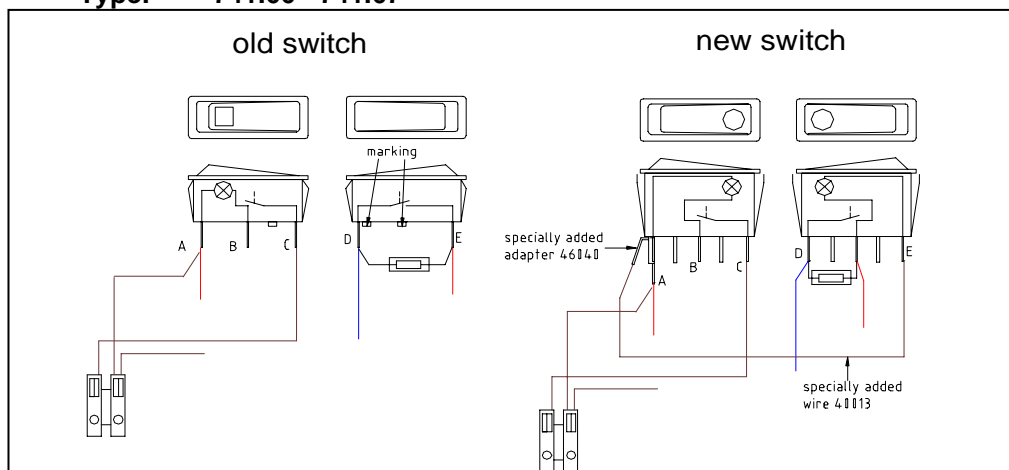


ATTENTION:

The illuminated lens of the new switch must be in the opposite direction as the old switch.

- Electrical connections for the illuminated switch is similar,
- the non illuminated switch requires a specially added adapter (46040) and wire (40013)

Type: 741.66 - 741.67

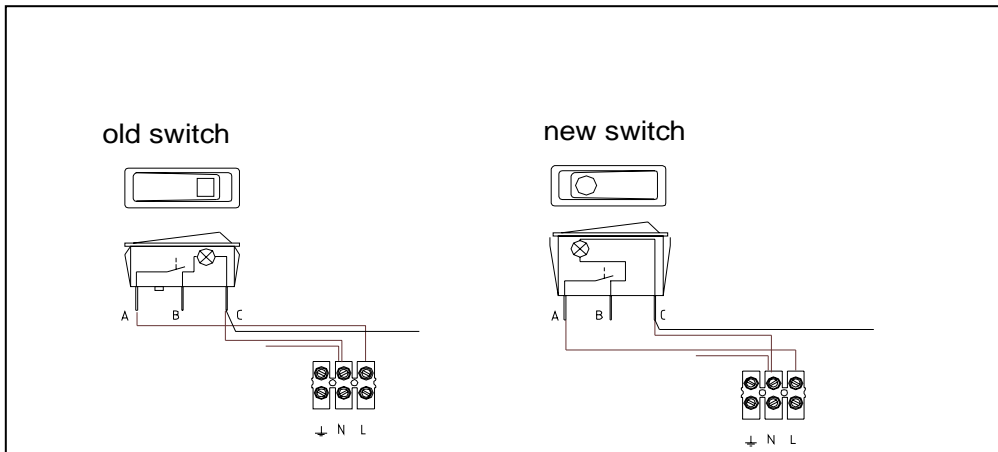


**The illuminated switch code: 43044 (white) will be replaced
by illuminated switch: 43028, 43031 (black, white).**

ATTENTION:

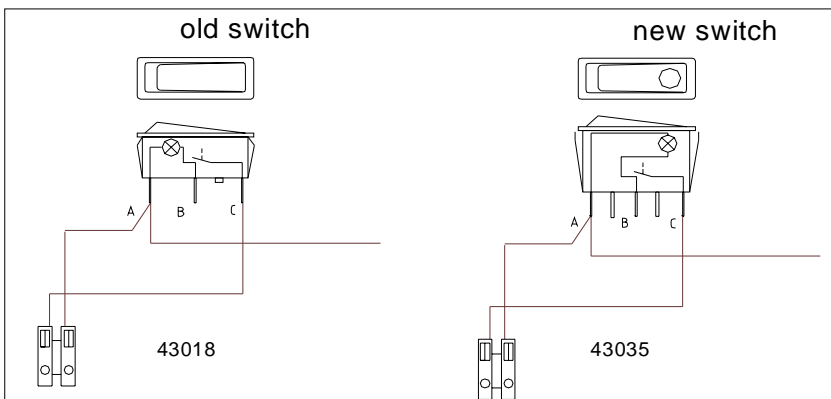
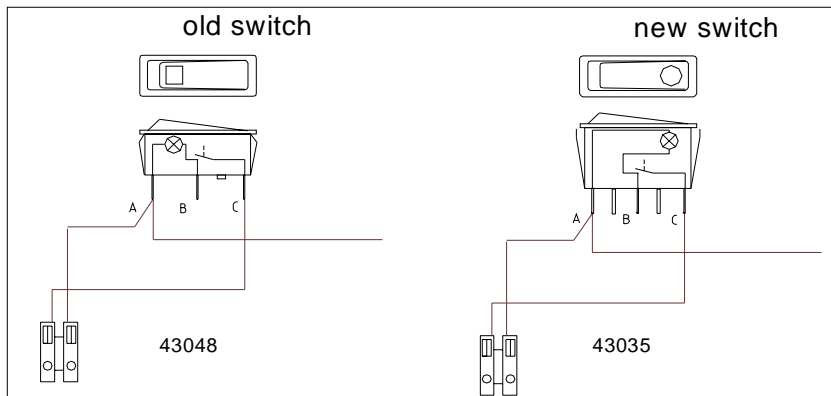
The illuminated lens of the new switch must be in the opposite direction as the old switch.
Electrical connections are similar.

Type: 851



Type: RC 1 and RC 2

Attention: Old switch 43018 and 43048 will be replaced by new switch 43035



service announcement type "GCS"

**Thermostat 46200 and thermo-fuse 43510 are replaced
by thermostat/thermofuse combination code number 46265.**

Reason:

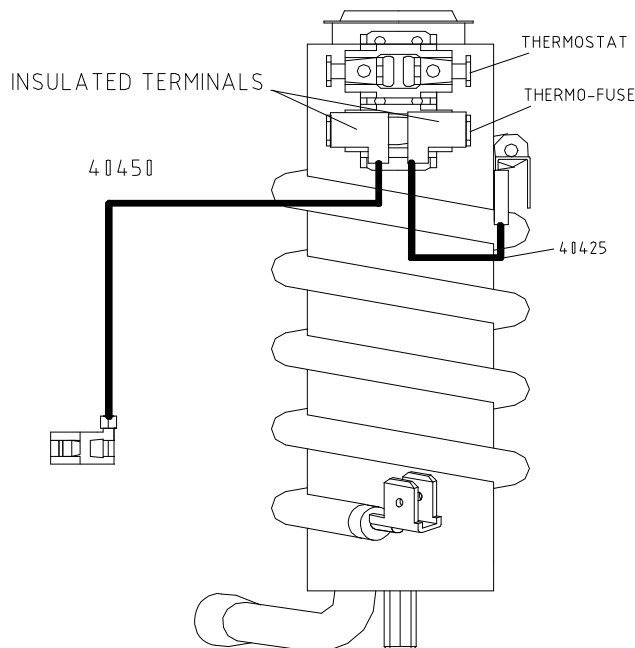
In the old situation the thermostat and thermo-fuse are located on different position, temperature rising on both position are not equal.

Result: the thermostat protects the heating element depending on the temperature at the location of the thermostat.

The temperature on the thermo-fuse is totally different and can reach peak temperature close or even over the trip temperature of the thermo-fuse.

Replacing old type boiling element by a new boiling element

The old type boiling element, with a separated thermostat and thermo-fuse unit, can be replaced simply by the new type boiling element with thermostat/thermo-fuse combination, connecting 2 wires, code 40425 and 40450, to thermo-fuse section of the combination as indicated in figure.



Old 1100W/230V code 45170 ▶new 1100W/230V code 45156

service announcement

Replacement for switch 43002 in CD-010

The switch 43002 is replaced by switch 43004

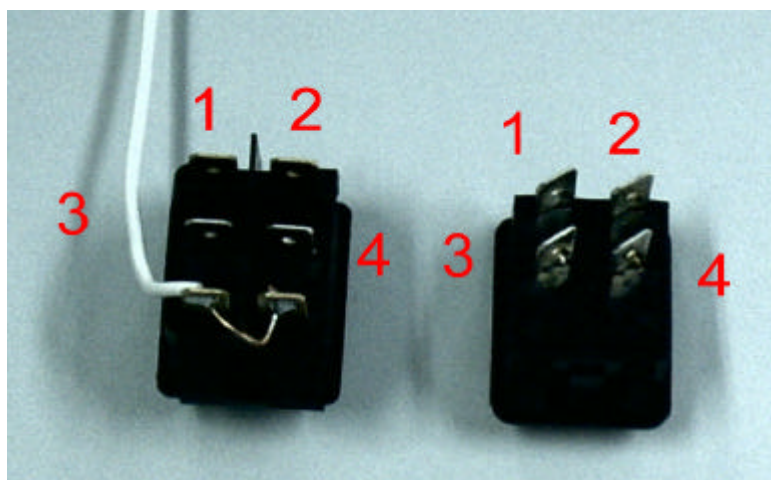
Reason:

New switch with illuminated actuators to improve the indication of the switch.

ATTENTION:

The new switch has a fixed wire (white) with connected-on bent tab to allow the connection of two receptacles on one connection point.

All connection points of the new switch must be insulated! (Insulation sleeve code 46085)



NEW SWITCH

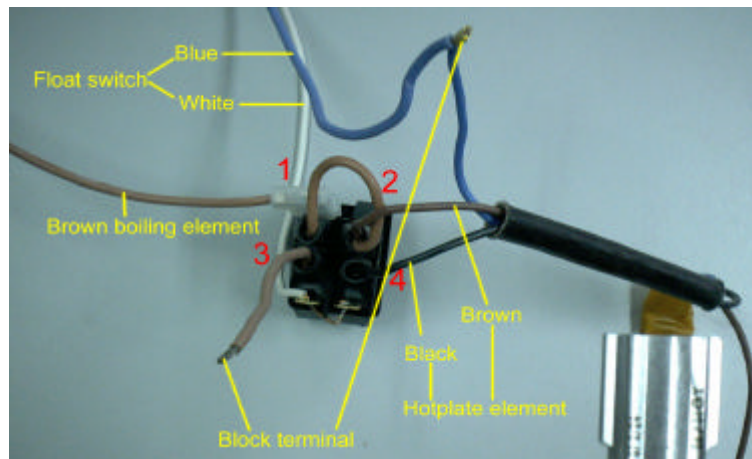
OLD SWITCH

INSTRUCTION:

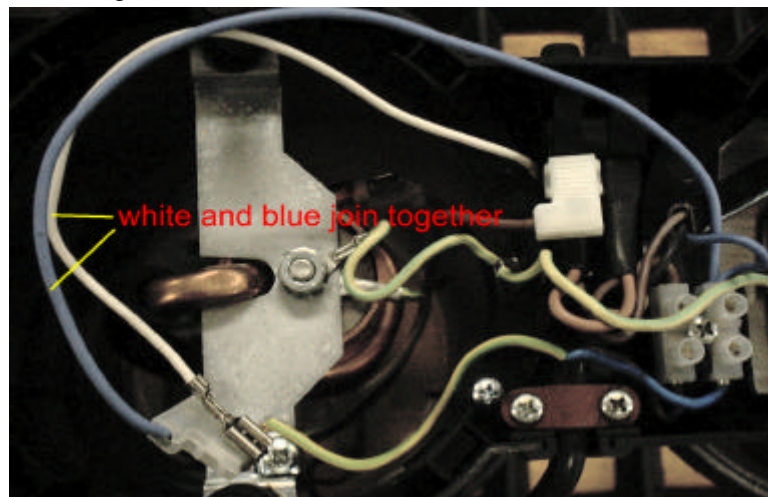
1. Disconnect the wires from the old switch
2. Remove the old switch from the cabinet
3. Press the new switch in the cabinet **ATTENTION:** mind the position of the indicator lights



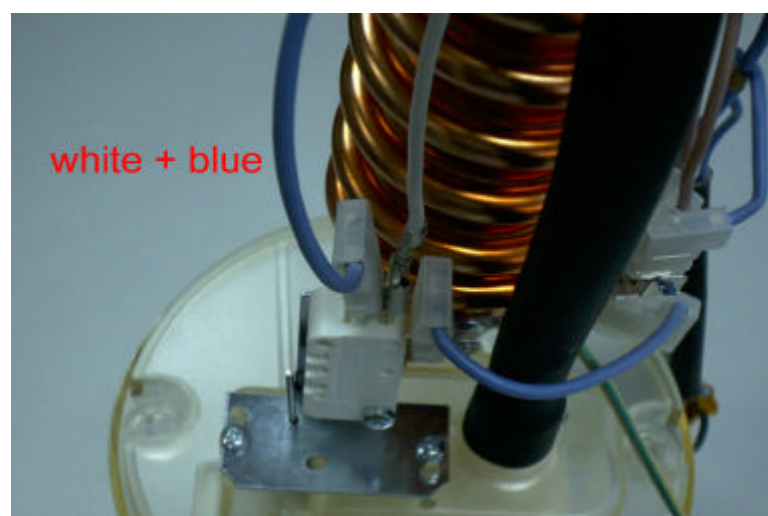
4. **ATTENTION:** Slide insulation sleeves code 46085 on the receptacles 3 and 4 and connect the wires to switch as indicated.



5. Remove the blue wire, connected to the block terminal, from the float switch.
6. Join this blue wire together with the fixed "white" wire from the new switch



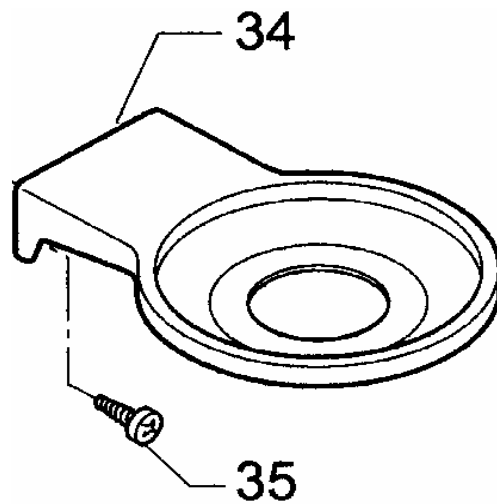
7. Connect the two wires on the float switch



service announcement

New filterbracket 12796, starting production 0106.

**The filterbracket 12795 black (34) for:
KB 741, KB 744 en KBT 741 is replaced by:**



Screw (35) 4,2 x 32, 70029 or 70032 is replaced by:

Screw M4 x 6, 71017

service announcement

Replacement boiling element for coffee maker type "CD, Starting with production code: 0107

Boiling element 45148, 1450W/230V, will be replaced by boiling element 45149 1450W/230V
Boiling element 45150, 1310W/240V, will be replaced by boiling element 45163 1310W/240V

Reason:

Standardization of boiling elements and the introduction of new models in the "CD" series.

Difference:

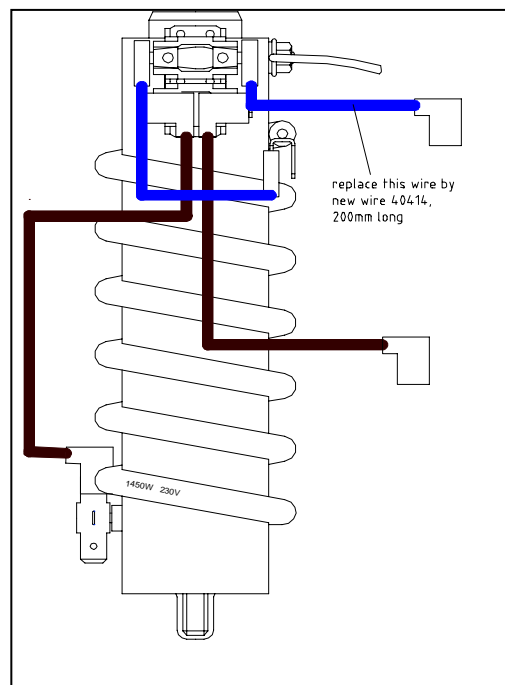
The position of the cold water inlet tube has been changed.

Benefits:

Reduction of spare-parts

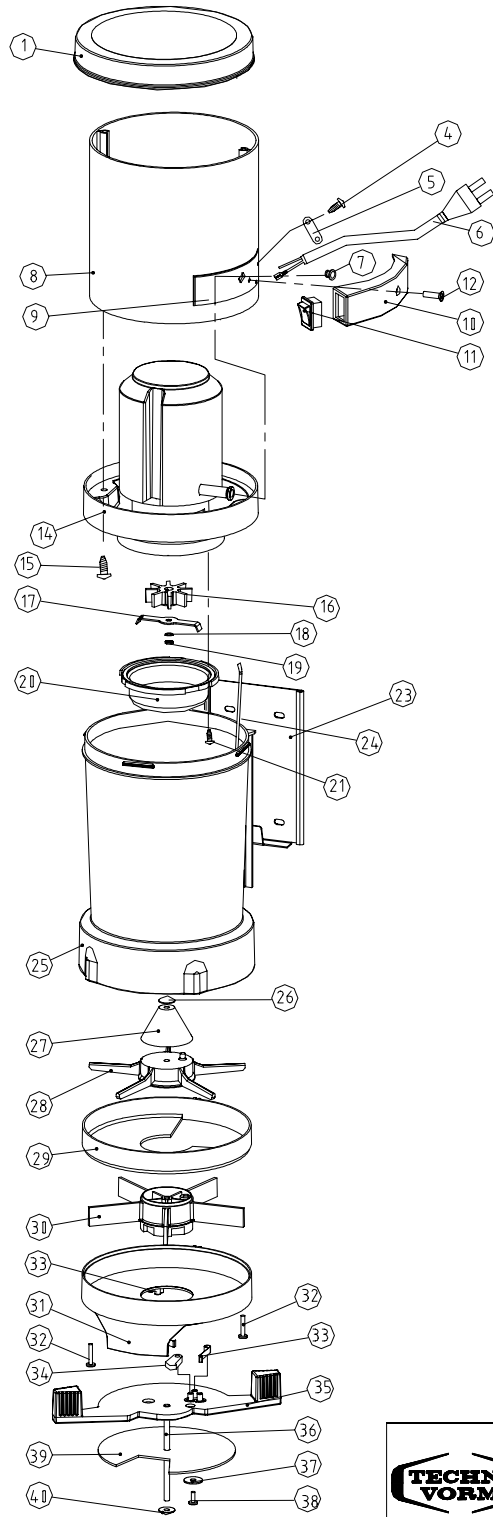
Attention:


To replace the old type boiling element 45148 and 45150, it is necessary to replace the wire connecting the float-switch and the thermostat/thermo-fuse by wire 40414 (length 200mm)



Wiring Boiler 45149 and 45163
for "CD" type

Wiring boiler 45113 for "CD" type,
1400W/120 V



	benaming	Coffeegrinder/dispenser	
	type	KM/DOS	
	datum	14-05-2004	
	getekend	FW	controle
	formaat	A4	bladnr. 1
	tek.nr.	EV KM/DOS	



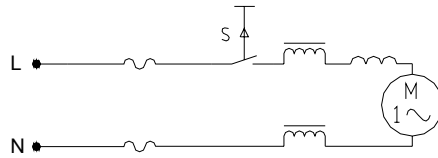
the coffeemaker makers.

MOCCAMASTER

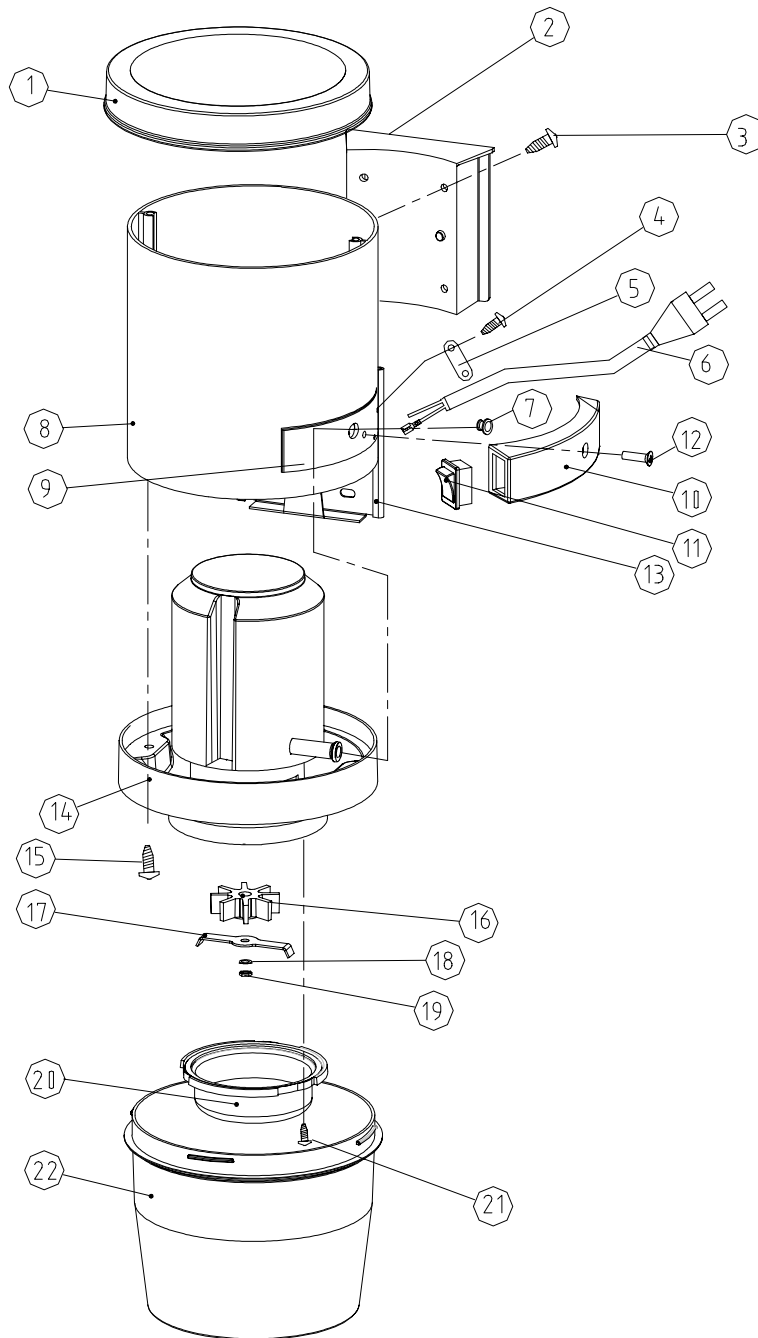
SPARES LIST FOR KM/DOS


Table with 3 columns: Item, Description, Code. Lists various spare parts for the MOCAMASTER coffee maker, including reservoir lid, screws, cord, container, insulation, switch, fan, cutter blade, lock washer, nut, sieves, dispenser rotor, and housing parts.

KM/DOS electrical diagram



Object/part No.	Manufacturer	Type/model	Technical Data	Mark(s) of conformity
Supply cord	Various	HO3VH2-F	2x 0,75 mm ²	HAR
Plug	Various	2-pole Class II		KEMA KEUR
Switch	Marquardt	1846	2(1)A 250V T85	KEMA KEUR
Motor	Sintech		185W 230V	
Wiring		HO5V2-K	0,50 mm ² (90° C)	

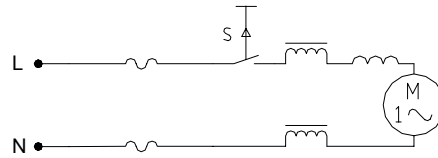


	benaming	Coffeegrinder	
	type	KM 4	
	datum	14-05-2004	
	getekend	FW	controle
	formaat	A4	bladnr. 1
	tek.nr.	EV KM4	

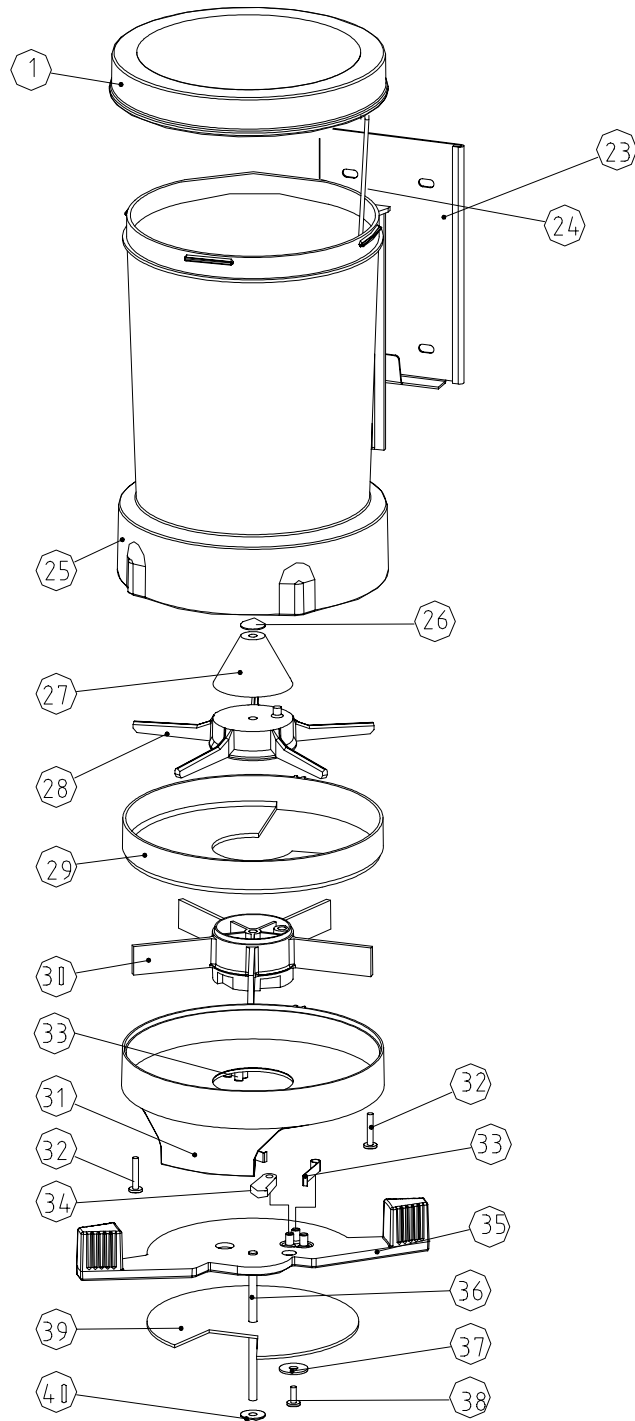
SPARES LIST FOR KM 4


Item:	Description	Code:
001	Reservoir lid	18000
002	Suspension.....	18230
003	Screw M4x10.....	71010
004	Screw, 2,9x6,5.....	70070
005	Cord anchorage.....	78170
006	Supply cord 2x 0,75	44004
007	Tightening socket	12220
008	Coffee container	58512
009	Insulation sheet, 2 layers	81013
010	Switch housing	18150
011	Switch	43230
012	Screw, M4x16.....	71016
013	Bearer.....	50140
014	Motor unit 230Vac, including 016	18250
015	Screw 4,2x13, stainless steel.....	70040
016	Fan	55906
017	Cutter blade.....	50030
018	Lock washer, M4	74020
019	Nut M4.....	72045
020	Sieve, no. 14	50120
↳	Sieve, no. 18	50125
↳	Sieve, no. 20	50128
021	Screw, 2,9x13.....	70045
022	Receptacle	18220

KM 4 electrical diagram



Object/part No.	Manufacturer	Type/model	Technical Data	Mark(s) of conformity
Supply cord	Various	HO3V/H2-F	2x 0,75 mm ²	HAR
Plug	Various	2-pole Class II		KEMA KEUR
Switch	Marquardt	1846	2(1)A 250V T85	KEMA KEUR
Motor	Sintech		185W 230V	
Wiring		H05V2-K	0,50 mm ² (90° C)	



	benaming	Dispenser	
	type	DOS	
	datum	14-05-2004	
	getekend	FW	controle
	formaat	A4	bladnr. 1
	tek.nr.	EV DOS	



the coffeemaker makers.

MOCCAMASTER

SPARES LIST FOR "DOS"

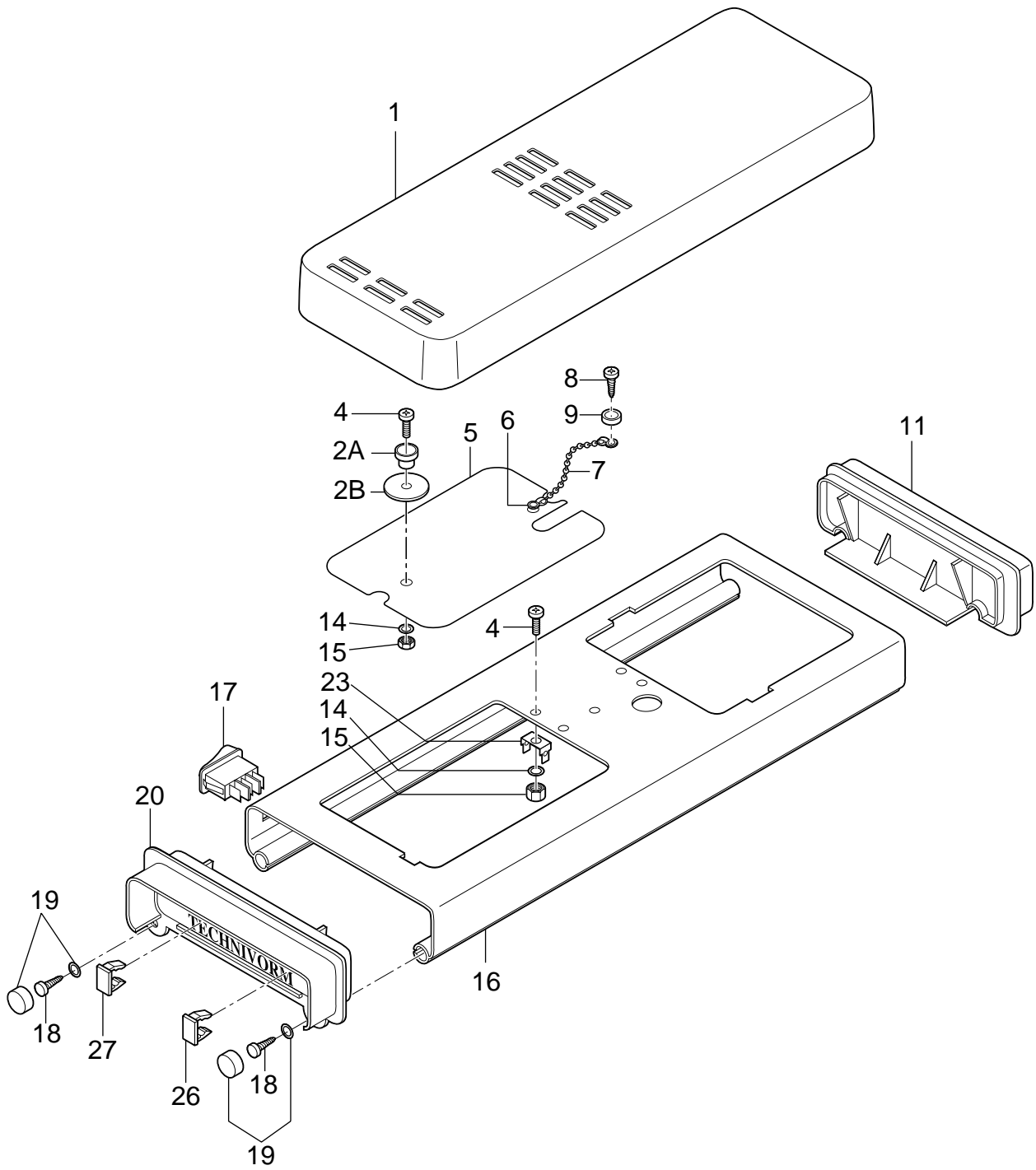
Item:	Description	Code:
001	Reservoir lid	18000
023	Slide bearer	50108
024	Wiper	50231
025	Dispenser	18005
026	Fastener	78240
027	Pilon.....	18050
028	Mixing rotor.....	18060
029	Housing mixing rotor	18100
030	Dispenser rotor	18070
031	Housing dispenser rotor	18110
032	Screw, 3,5x16.....	73063
033	Leaf spring.....	74020
034	Catch	18080
035	Operation handle	18140
036	Axis.....	77330
037	Washer	74038
038	Screw, 3,5x13.....	70062
039	Cover plate	11310
040	Fastener	78245
	Dispenser-unit "DOS", incl. 024, 026 – 040	18260




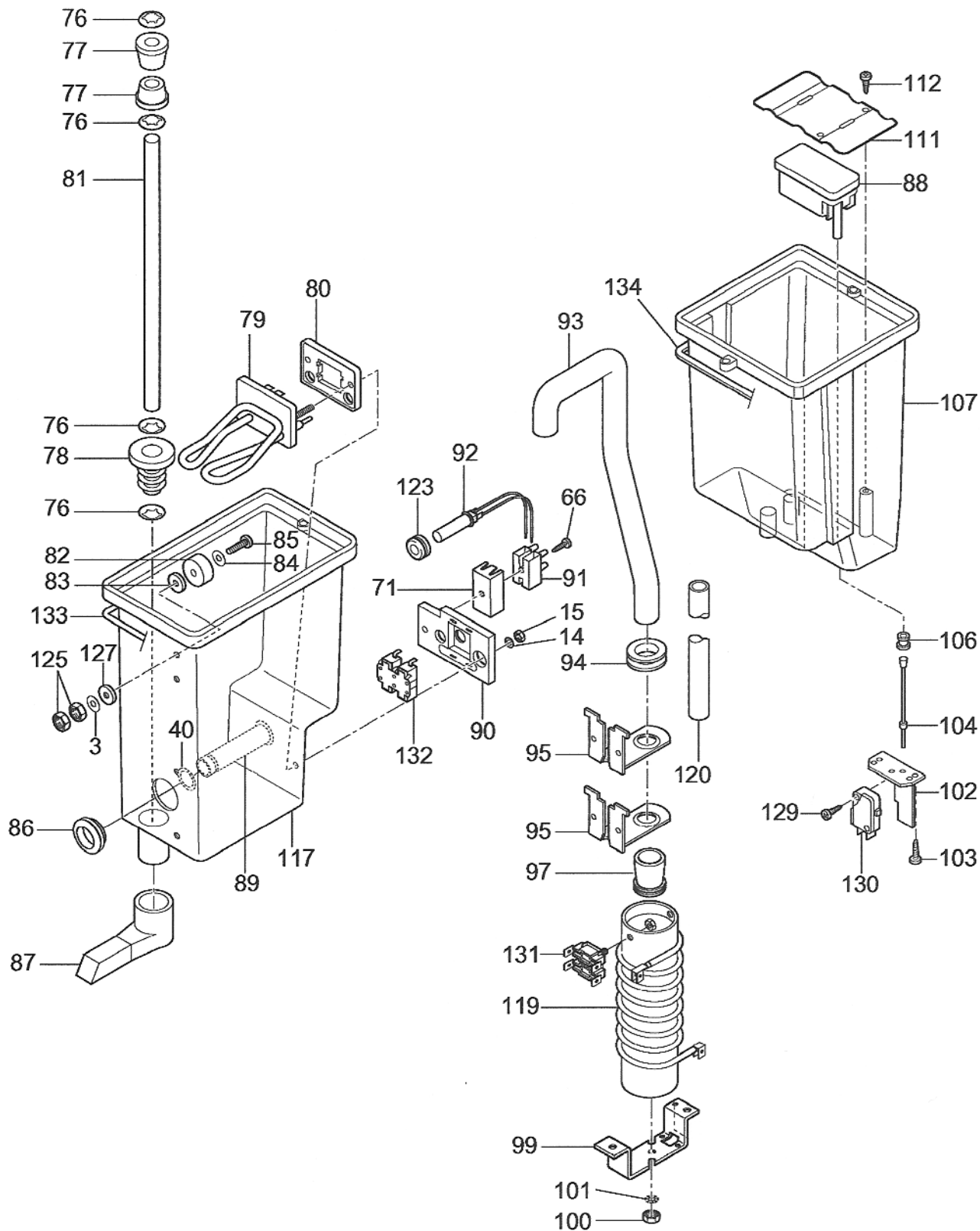
Partlist - exploded view,


“Professional coffeemakers”

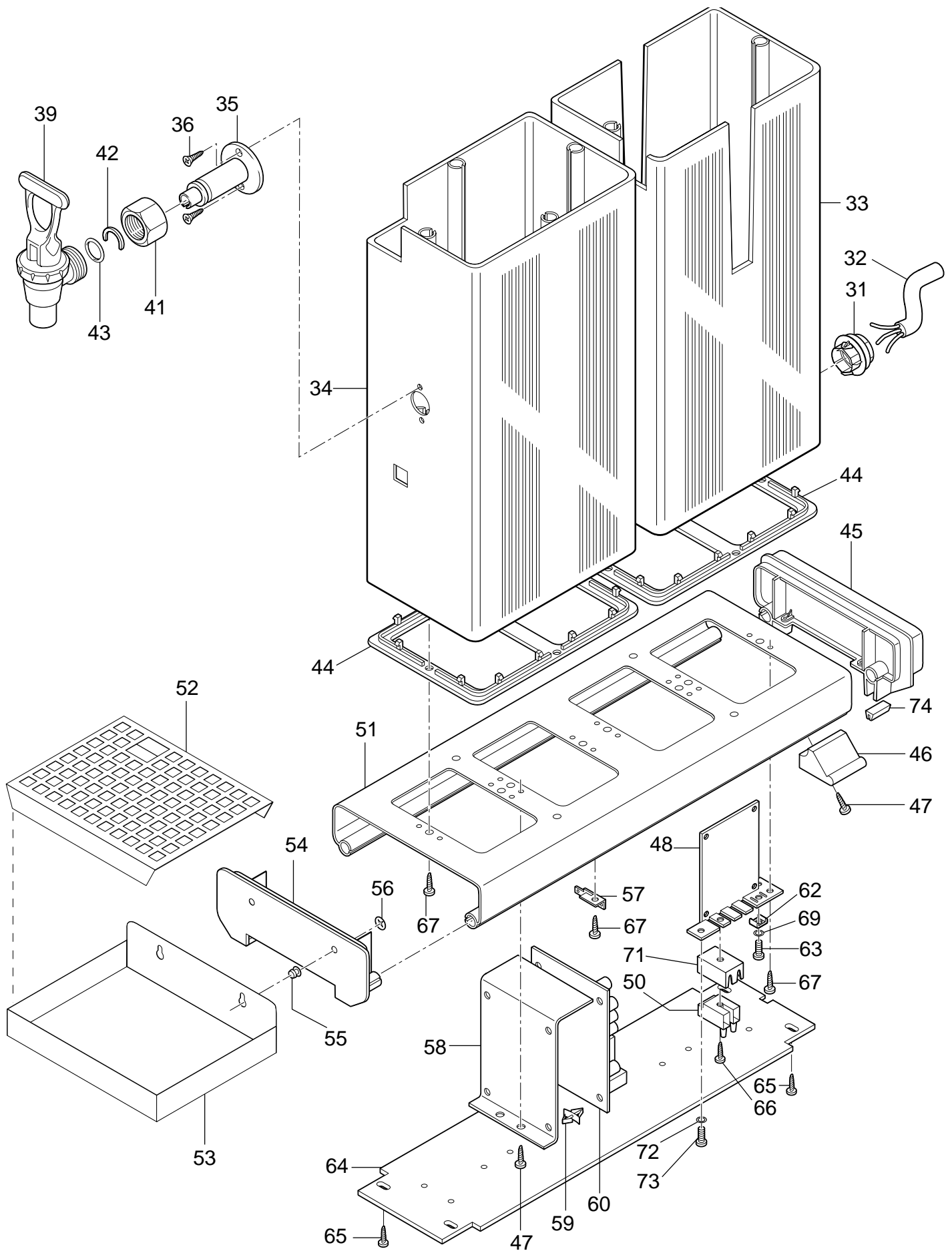
April 2007




 <p>AMERONGEN-HOLLAND</p>	benaming	Aquaserver	
	type	Manual	
	datum	02-10-2002	
	getekend	Insight ill.	controle
	formaat	A4	bladnr. 1
	tek.nr.		



 TECHNI VORM AMERONGEN-HOLLAND	benaming	Aquaserver	
	type	Manual	
	datum	02-10-2002	
	getekend	Insight ill.	controle
	formaat	A4	bladnr. 2
	tek.nr.		



 TECHNI VORM AMERONGEN-HOLLAND	benaming	Aquaserver	
	type	Manual	
	datum	02-10-2002	
	getekend	Insight ill.	controle
	formaat	A4	bladnr. 3
	tek.nr.		

SPARES LIST FOR AQUASERVER MANUAL

Item.	Description.	Code.
001	Lid hotwatermachine, black	13070
002A	Notchknob	12840
002B	Knobdisc	12841
004	Screw, M4x12	71005
005	Lid complete (incl. item 2a, 2b, 4, 6, 7, 14, 15).....	56951
006	Fastening eye.....	77000
007	Chain	77005
008	Screw 4,2x19, stainless steel.....	70010
009	Rubber sealing washer	12020
011	Upper rear handle, black.....	11756
014	Lockwasher, M4, stainless steel	74022
015	Nut, M4, stainless steel.....	72045
016	Upperbase, Aquaserver, black.....	55049
↳	Upperbase, Aquaserver, creme	55051
↳	Upperbase, Aquaserver, blue	55048
017	Main switch, black, illuminated.....	43042
018	Screw 4,2x13, stainless steel.....	70040
019	Capring, gray.....	12333
020	Upper front handle, Aquaserver, black	11754
023	U-shaped tab.....	46041
026	Cover brewing indicator lamp	43668
027	Cover scale indicator lamp.....	43671
031	Cord anchorage	11262
032	Flex with plug, 3x1,5 ² , black	44085
↳	Flex with plug, 3x1,5 ² , black (GB).....	44064
033	Housing, 345mm, black	57188
↳	Housing, 345mm, cream.....	57100
↳	Housing, 345mm, blue	57186
034	Housing, Aquaserver, 345mm, black.....	57102
↳	Housing, Aquaserver, 345mm, cream	57103
↳	Housing, Aquaserver, 345mm, blue	57107
035	Outlet, chromium plated.....	54920
036	Screw 2,9x13	70046
039	Watertap.....	54960
040	O-ring, 13x2,5	63220
041	Nut, chromium plated.....	54941
042	Securityring watertap	74065
043	O-ring, 15,55x2,62	63230
044	Sealing ring, black.....	11396
045	Lower rear handle, black.....	11715
046	Feet, black.....	11271
047	Screw, 3,5x9,5	70050
048	Fixingplate, block terminal	54011
050	Block terminal	46060
051	Lower base, Aquaserver, black	55043
↳	Lower base, Aquaserver, cream	55041
↳	Lower base, Aquaserver, blue	55044
052	Grid drip tray	54885
053	Drip tray.....	54875
054	Lower front handle, black.....	11125
055	Bolt drip tray.....	71300
056	Fastener, 3mm, stainless steel	78265
057	Earth terminal.....	54171
058	Fixingplate, printed circuit board	54020
059	Printed circuit board support.....	48050
060	Printed circuit board	48010A



the coffemaker makers.

AMERONGEN - HOLLAND

SPARES LIST FOR AQUASERVER MANUAL

Item.	Description.	Code.
062	Tightening clip	54161
063	Screw, M4x10	71010
064	Bottomplate, Aquaserver	11344
065	Screw, M3x8	71060
066	Screw, 2,9x19	70065
067	Screw + Lockwasher	70081
069	Lockwasher, M4	74020
071	Fixation block terminal	11240
072	Lockwasher, M5	74024
073	Screw, M5x10 taptite	71070
074	Rubber feet	61150
076	Fastener, 10mm, stainless steel	78260
077	Handle overflow	16020
078	Rubber sealing overflow	60025
079	Element, hotwatercontainer	45090
080	Silicon sealing hotwaterelement	60020
081	Overflow (incl. 076, 077, 078)	56801
082	Delrin bush	16640
083	Silicon sealing disk	60060
084	Fiber sealing	63110
085	Screw, M3x20, stainless steel	71110
086	Rubber sealingring	62100
087	Rubber overflow tube	60180
088	Float	12235
089	Outletpipe connection	54925
090	Fixation flange	16460
091	Block terminal	46070
092	Temperature sensor, 730-063	46310-A
093	Bended overflowpipe	51104
094	Rubber sealing ring	62100
095	Fixation bracket	56611
097	Rubber adapter	62105
099	Elementbracket	51489
100	Nut, M6	72035
101	Lockwasher, M6	74025
102	Fixingplate microswitch	54151
103	Screw, 2,9x6,5	73050
104	Switch pawl	54155
106	Tightening socket	12220
107	Coldwatercontainer	11051
111	Floathood	54125
112	Screw, 2,9x6,5, stainless steel	73060
113	Fixation overflowpipe	54455
114	Overflowpipe	11550
115	Connectiontube overflow	51036
116	Rubber adapter	60010
117	Hotwatercontainer	11068
119	Boiling element, 2200W/230V.(incl. 131)	45209
↳	Boiling element, 2000W/240V.(incl. 131)	45203
120	Rubber tube, 217mm	60092
121	Rubber tube, 100mm	60123
122	Silicon overflow tube, 245mm	64045
123	Grommet 10x13	62170
125	Nut, M3, stainless steel	72026
126	Nut, M8, stainless steel	72060
127	Closing ring, stainless steel	74043



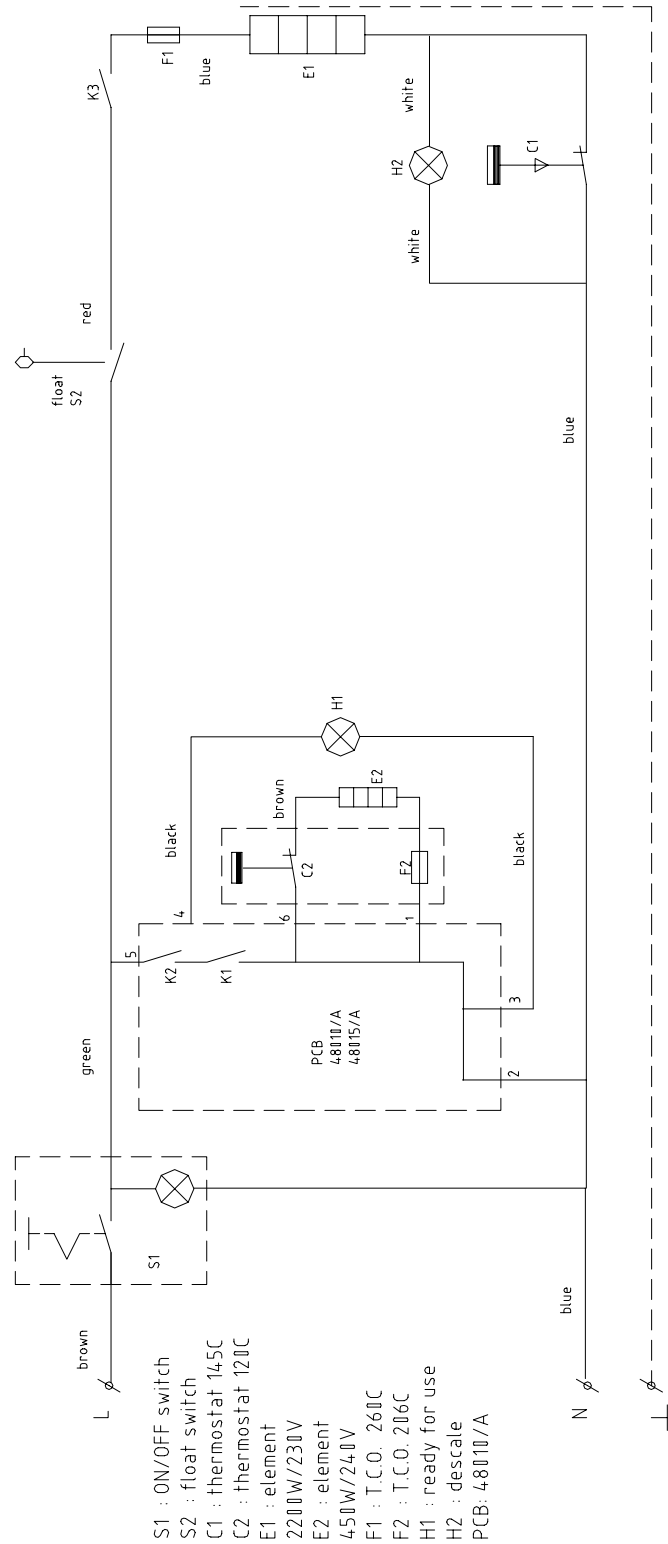
the coffeemaker makers.

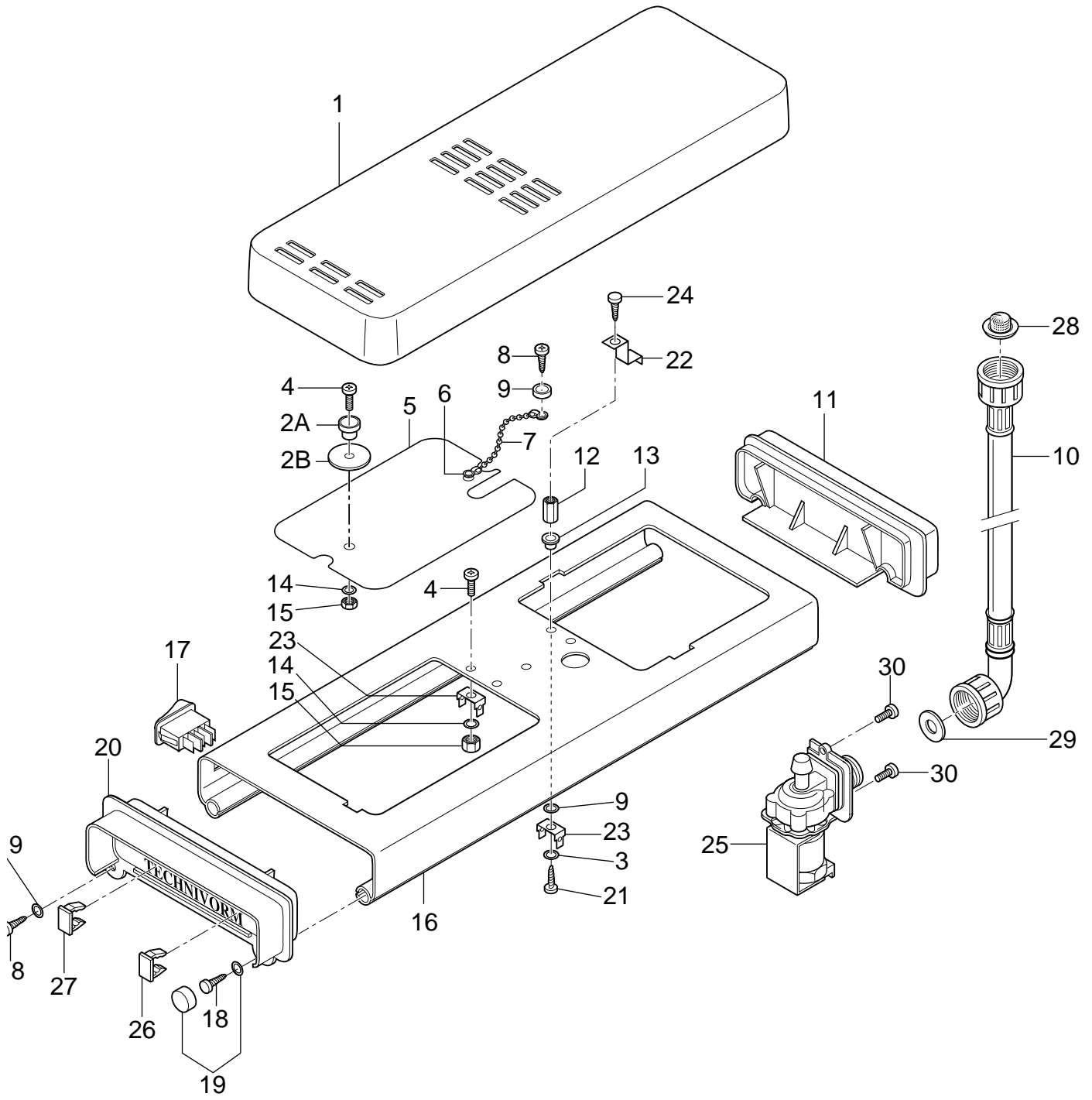
AMERONGEN - HOLLAND


SPARES LIST FOR AQUASERVER MANUAL

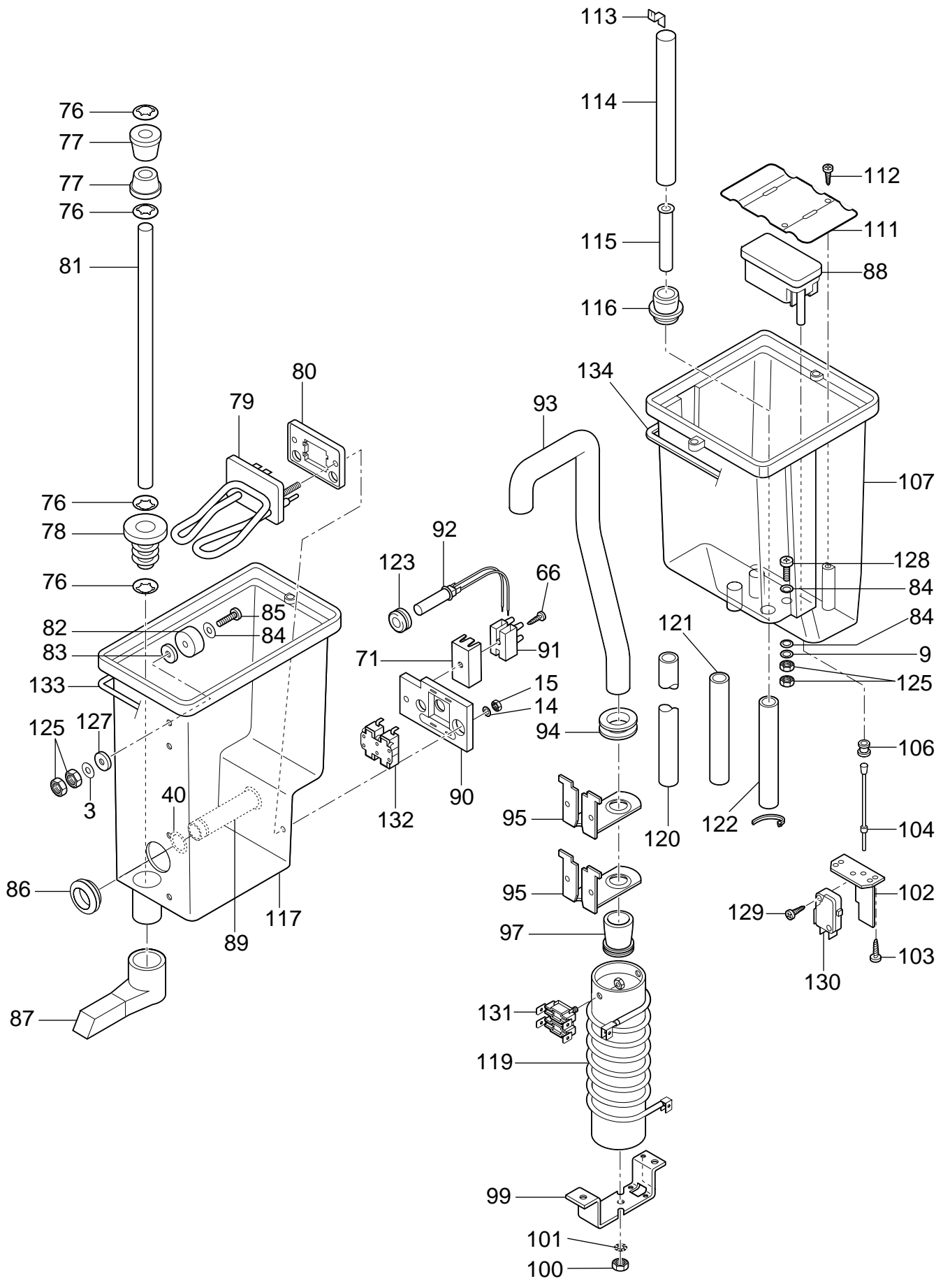
Item.	Description.	Code.
128	Screw, M3x12, stainless steel.....	71100
129	Screw, M3x16	73000
130	Microswitch	43305
131	Thermostat / thermofuse combination	46260
132	Temp. Safety device	46351
133	Sealing ring, hotwatercontainer	60036
134	Sealing ring, coldwatercontainer.....	60035


AQUASERVER MANUAL – electrical diagram

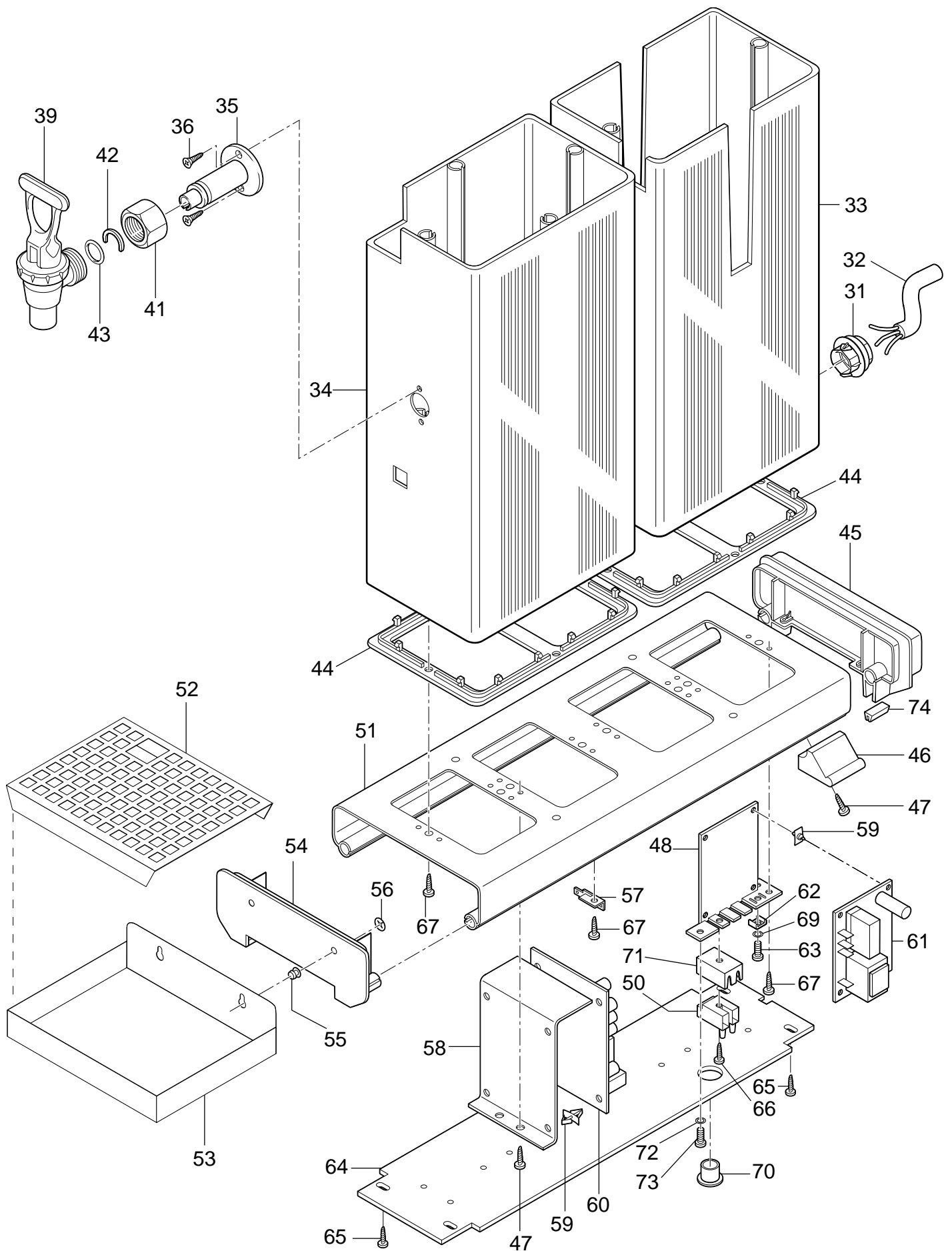





	benaming	Aquaserver	
	type	Autofill	
	datum	02-10-2002	
	getekend	Insight ill.	controle
	formaat	A4	bladnr. 1
tek.nr.			



 TECHNI VORM AMERONGEN - HOLLAND	benaming	Aquaserver	
	type	Autofill	
	datum	02-10-2002	
	getekend	Insight ill.	controle
	formaat	A4	bladnr. 2
	tek.nr.		



 TECHNI VORM [®] AMERONGEN - HOLLAND	benaming	Aquaserver	
	type	Autofill	
	datum	02-10-2002	
	getekend	Insight III.	controle
	formaat	A4	bladnr. 3
	tek.nr.		



the coffemaker makers.

AMERONGEN - HOLLAND

Item.	Description.	Code.
001	Lid hotwatermachine, black	13070
002A	Notchknob	12840
002B	Knobdisc	12841
003	Lockwasher, M3	74015
004	Screw, M4x12	71005
005	Lid hotwatercontainer, stainless steel	56951
006	Fastening eye	77000
007	Chain	77005
008	Screw 4,2x19, stainless steel	70010
009	Rubber sealing washer	12020
010	Watertube, 1½ mtr, ¾"	62330
↳	Watertube, 1½ mtr, ½" (DNK)	62340
011	Upper rear handle, black	11756
012	Spacer, nickel plated	78320
013	Insulation bush	62430
014	Lockwasher, M4, stainless steel	74022
015	Nut, M4, stainless steel	72045
016	Upperbase, Aquaserver, black, autofill	55049
↳	Upperbase, Aquaserver, creme, autofill	55051
↳	Upperbase, Aquaserver, blue, autofill	55048
017	Main switch, black, illuminated	43042
018	Screw 4,2x13, stainless steel	70040
019	Capring, gray	12333
020	Upper front handle, Aquaserver, black	11754
021	Screw, M3x10	71128
022	Sensor, autofill system	56540
023	U-shaped tab	46041
024	Screw, M3x6, stainless steel	71048
025	Inlet valve, Aquaserver	88408
026	Cover brewing indicator lamp	43668
027	Cover scale indicator lamp	43671
028	Strainer	62370
029	Rubber sealing ring ¾	62360
030	Screw, M4x10	71030
031	Cord anchorage	11262
032	Flex with plug, 3x1,5 ² , black	44085
↳	Flex with plug, 3x1,5 ² , black (GB)	44064
033	Housing, 345mm, black	57198
↳	Housing, 345mm, cream	57199
↳	Housing, 345mm, blue	57200
034	Housing, Aquaserver, 345mm, black	57102
↳	Housing, Aquaserver, 345mm, cream	57103
↳	Housing, Aquaserver, 345mm, blue	57107
035	Outlet, chromium plated	54920
036	Screw 2,9x13	70046
039	Watertap	54960
040	O-ring, 13x2,5	63220
041	Nut, chromium plated	54941
042	Securityring watertap	74065
043	O-ring, 15,55x2,62	63230
044	Sealing ring, black	11396
045	Lower rear handle, black	11715
046	Feet, black	11271
047	Screw, 3,5x9,5	70050
048	Fixingplate, block terminal	54011
050	Block terminal	46060



the coffemaker makers.

AMERONGEN - HOLLAND

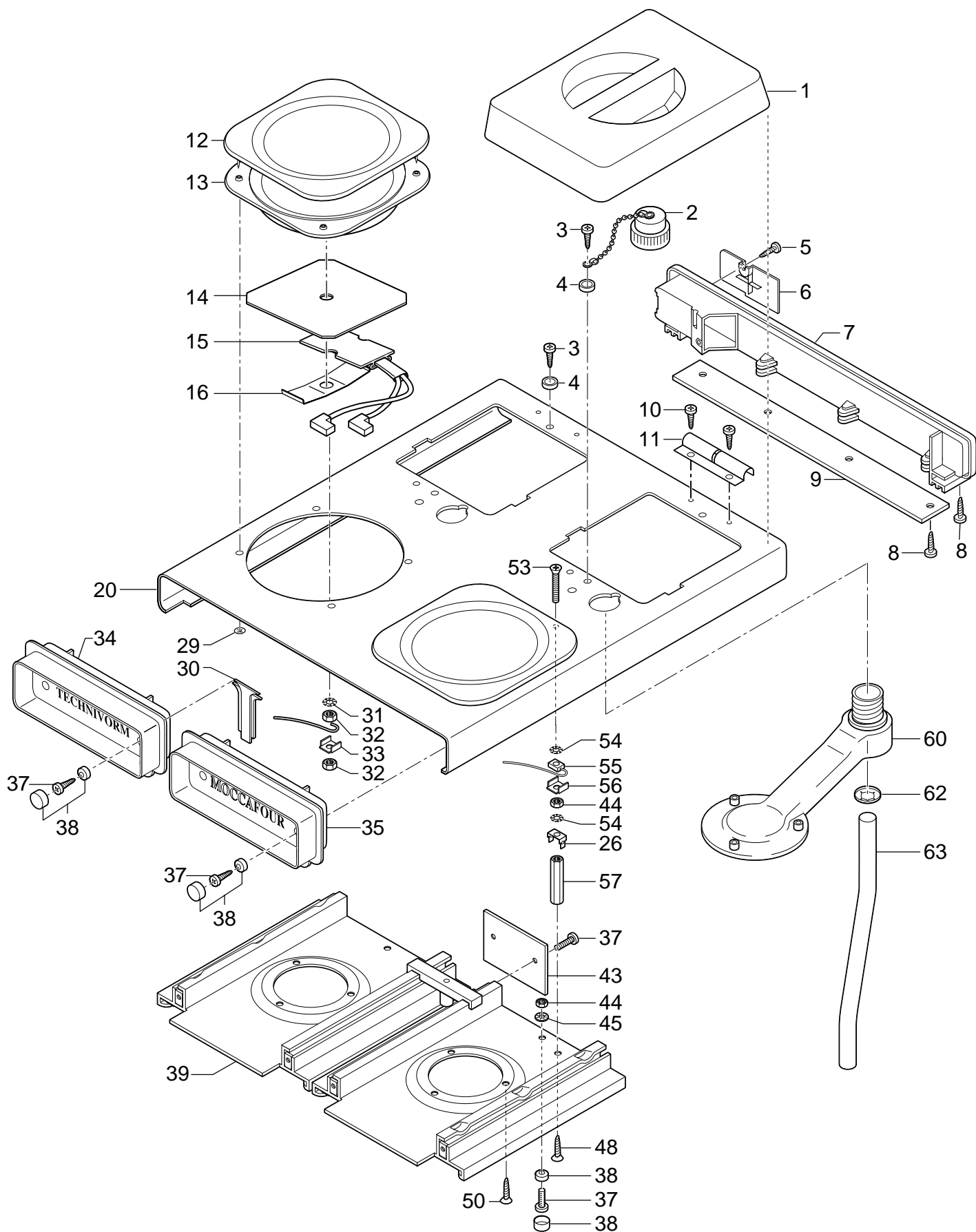
Item.	Description.	Code.
051	Lower base, Aquaserver, black	55043
↳	Lower base, Aquaserver, cream	55041
↳	Lower base, Aquaserver, blue	55044
052	Grid drip tray	54885
053	Drip tray	54875
054	Lower front handle, black	11125
055	Bolt drip tray	71300
056	Fastener, 3mm, stainless steel	78265
057	Earth terminal	54171
058	Fixingplate, printed circuit board	54020
059	Printed circuit board support	48050
060	Printed circuit board	48010A
061	Printed circuit board, autofill system	48040
062	Tightening clip	54161
063	Screw, M4x10	71010
064	Bottomplate, Aquaserver	11364
065	Screw, M3x8	71060
066	Screw, 2,9x19	70065
067	Screw + Lockwasher	70081
069	Lockwasher, M4	74020
070	Copper tube	51030
071	Fixation block terminal	11240
072	Lockwasher, M5	74024
073	Screw, M5x10 taptite	71070
074	Rubber feet	61150
076	Fastener, 10mm, stainless steel	78260
077	Handle overflow	16020
078	Rubber sealing overflow	60025
079	Element, hotwatercontainer	45090
080	Silicon sealing hotwaterelement	60020
081	Overflow (incl. 076, 077, 078)	56801
082	Delrin bush	16640
083	Silicon sealing disk	60060
084	Fiber sealing	63110
085	Screw, M3x20, stainless steel	71110
086	Rubber sealingring	62100
087	Rubber overflow tube	60180
088	Float	12235
089	Outletpipe connection	54925
090	Fixation flange	16460
091	Block terminal	46070
092	Temperature sensor, 730-063	46310-A
093	Bended overflowpipe	51104
094	Rubber sealing ring	62100
095	Fixation bracket	56611
097	Rubber adapter	62105
099	Elementbracket	51489
100	Nut, M6	72035
101	Lockwasher, M6	74025
102	Fixingplate microswitch	54151
103	Screw, 2,9x6,5	73050
104	Switch pawl	54155
106	Tightening socket	12220
107	Coldwatercontainer	11051
111	Floathood	54125
112	Screw, 2,9x6,5, stainless steel	73060




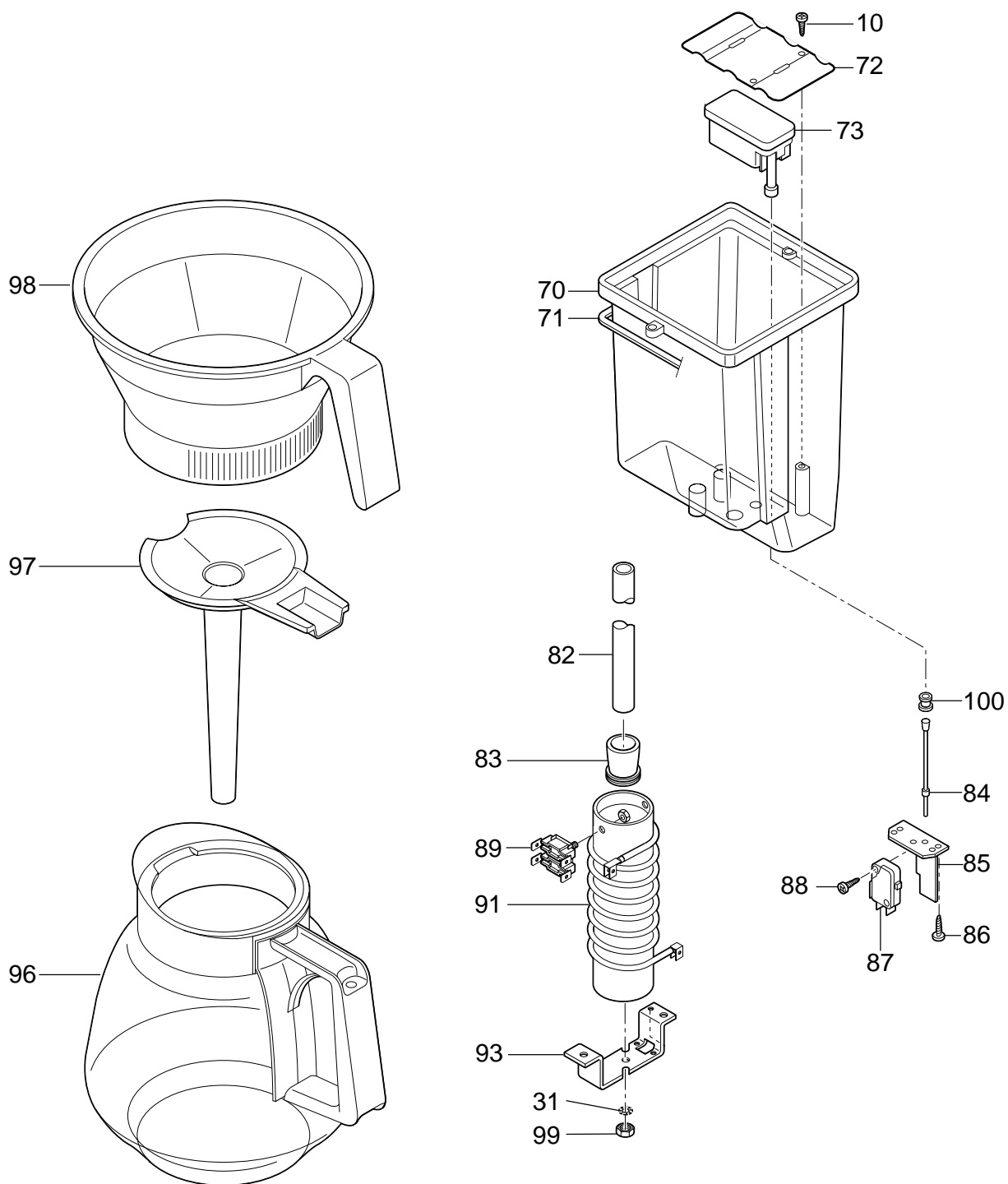
the coffeemaker makers.


AMERONGEN - HOLLAND

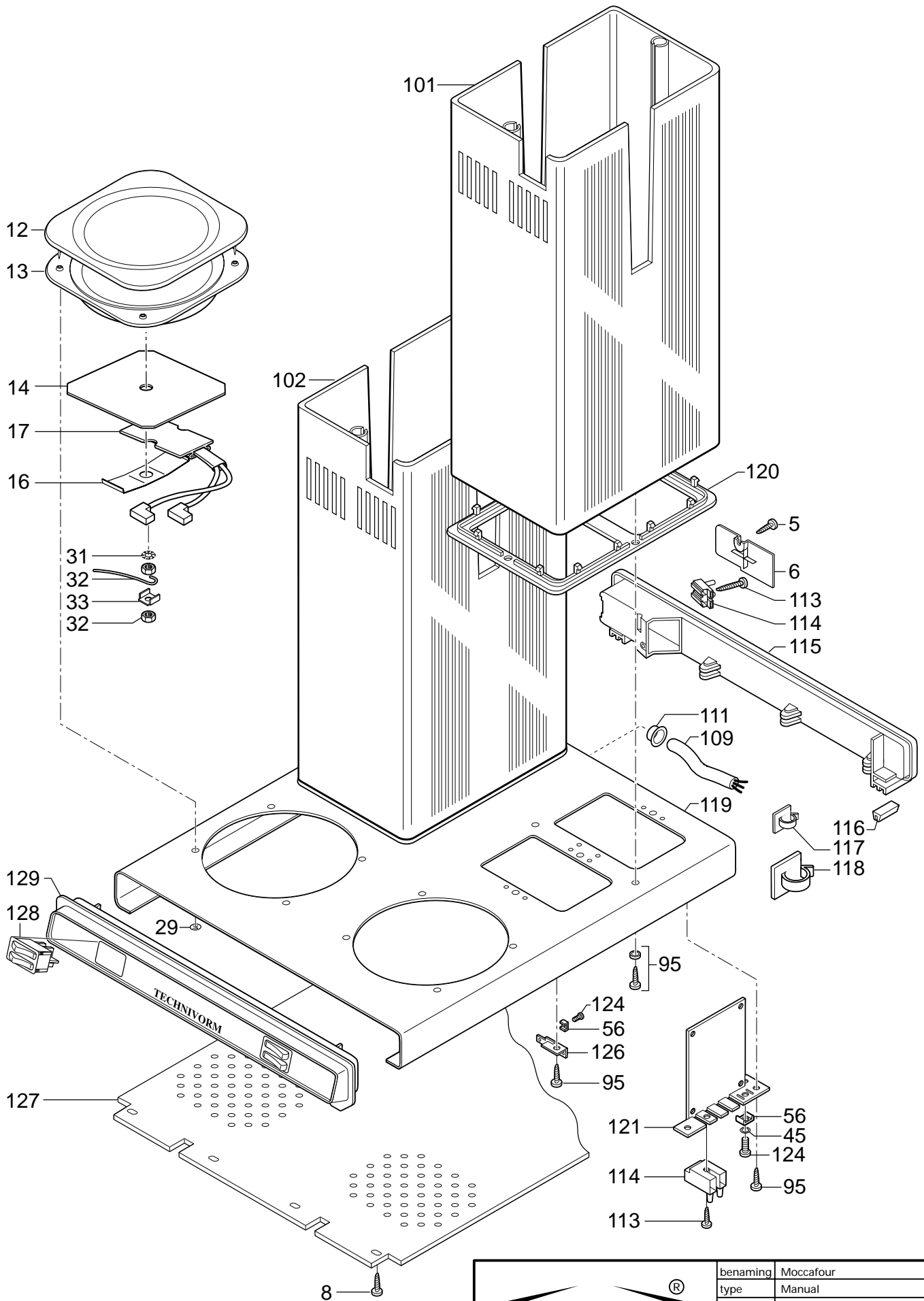
Item.	Description.	Code.
113	Fixation overflowpipe	54455
114	Overflowpipe	11550
115	Connectiontube overflow	51036
116	Rubber adapter	60010
117	Hotwatercontainer	11068-A
	Hotwater container complete incl:	11074
	018,019,021,071,074,080 - 087,090, 116, 126 - 129	
119	Boiling element, 2200W/230V.(incl. 131).....	45209
↳	Boiling element, 2000W/240V.(incl. 131).....	45203
120	Rubber tube, 217mm	60092
121	Rubber tube, 100mm	60123
122	Silicon overflow tube, 245mm	64045
123	Grommet 10x13	62170
125	Nut, M3, stainless steel	72026
127	Closing ring, stainless steel	74043
128	Screw, M3x12, stainless steel.....	71100
129	Screw, M3x16	73000
130	Microswitch	43305
131	Thermostat / thermofuse combination	46260
132	Temp. Safety device	46351
133	Sealing ring, hotwatercontainer	60036
134	Sealing ring, coldwatercontainer.....	60035



 <p>AMERONGEN-HOLLAND</p>	benaming	Moccafour	
	type	Manual	
	datum	02-10-2002	
	getekend	Insight ill.	controle
	formaat	A4	bladnr. 1
	tek.nr.		



 <p>TECHNI VORM AMERONGEN - HOLLAND</p>	benaming	Moccafour
	type	Manual
	datum	02-10-2002
	getekend	Insight ill. controle
	formaat	A4 bladnr. 2
	tek.nr.	



	benaming	Moccacfour	
	type	Manual	
	datum	02-10-2002	
	getekend	Insight ill.	controle
	formaat	A4	bladnr. 3
tek.nr.			



the coffemaker makers.

AMERONGEN - HOLLAND

SPARES LIST FOR MOCCAFOUR MANUAL

Item.	Description.	Code.
001	Lid coldwatercontainer, black.....	13061
002	Drainplug, black	11516
003	Parker 4,2x19, stainless steel.....	70010
004	Sealing washer.....	12020
005	Screw 3,5x13	70055
006	Cover, flex go-through, black.....	11247
007	Rear panel, black	11193
008	Parker 3,5x9,5.....	70050
009	Cover strip.....	54290
010	Screw 2,9x6,5, stainless steel.....	73060
011	Hinge.....	54100
012	Hotplate, oven enamelled, black.....	52064
013	Hotplate support, black	11415
014	Aluminium disc hotplate	55410
015	Ptc hotplate element, HP-05.....	41265
016	Tightening spring hotplate element.....	56976
017	Ptc hotplate element, HP-05.....	41265
020	Upper base, cream	55451
↳	Upper base, black	55452
↳	Upper base, blue.....	55453
029	Speednut.....	78250
030	Insert black.....	11141
031	Lock washer, M6.....	74025
032	Nut M6x5.....	72035
033	Earth clip, M6	78151
034	Upper front handle, black.....	11755
↳	Sticker upper front handle, silver-black.....	81175
↳	Sticker upper front handle, cream-black.....	81172
035	Upper front handle, black.....	11755
↳	Sticker upper front handle, silver-black.....	81165
↳	Sticker upper front handle, cream-black.....	81162
037	Screw M4x8, stainless steel.....	71046
038	Capring grey.....	12333
039	Filterholder MF complete, black.....	55877
043	Cover plate, cream.....	55915
↳	Cover plate, black	55916
044	Nut, M4.....	72015
045	Lock washer, M4	74010
048	Screw M4x12, stainless steel.....	71005
050	Screw 4,2x16, stainless steel.....	70030
053	Screw M4x20	71035
054	Lock washer M4	74010
055	Nut M4.....	72020
056	Earth clip	54161
057	Connection nut.....	75010
060	Outletpipe.....	11502
062	Fastener 15mm, stainless steel	78255
063	Bended watertransportpipe, 253mm.....	56819
070	Coldwater container	11050
071	Sealingring coldwatercontainer.....	60035
072	Floathood, stainless steel	54125
073	Float	12235
076	Tightening socket.....	12220
082	Rubber tube, 217mm	60092
083	Grommet	62105
084	Switch pawl	54155



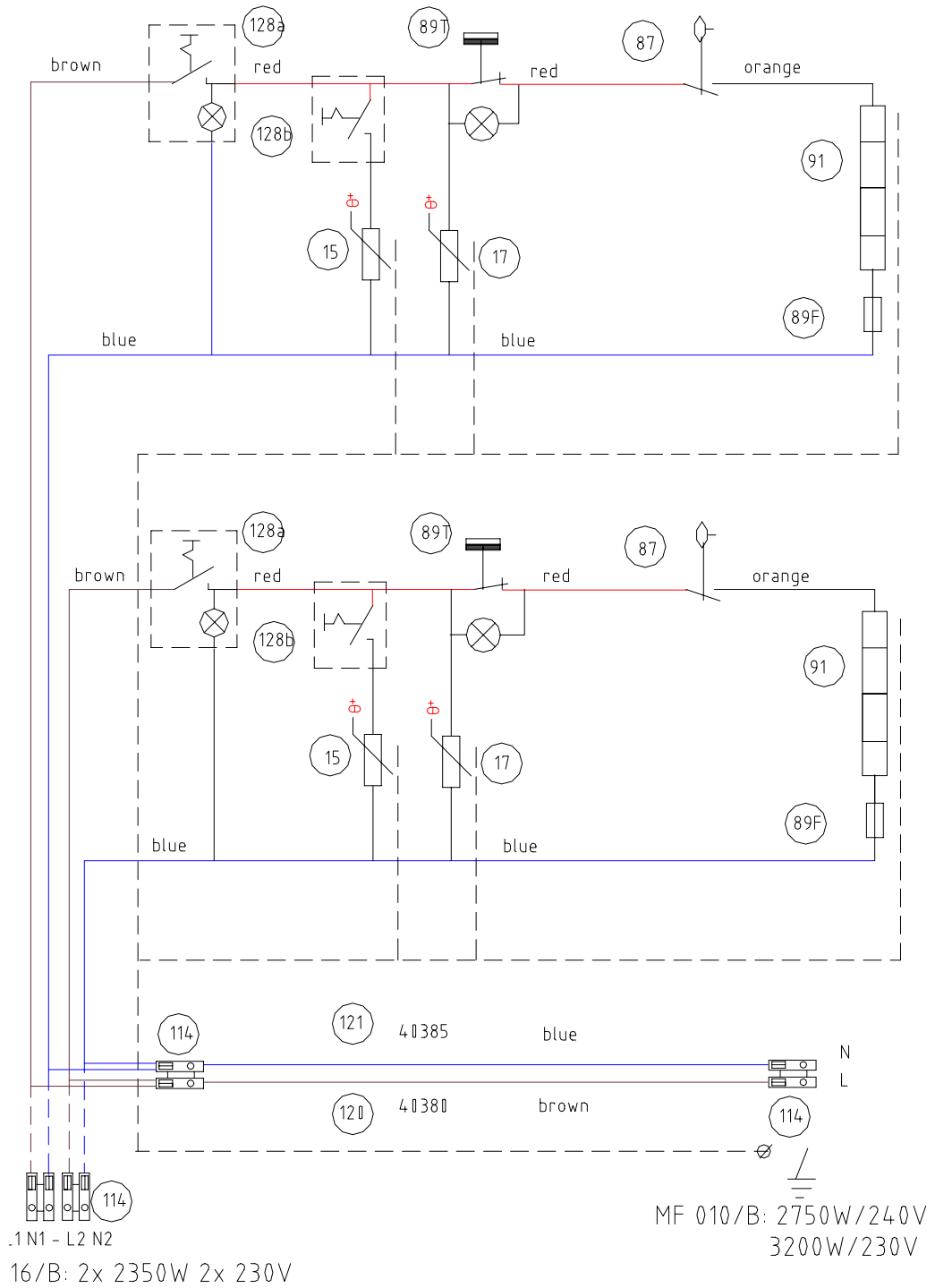
the coffemaker makers.

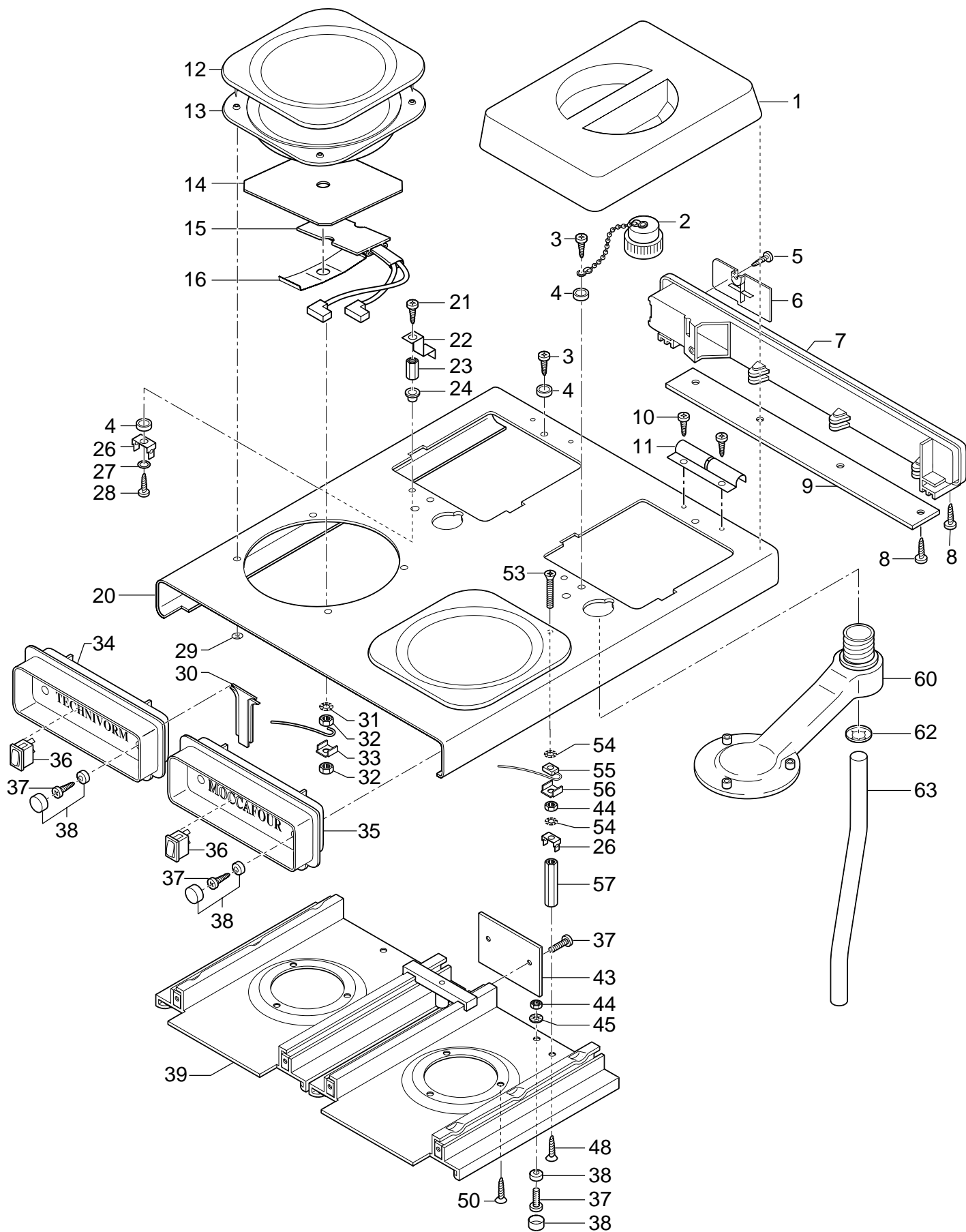
AMERONGEN - HOLLAND


SPARES LIST FOR MOCCAFOUR MANUAL

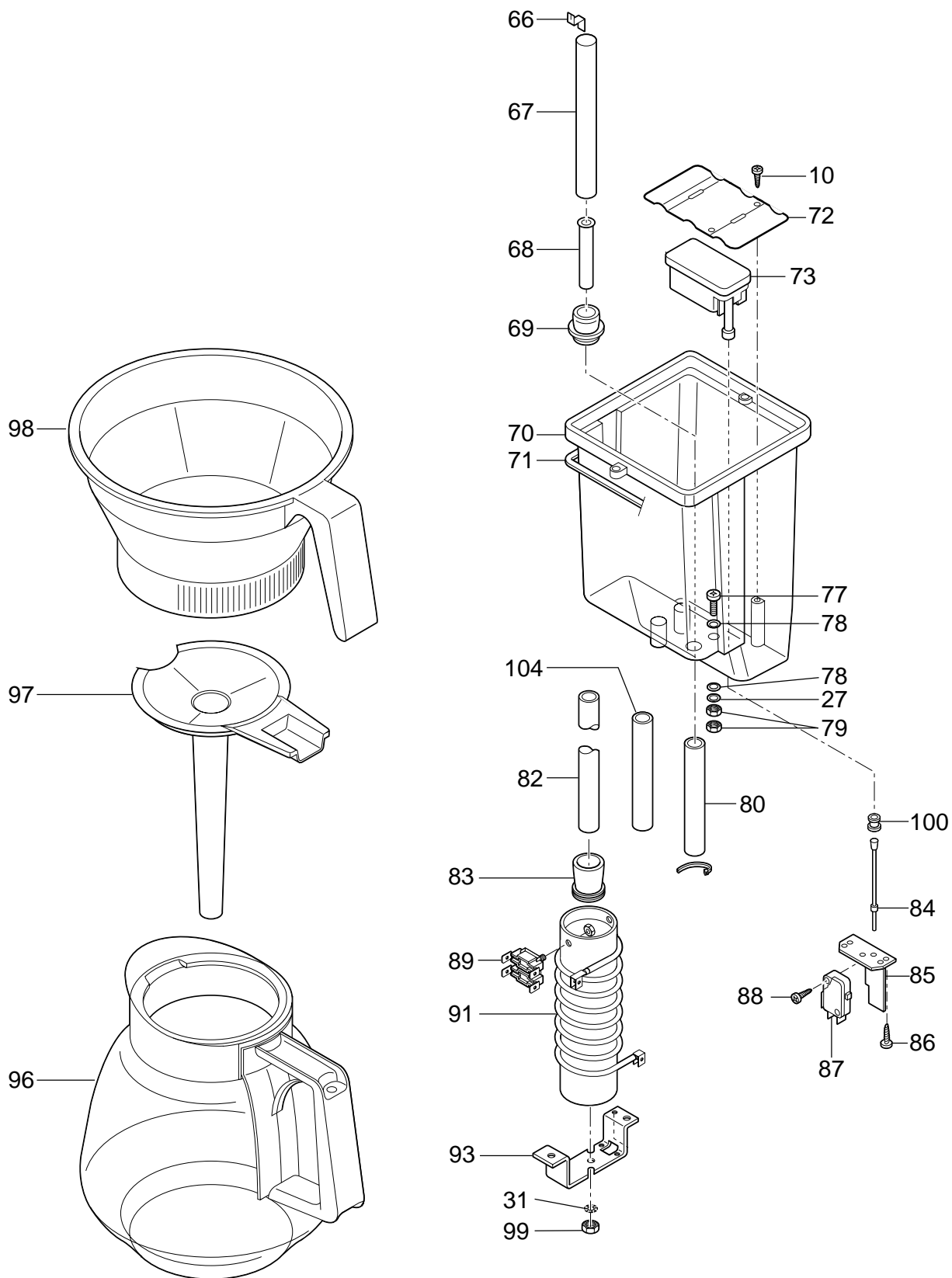
Item.	Description.	Code.
085	Fixingplate microswitch	54151
086	Screw 2,9x6,5	73050
087	Microswitch 16amp, float	43305
088	Screw M3x16	73000
089	Thermostat/thermofuse combination	46260
091	Boiling element 1310W/230V.....	45168
↳	Boiling element 1450W/230V.....	45213
↳	Boiling element 2200W/230V.....	45209
093	Element bracket complete	51489
095	Screw + washer + toothed washer.....	70081
096	Glass jug, black.....	30061
097	Lid jug, black	13396
098	Filterholder, black.....	13271
099	Nut M6x5.....	72035
101	Housing MF, cream.....	57100
↳	Housing MF, black	57105
↳	Housing MF, blue	57108
102	Housing MF, cream.....	57100
↳	Housing MF, black	57105
↳	Housing MF, blue.....	57108
109	Flex with plug, 3x1,5, black.....	44085
↳	Flex, 3x2,5, black	44185
↳	Flex, 5x1,5, with plug, black.....	44190
111	Flex go-through, black	11246
113	Screw 2,9x19	70065
114	Block terminal.....	46060
115	Rear panel, black	11188
116	Rubber feet	61150
117	Adhesive clip, 6mm.....	75040
118	Adhesive clip, 18mm.....	75020
119	Baseplate, cream	55426
↳	Baseplate, black.....	55427
↳	Baseplate, blue	55423
120	Sealingring, black.....	11396
121	Fixingplate.....	54010
124	Screw M4x10	71010
126	Earth terminal.....	54171
127	Bottom plate.....	11362
128	Main switch, black, illum.	43170
129	Front panel, silver-black.....	11165
↳	Front panel, cream-black	11199
-	Lamp, scale indicator	43600


MOCCAFOUR MANUAL – electrical diagram

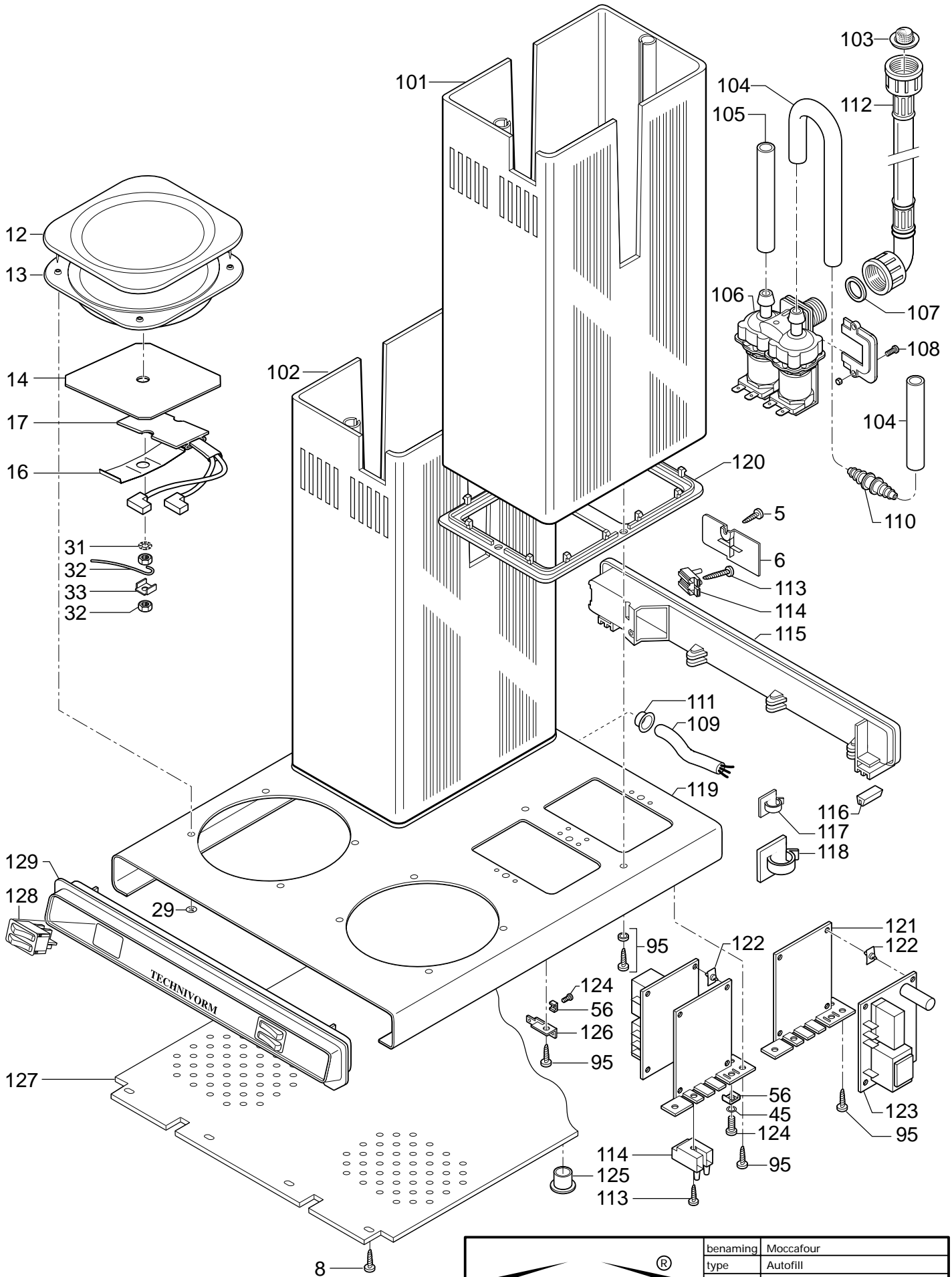





 <p>TECHNI VORM AMERONGEN - HOLLAND</p>	benaming	Moccafour	
	type	Autofill	
	datum	02-10-2002	
	getekend	Insight ill.	controle
	formaat	A4	bladnr. 1
	tek.nr.		



 <p>TECHNI VORM AMERONGEN - HOLLAND</p>	benaming	Moccafour
	type	Autofill
	datum	02-10-2002
	getekend	Insight ill. controle
	formaat	A4 bladnr. 2
	tek.nr.	



		benaming	Moccaffour
		type	Autofill
		datum	02-10-2002
		getekend	Insight ill. controle
		formaat	A4 bladnr. 3
		tek.nr.	
AMERONGEN-HOLLAND			



the coffemaker makers.

AMERONGEN - HOLLAND

SPARES LIST FOR MOCCAFOUR AUTOFILL

Item.	Description.	Code.
001	Lid coldwatercontainer, black.....	13061
002	Drainplug complete, black.....	11516
003	Parker 4,2x19, stainless steel.....	70010
004	Sealing washer.....	12020
005	Parker 3,5x13.....	70055
006	Cover, flex go-through, black.....	11247
007	Rear panel, black.....	11193
008	Parker 3,5x9,5.....	70050
009	Cover strip.....	54290
010	Notchscrew 2,9x6,5, stainless steel.....	73060
011	Hinge.....	54100
012	Hotplate, oven enamelled, black.....	52064
013	Hotplate support, black.....	11415
014	Aluminium disc hotplate.....	55410
015	Ptc hotplate element, HP-05.....	41265
016	Tightening spring hotplate element.....	56976
017	Ptc hotplate element, HP-05.....	41265
020	Upper base, cream.....	55451
↳	Upper base, black.....	55452
021	Bolt M3x6, stainless steel.....	71048
022	Sensor autofill system.....	56540
023	Tele case.....	78320
024	Insulating bush.....	62430
025	-.....	
026	U-shaped tab.....	46041
027	Toothed washer, M3.....	74015
028	Bolt M3x10.....	71128
029	Speednut.....	78250
030	Insert black.....	11141
031	Toothed washer, M6.....	74025
032	Nut M6x5.....	72035
033	Earth clip, M6.....	78151
034	Upper front handle left, black.....	17936
035	Upper front handle right, black.....	17926
036	Push button switch, autofill.....	43200
037	Bolt M4x8, stainless steel.....	71046
038	Capring grey.....	12333
039	Filterholder MF complete, silver.....	55876
040	-.....	
042	-.....	
043	Cover plate, black.....	55916
044	Nut, M4.....	72015
045	Toothed washer, M4.....	74010
046	-.....	
047	-.....	
048	Screw M4x12, stainless steel.....	71005
049	-.....	
050	Parker 4,2x16, stainless steel.....	70030
051	-.....	
052	-.....	
053	Bolt M4x20.....	71035
054	Toothed washer M4.....	74010
055	Nut M4.....	72020
056	Earth clip.....	54161
057	Connection nut.....	75010
058	-.....	11510



the coffemaker makers.

AMERONGEN - HOLLAND

SPARES LIST FOR MOCCAFOUR AUTOFILL

Item.	Description.	Code.
059	-	61175
060	Outletpipe	11502
062	Fastener 15mm, stainless steel	78255
063	Bended watertransportpipe, 253mm	56819
064	-	
065	-	
066	Spring overflowpipe	54455
067	Overflow tube	11550
068	Chromium connectiontube overflowpipe	51036
069	Rubber adapter	60010
070	Coldwater container	11051
071	Sealingring coldwatercontainer	60035
072	Floathood, stainless steel	54125
073	Float	12235
074	
075	
076	
077	Bolt M3x12, stainless steel	71100
078	Fiberring 3x5mm	63110
079	Nut M3, stainless steel	72026
080	Silicon overflowtube, 245mm	64045
081	-	
082	Rubber tube, 217mm	60092
083	Rubber Grommet	62105
084	Switch pawl	54155
085	Fixingplate microswitch	54151
086	Notchscrew 2,9x6,5	73050
087	Microswitch	43305
088	Selftapping screw M3x16	73000
089	Thermostat/thermofuse combination	46260
090	-	
091	Boiling element 1310W/230V	45168
↳	Boiling element 1450W/230V	45213
↳	Boiling element 2200W/230V	45209
092	
093	Element bracket complete	51459
094	-	
095	Screw + washer + toothed washer	70081
096	Glass jug, black	30061
097	Lid jug, black	13396
098	Filterholder, black	13271
099	Nut M6x5	72035
100	Tightening socket	12220
101	Housing MF, cream	57100
↳	Housing MF, black	57106
102	Housing MF, cream	57101
↳	Housing MF, black	57105
103	Strainer	62370
104	Rubber tube, 500mm	60085
105	Rubber tube, 85mm	60125
106	Inlet valve	88405
107	Rubber sealingring ¾	62360
108	Bolt M4x10	71030
109	Flex with plug, 3x1,5, black	44085
↳	Flex, 3x2,5, black	44185
↳	Flex, 5x1,5, black	44190



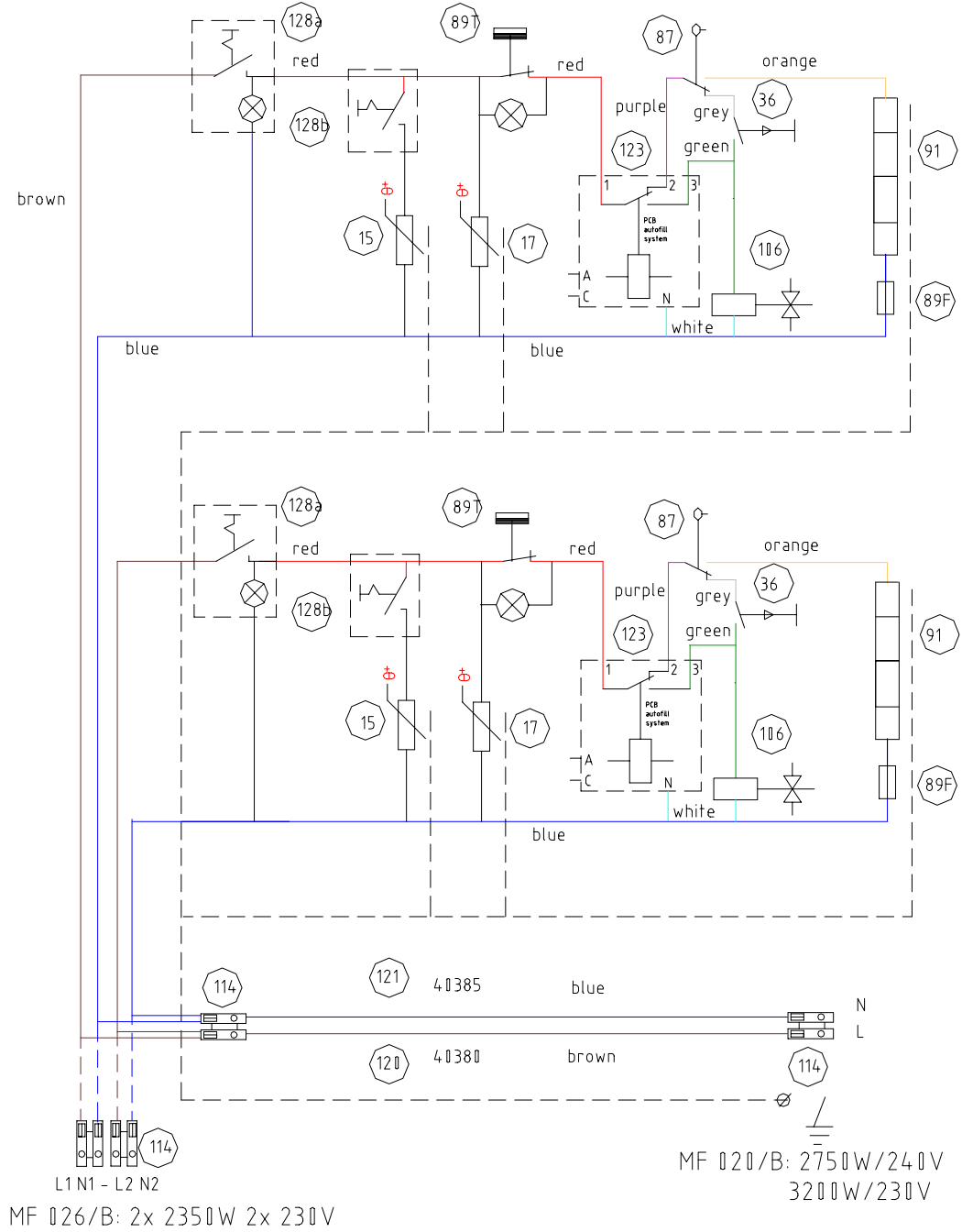
the coffeemaker makers.

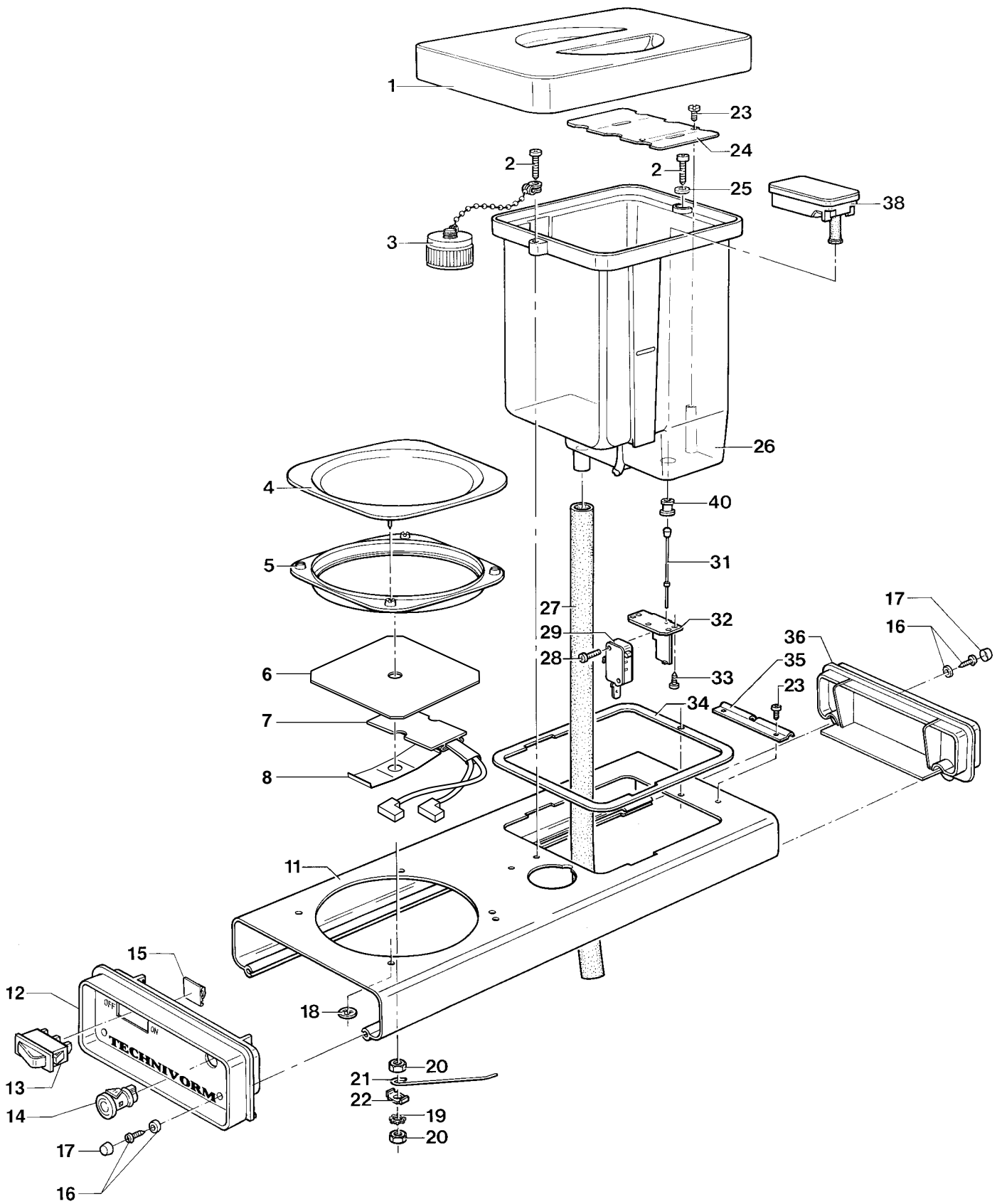
AMERONGEN - HOLLAND

SPARES LIST FOR MOCCAFOUR AUTOFILL

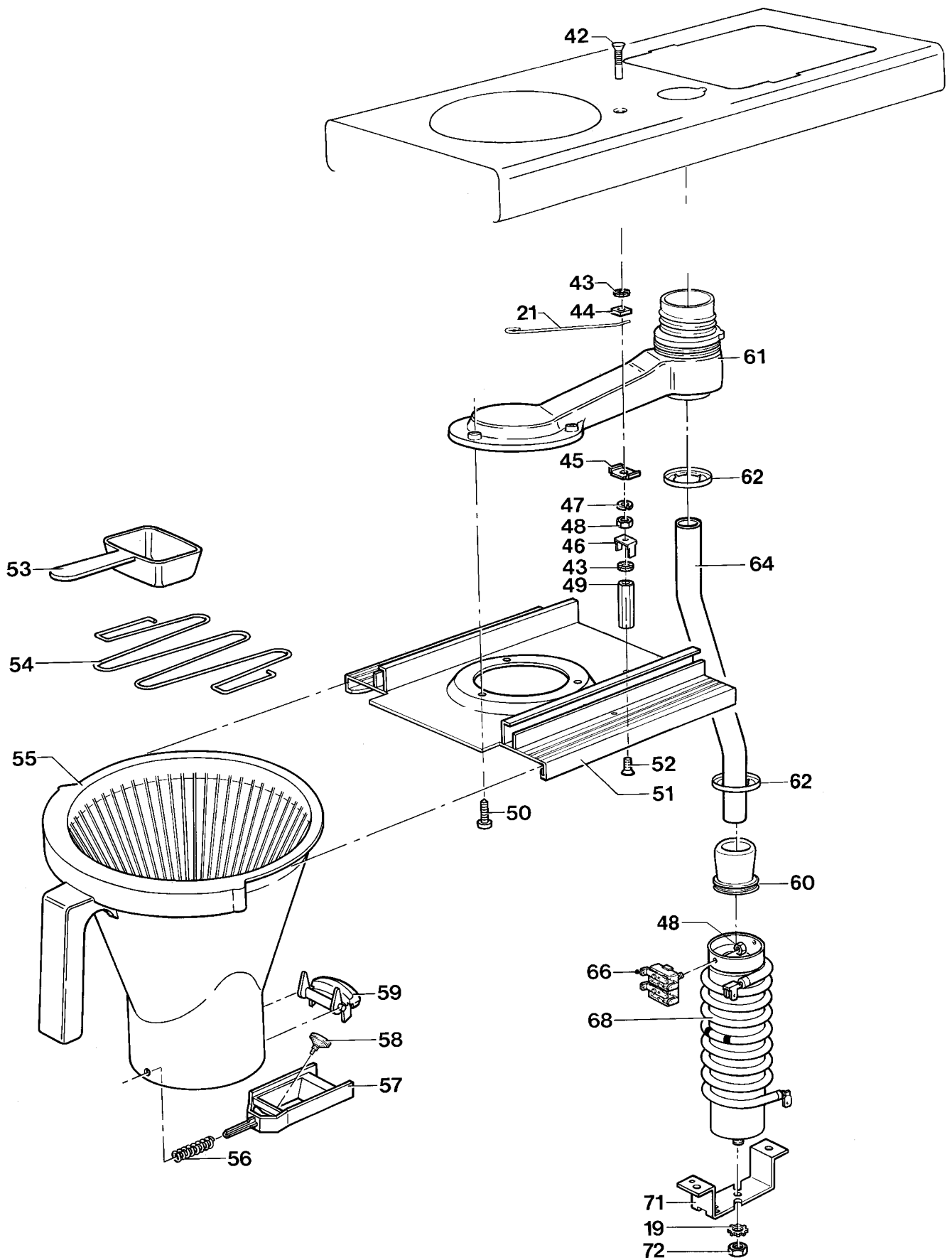
Item.	Description.	Code.
110	Tube connector	88495
111	Flex go-through, black	11246
112	PEX watertube 3/4"	62330
↳	PEX watertube 1/2", Denmark	62340
113	Parker 2,9x19.....	70065
114	Block terminal.....	46060
115	Rear panel, black	11188
116	Rubber feet	61150
117	Adhesive clip, 6mm	75040
118	Adhesive clip, 18mm	75020
119	Baseplate, black.....	55427
120	Sealingring, black.....	11396
121	Fixingplate, circuit board	54011
122	Printed circuit board support.....	48050
123	Printed circuit board, autofill system	48040
124	Bolt M4x10, taptite	71010
125	Copper tube	51030
126	Earth terminal.....	54171
127	Bottom plate.....	11363
128	Main switch, black, illum.	43170
129	Front panel black	11165
-	Lamp scale indicator	43600
	


MOCCAFOUR AUTOFILL – electrical diagram

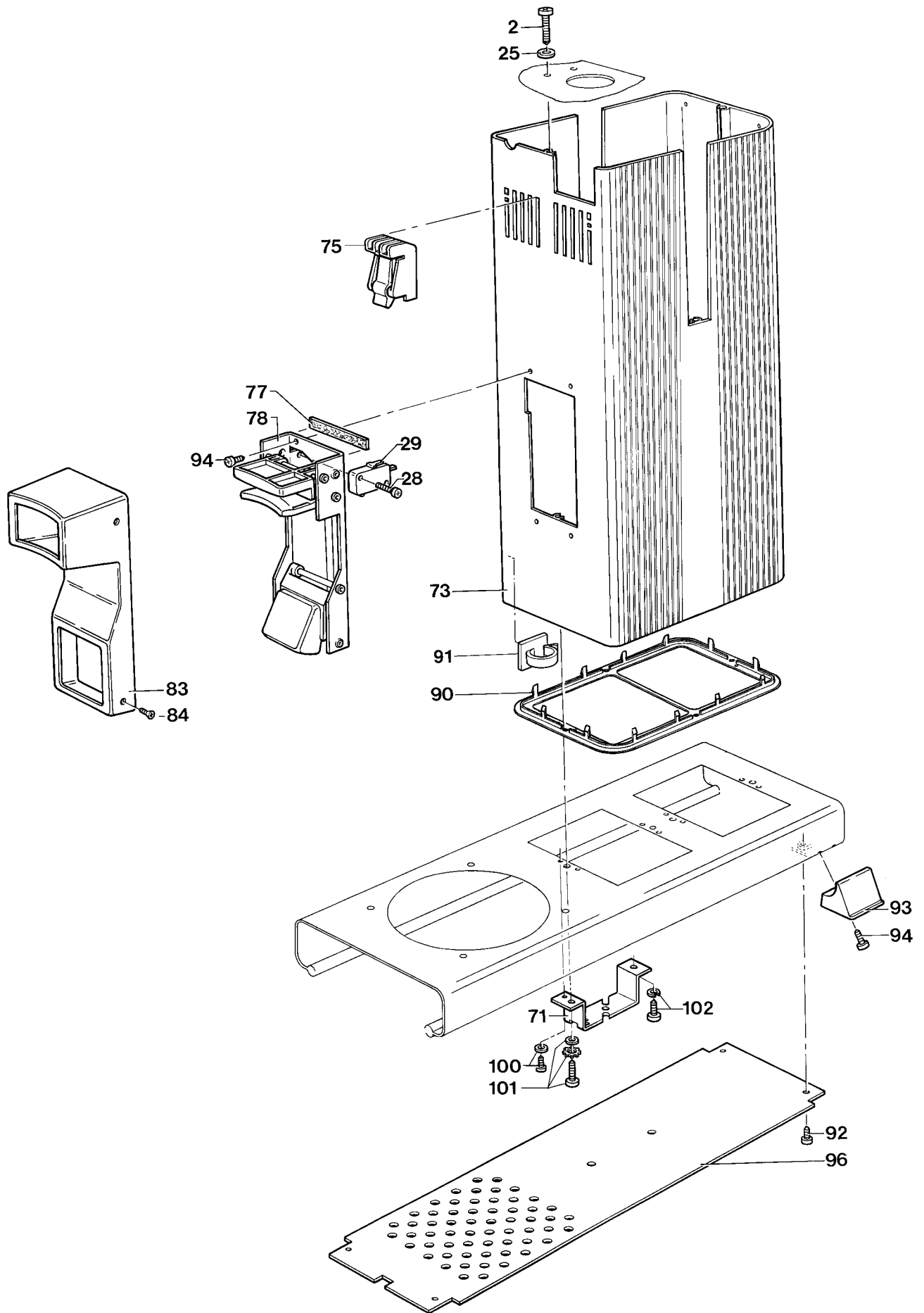





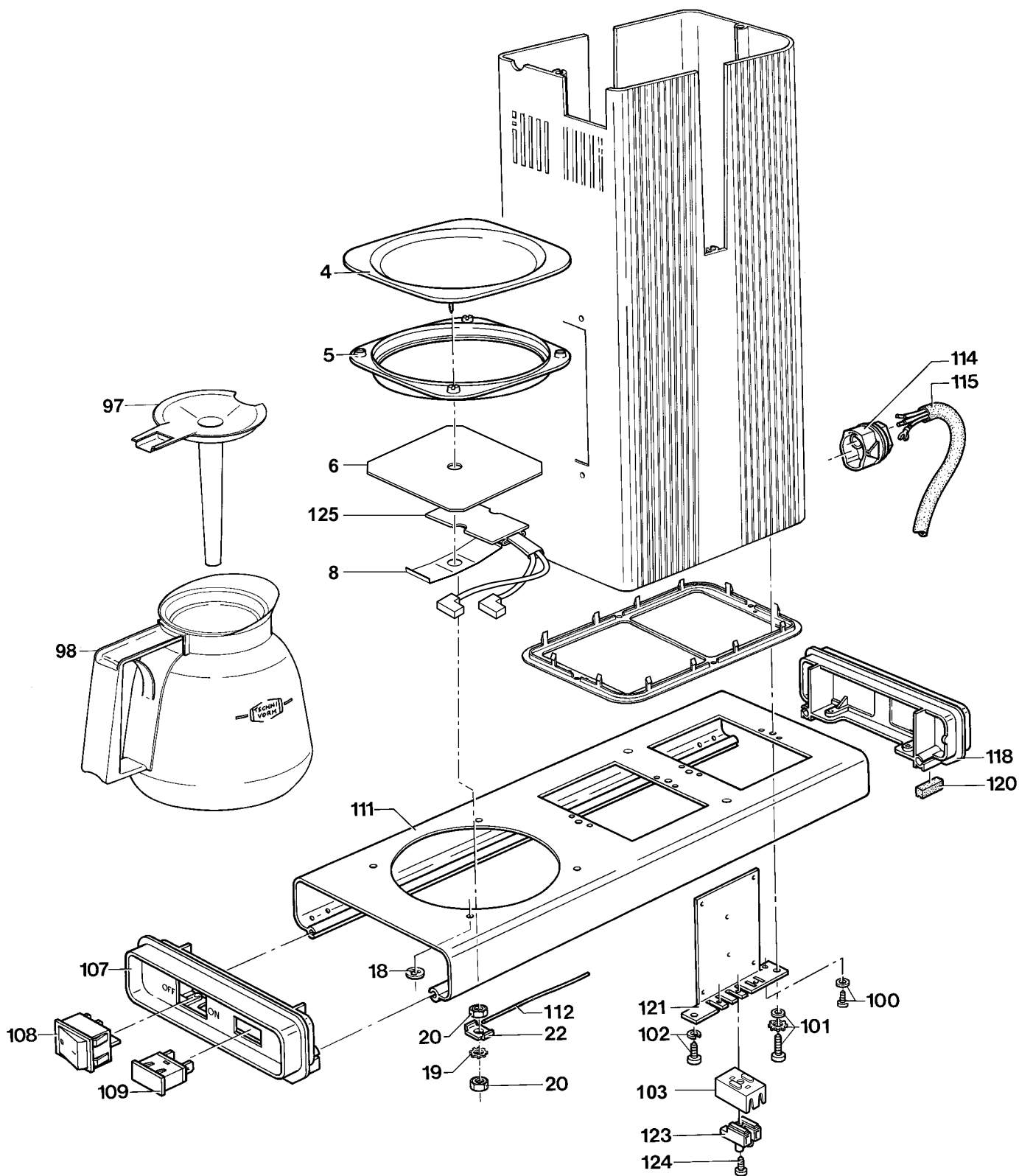
<p>AMERONGEN-HOLLAND</p>	benaming	Moccaking	
	type		
	datum	21 - 06 - 02	
	getekend	controle	
	formaat	A4	bladnr. 1
	tek.nr.	EV 0011 MK-1	




 TECHNI VORM AMERONGEN-HOLLAND	benaming	Moccaking	
	type	21 - 06 - 02	
	getekend		controle
	formaat	A4	bladnr. 2
	tek.nr.	EV 0011 MK-2	



 TECHNI VORM [®] AMERONGEN-HOLLAND	benaming	Moccaking	
	type		
	datum	21-06-02	
	getekend		controle
	formaat	A4	bladnr. 3
	tek.nr.	EV 0011 MK-3	



	benaming	Moccaking	
	type		
	datum	21-06-02	
	getekend		controle
	formaat	A4	bladnr. 4
	tek.nr.	EV 0011 MK-4	



the coffemaker makers.

AMERONGEN - HOLLAND

SPARES LIST FOR MOCCAING MANUAL

Item.	Description.	Code.
001	Lid coldwatercontainer, brown	13060
↳	Lid coldwatercontainer, black.....	13061
002	Screw 4,2x19, stainless steel.....	70010
003	Drainplug black	11516
004	Hotplate oven enamelled, brown	52062
↳	Hotplate oven enamelled, black.....	52064
005	Hotplate support, brown	11410
↳	Hotplate support, black	11415
006	Aluminium disc hotplate	55410
007	Ptc hotplate element, HP-05, MANUAL	41265
↳	Ptc hotplate element, HP-05, AUTOFILL.....	41266
008	Tightening spring hotplate element.....	56976
011	Upper base, cream	55061
↳	Upper base, black	55058
↳	Upper base, silver polished.....	55053
↳	Upper base, red	55057
↳	Upper base, blue.....	55059
012	Upper front handle, brown	17815
↳	Upper front handle, black.....	17853
↳	Upper front handle, black, France	11858
↳	Upper front handle, black, Restomat	17847
013	Switch illuminated, brown	43015
↳	Switch illuminated, black.....	43018
014	Green signal lamp	43650
015	Self adhesive cable clip, 3mm	75030
016	Screw 4,2x13 with capring	70140
017	Cap grey.....	12333
↳	Cap black	12332
018	Speednut.....	78250
019	Lock washer, M6	74025
020	Nut, M6x5.....	72035
021	Earth wire, 130mm.....	40525
022	Earth clip, M6	78151
023	Screw, 2,9x6,5, stainless steel.....	73060
024	Float hood	54125
025	Sealing washer.....	12020
026	Cold water container, with print.....	11054
↳	Cold water container, with print, Norway	11058
027	Rubber tube, 305mm	60090
028	Screw, M3x16	73000
029	Microswitch 16 amp, float	43335
031	Switch pawl	54155
032	Fixingplate microswitch.....	54151
033	Screw, 2,9x6,5	73050
034	Sealingring cold water container.....	60035
035	Hinge.....	54100
036	Upper rear handle, brown	11751
↳	Upper rear handle, black.....	11756
038	Float	12235
040	Tightening socket.....	12220
042	Screw, M4x20	71035
043	Lock washer, M4	74010
044	Nut, M4.....	72020
045	Tightening clip	54161
046	U-Shaped tab	46041
047	Lock washer, M4	74020
048	Nut, M4.....	72015



the coffemaker makers.

AMERONGEN - HOLLAND

SPARES LIST FOR MOCCAING MANUAL

Item.	Description.	Code.
049	Connection nut.....	75010
050	Screw, 4,2x16, stainless steel.....	70030
051	Filterholder, aluminium, silver.....	55870
↳	Filterholder, aluminium, black.....	55873
052	Screw, M4x12, stainless steel.....	71005
053	Measuring spoon.....	88100
↳	Measuring spoon, Norway.....	88105
↳	Measuring spoon, Sweden, France.....	88106
054	Filter trivet.....	56505
055	Filterholder brown.....	13200
↳	Filterholder black.....	13201
↳	Filterholder brown, incl.54, 56, 57, 58, 59.....	13205
↳	Filterholder black, incl. 54, 56, 57, 58, 59.....	13206
056	Spring boltlock.....	56510
057	Boltlock, brown.....	12005
↳	Boltlock, black.....	12125
058	Rubber closingpad.....	60070
059	Operation knob filterlock, brown.....	12004
↳	Operation knob filterlock, black.....	12124
060	Grommet.....	62105
061	Outletpipe.....	11502
062	Fastener, 15mm.....	78255
064	Bended watertransportpipe, 318mm.....	56881
↳	Bended watertransportpipe, 318mm, Norway.....	56882
066	Thermostat / thermofuse combination.....	46260
068	Boiling element, 2200W-230V.....	45208
↳	Boiling element, 2200W-240V.....	45202
071	Element bracket.....	51489
072	Nut, M6x5.....	72035
073	Housing, cream.....	57284
↳	Housing, black.....	57285
↳	Housing, silver polished.....	57307
↳	Housing, red.....	57281
↳	Housing, blue.....	57289
075	Catch frame unit, brown.....	12040
↳	Catch frame unit, black.....	12041
077	Rubber closing part.....	63350
078	Frame boltlock, brown.....	54051
↳	Frame boltlock, black.....	54052
083	Housing boltlock, brown.....	12010
↳	Housing boltlock, black.....	12129
084	Screw, 2,9x6,5.....	73050
090	Sealing ring, brown.....	11395
↳	Sealing ring, black.....	11396
091	Self adhesive cable clip, 18mm.....	75020
092	Plastite, screw, M3x8.....	71060
093	Feet, brown.....	11270
↳	Feet, black.....	11271
094	Screw 3,5x9,5.....	70050
096	Bottom plate.....	11341
097	Mixing lid, brown.....	13395
↳	Mixing lid, black.....	13396
098	Glass jug, brown.....	30060
↳	Glass jug, black.....	30061
100	Screw with lock washer.....	73031
101	Screw with lock washer.....	70081
102	Screw with lock washer.....	71070



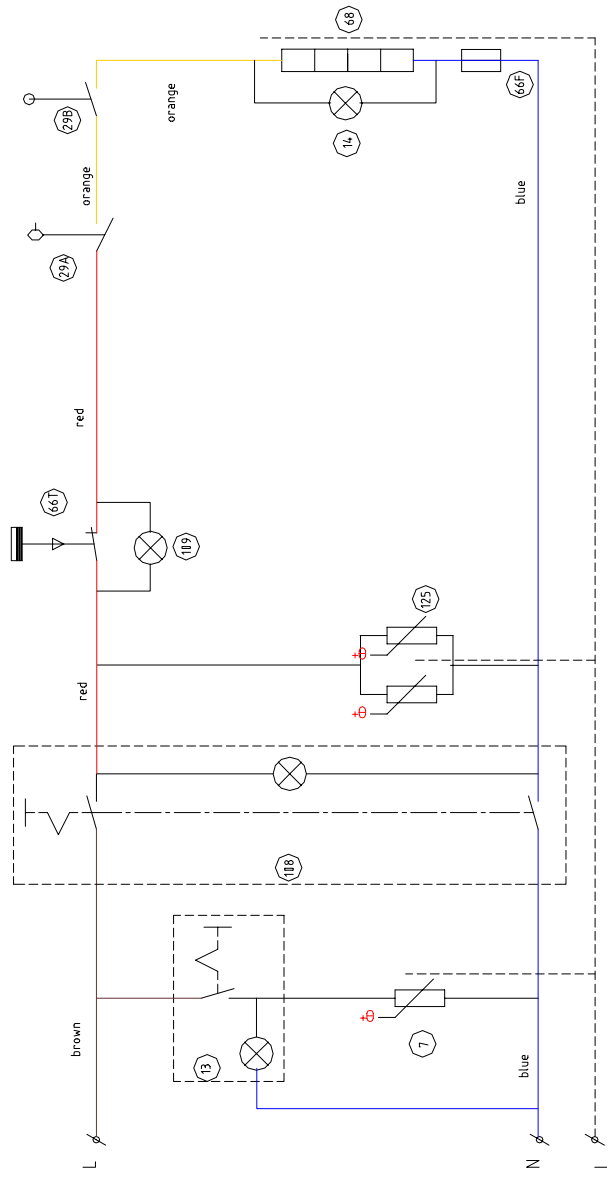
the coffeemaker makers.

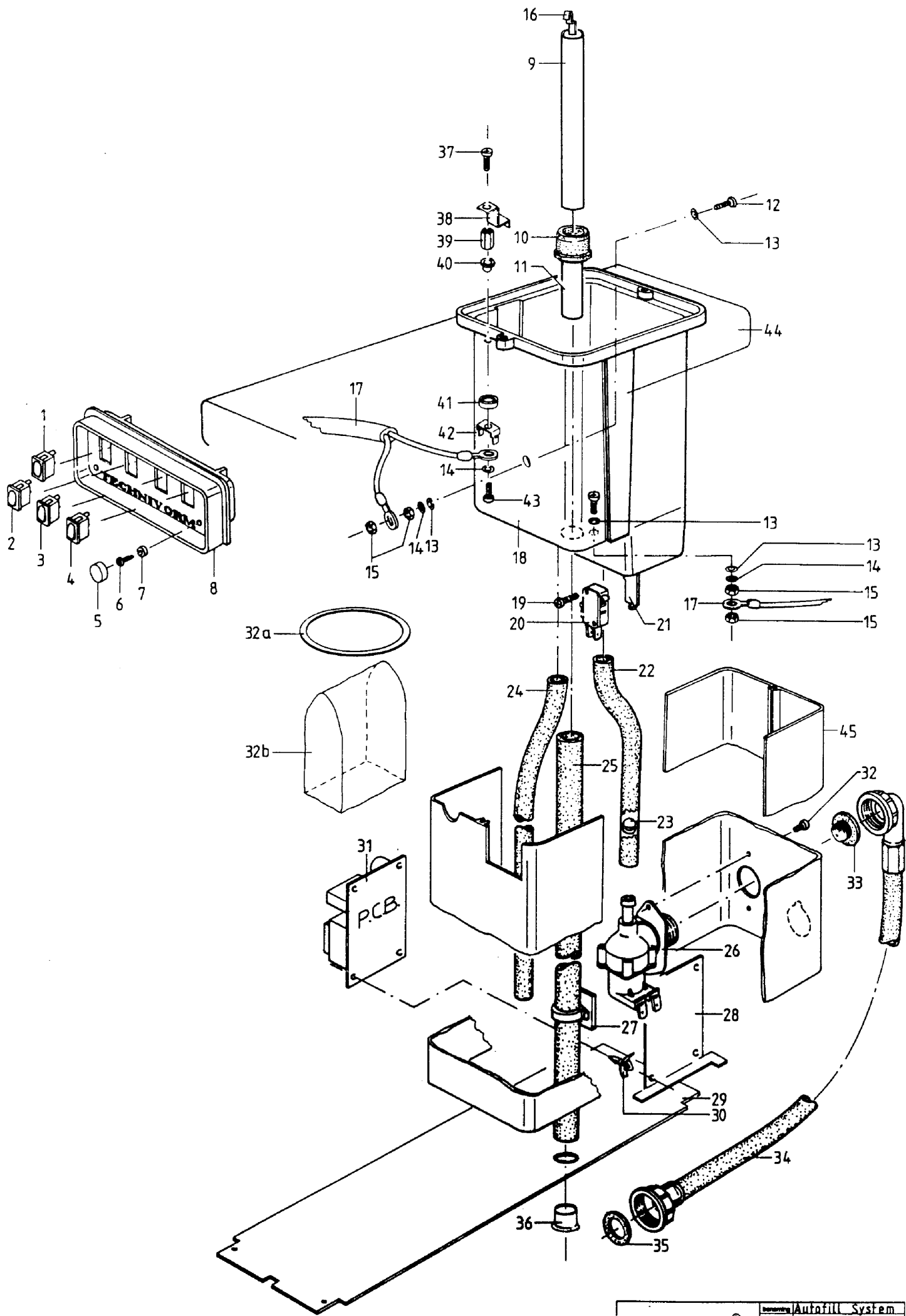
AMERONGEN - HOLLAND


SPARES LIST FOR MOCCAING MANUAL

Item.	Description.	Code.
103	Fixation block terminal	11240
107	Lower front handle, brown	11817
↳	Lower front handle, black	11863
↳	Lower front handle, black, France	11856
108	Illuminated main switch, brown	43032
↳	Illuminated main switch, black	43151
109	Scale indicator lamp.....	43600
111	Base plate, cream	55010
↳	Base plate, black.....	55008
↳	Base plate, silver polished	55003
↳	Base plate, red	55007
↳	Base plate, blue	55009
112	Earth wire, 170mm.....	40500
114	Cord anchorage	11262
115	Flex with plug, 3x1,5 rubber.....	44080
↳	Flex with plug, 3x1,5 black.....	44085
↳	Flex with plug, 3x1,3 black, England	44064
↳	Flex with plug, 3x1,5 Australia	44083
118	Lower rear handle with feet, brown.....	11700
↳	Lower rear handle with feet, black	11715
120	Rubber feet	61150
121	Fixation plate, block terminal	54010
123	Block terminal.....	46060
123	Block terminal, UL.....	46075
124	Screw, 2,9x19	70065
125	Ptc hotplate element, HP-07.....	41260

MOCCAING manual – electrical diagram





 AMERONGEN-HOLLAND	Benaming	Autofill System
	Type	
	datum	18-08-98
	ontworpen	ivB
	getoet	control
	tek. nr.	EV 9818 AF-1
rev	A	



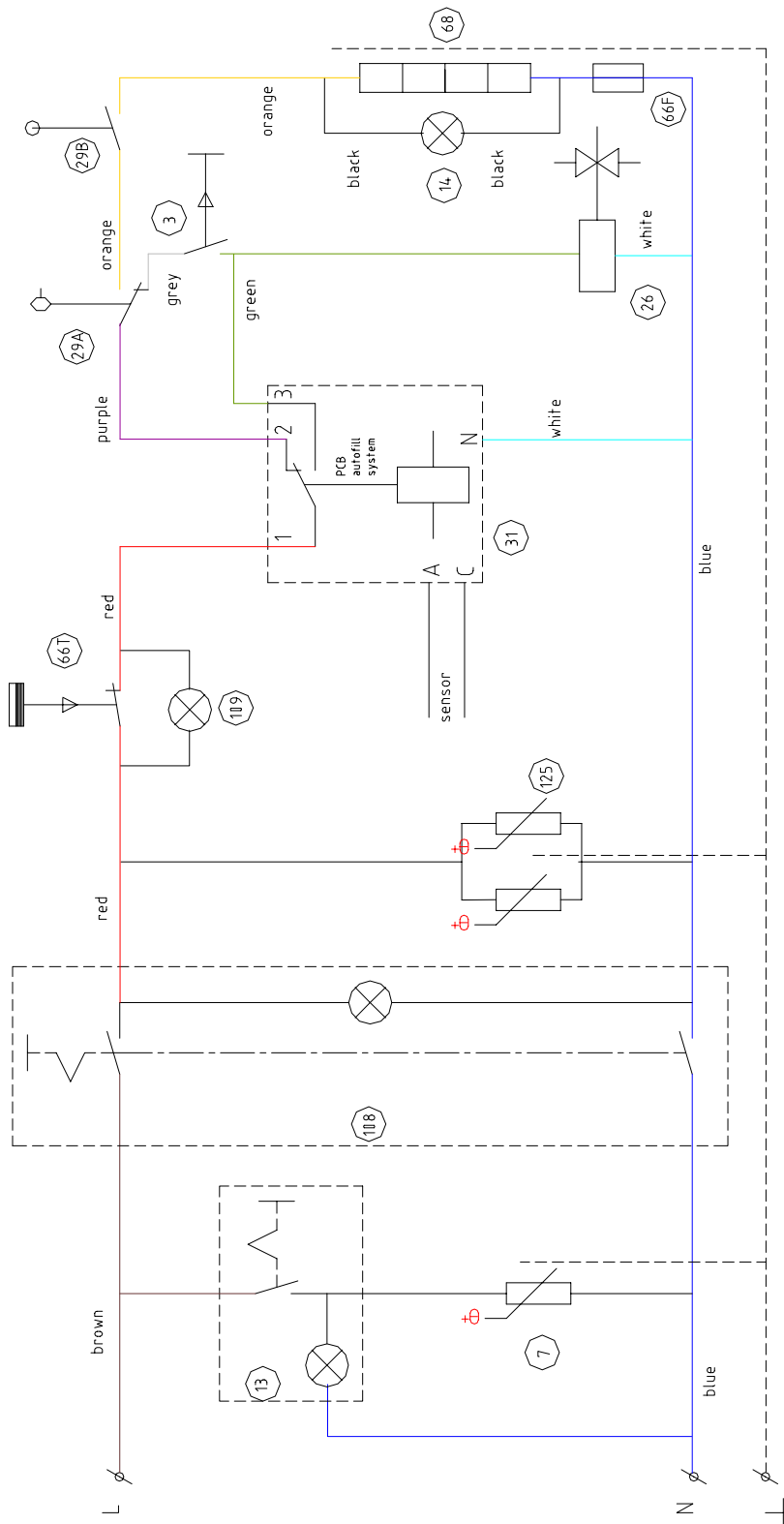
the coffemaker makers.

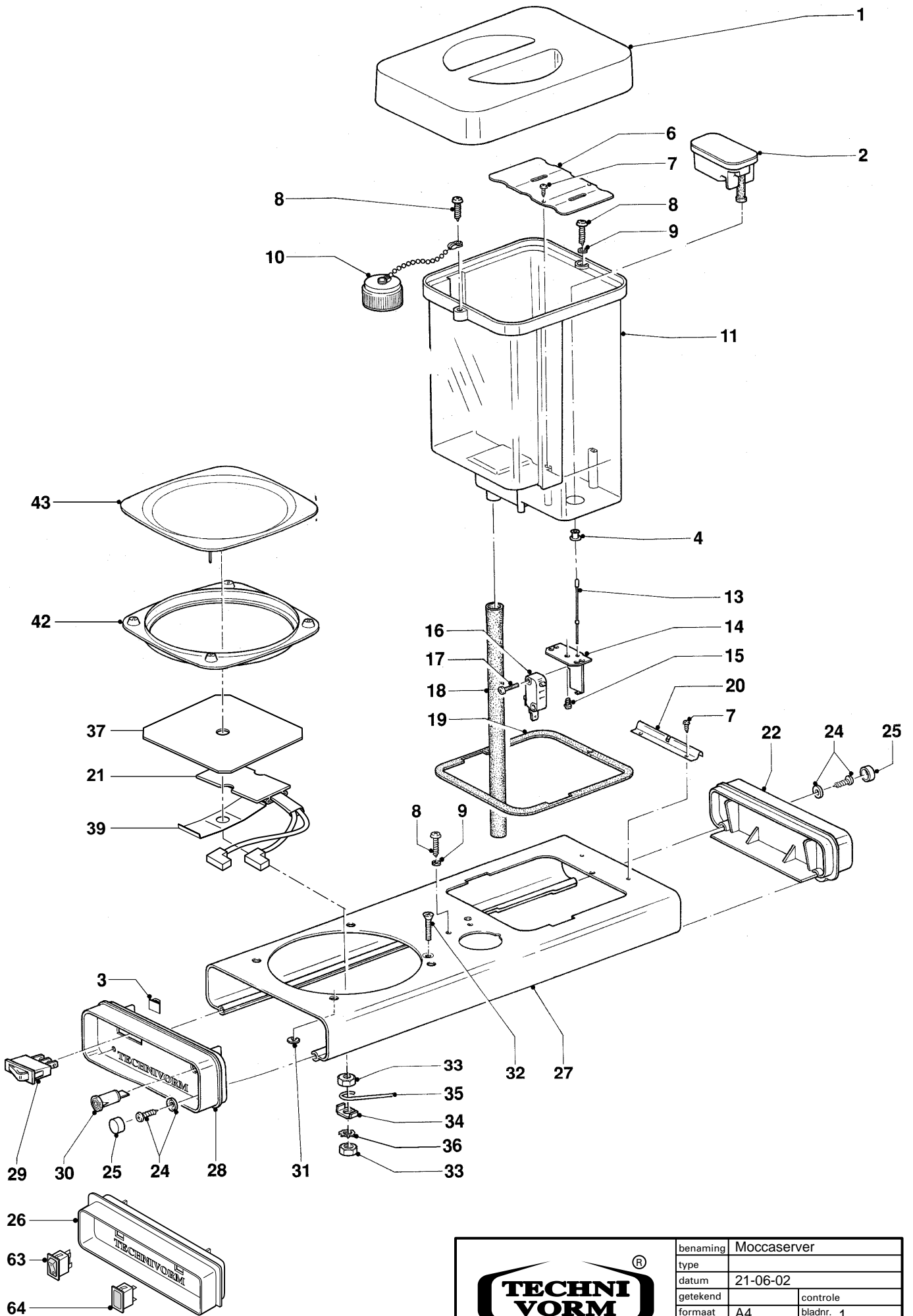
AMERONGEN - HOLLAND


SPARES LIST FOR MOCCAKING AUTOFILL

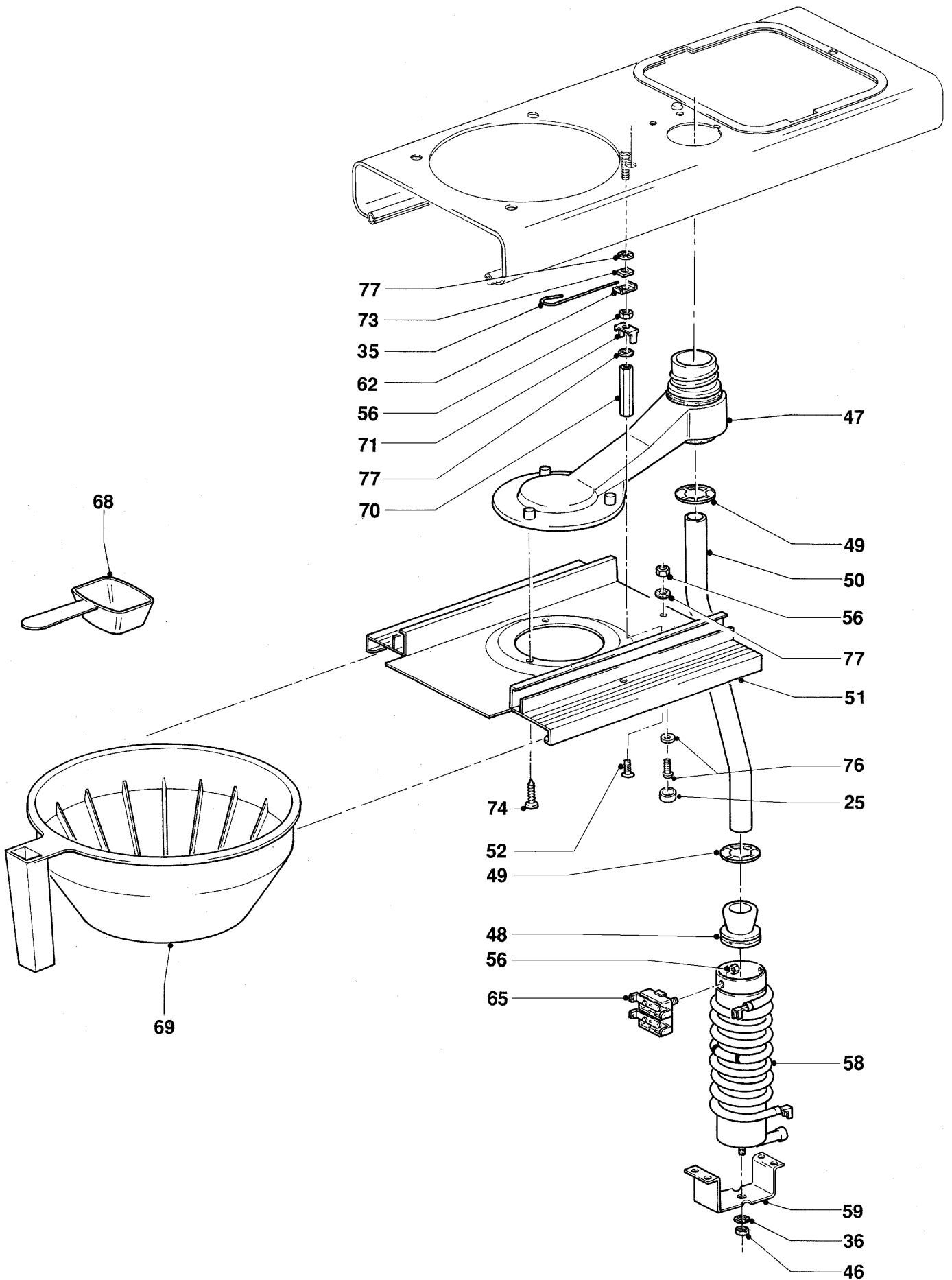
Item.	Description.	Code.
001	Signal lamp green	43657
002	Illuminated on/off switch.....	43014
003	Press button switch	43200
004	Selection switch	43210
005	Capring.....	12333
006	Self tapping screw, 4,2x13	70040
007	Capring.....	12333
008	Upper front handle MK black	17886
009	Overflow tube	11550
010	Rubber adapter	60010
011	Overflow connection tube	51036
012	Bolt, M3x12, stainless steel	71100
013	Fiber sealingring, 3mm	63110
014	Toothed washer, 3mm	74015
015	Nut M3, stainless steel.....	72026
016	Clamp overflow tube	54455
017	Internal wiring Moccaking	42403
↳	Wiring sensor Moccaking.....	40462
018	Coldwater container, MK autofill	11052
019	Screw M3x16	73000
020	Microswitch	43305
021	Fixationplate microswitch.....	54151
022	Connection tube, Moccaking, 145mm	64020
023	Flowback stop	88510
024	Rubber tube, Moccaking, 305mm.....	60090
025	Overflow tube, Moccaking, 300mm	64100
026	Inlet valve	88500
027	Adhesive clip.....	75020
028	Fixingplate.....	54011
029	Bottomplate	11343
030	Printed circuit board support.....	48050
031	Printed circuit board	48040
032a	Rubber ring	63290
032b	Protection foil	88250
032	Bolt, M4x10	71030
033	Strainer.....	62370
034	PEX watertube 3/4"	62330
↳	PEX watertube 1/2", Denmark	62340
035	Sealing watertube 3/4"	62360
036	Fixation overflow tube	51030
037	Bolt, M3x6, stainless steel	71048
038	Sensor	56540
039	Connection nut.....	78320
040	Isolation part.....	62430
041	Sealing washer.....	12020
042	U shaped tab.....	46041
043	Bolt, M3x10	71128
044	Upper baseplate	-
045	Housing, cream, autofill	57304
↳	Housing, black, autofill	57305
↳	Housing, silver polished, autofill.....	57308
↳	Housing, red, autofill	57301


MOCCAING AUTOFILL – electrical diagram

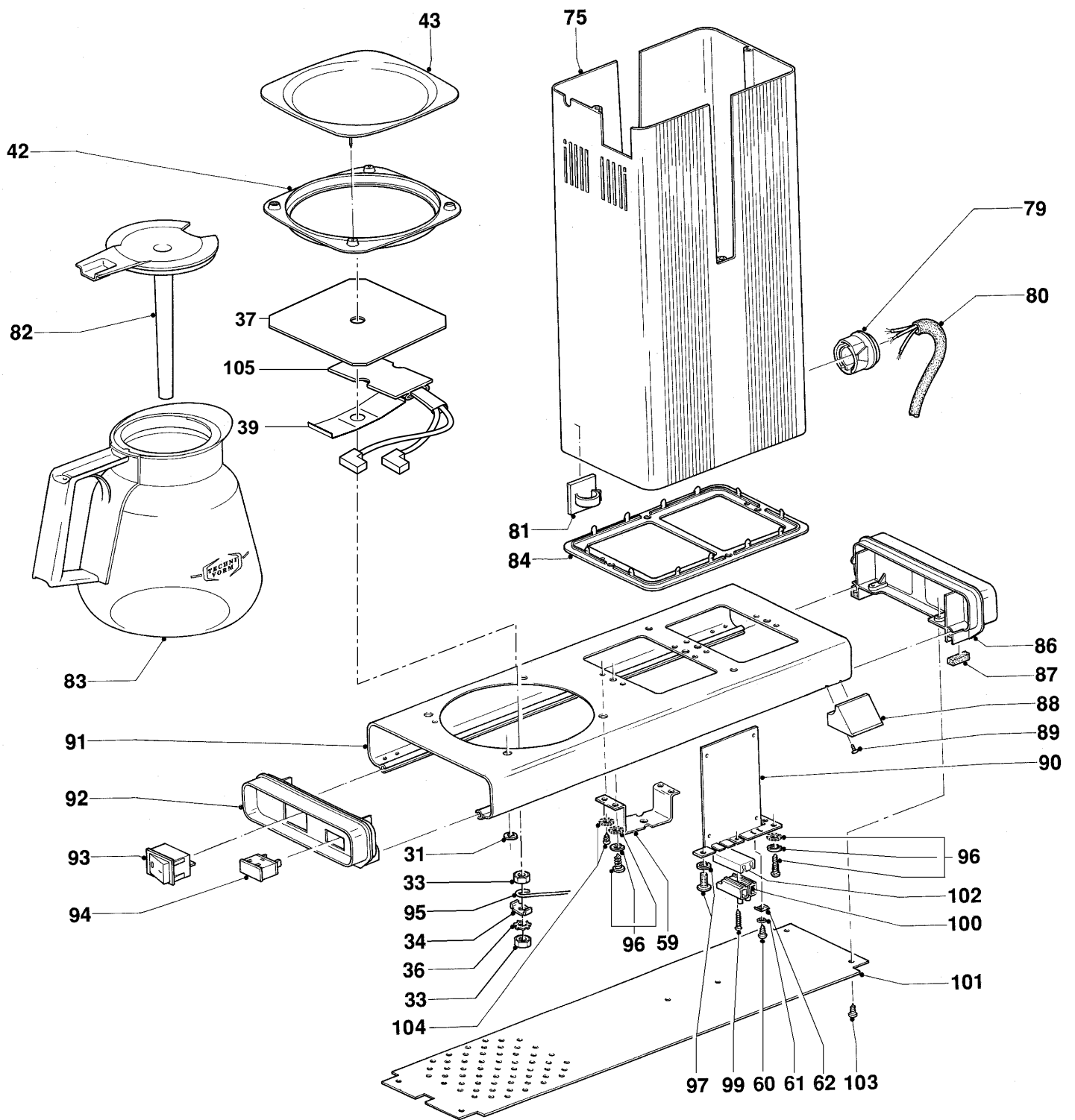





 TECHNI VORM AMERONGEN-HOLLAND	benaming	Moccaserver	
	type		
	datum	21-06-02	
	getekend	controle	
	formaat	A4	bladnr. 1
	tek.nr.	EV 0011 MS-1	



 TECHNI VORM AMERONGEN-HOLLAND	benaming	Moccaserver	
	type		
	datum	21-06-02	
	getekend		controle
	formaat	A4	bladnr. 2
tek.nr.	EV 0011 MS-2		



 TECHNI VORM AMERONGEN-HOLLAND	benaming	Moccaserver	
	type		
	datum	21-06-02	
	getekend		controle
	formaat	A4	bladnr. 3
	tek.nr.	EV 0011 MS-3	



the coffeemaker makers.

AMERONGEN - HOLLAND

SPARES LIST FOR MOCCASERVER MANUAL

Item.	Description.	Code.
001	Lid coldwatercontainer, brown	13060
↳	Lid coldwatercontainer, black.....	13061
002	Float	12235
003	Self adhesive cable clip, 3mm	75030
004	Tightening socket.....	12220
006	Float hood	54125
007	Screw, 2,9x6,5, stainless steel.....	73060
008	Screw 4,2x19, stainless steel.....	70010
009	Sealing washer.....	12020
010	Drainplug black	11516
011	Cold water container	11050
↳	Cold water container, Norway.....	11055
013	Switch pawl.....	54155
014	Fixingplate microswitch.....	54151
015	Screw, 2,9x6,5	73050
016	Microswitch 16 amp, float	43335
017	Screw, M3x16	73000
018	Rubber tube, 225mm	60098
019	Sealingring cold water container.....	60035
020	Hinge.....	54100
021	Ptc hotplate element, HP-05, MANUAL.....	41265
↳	Ptc hotplate element, HP-05, AUTOFILL.....	41266
022	Upper rear handle, brown	11751
↳	Upper rear handle, black.....	11756
024	Screw 4,2x13 with capring	70140
025	Cap grey.....	12333
↳	Cap black	12332
026	Upper front handle, black, "Ashbeys"	11885
↳	Upper front handle, brown, "Pals"	17803
027	Upper base, cream	55061
↳	Upper base, black	55058
↳	Upper base, silver polished.....	55053
↳	Upper base, gold polished	55054
↳	Upper base, red	55057
↳	Upper base, blue.....	55059
028	Upper front handle, brown	17815
↳	Upper front handle, black.....	17853
↳	Upper front handle, black, France	11858
↳	Upper front handle, black, Restomat	17847
029	Switch illuminated, brown	43015
↳	Switch illuminated, black.....	43018
↳	Switch illuminated, black, 10 amp.(GB).....	43048
030	Green signal lamp.....	43650
031	Speednut.....	78250
032	Screw, M4x20	71035
033	Nut, M6x3.....	72005
034	Earth clip, M6	78151
035	Earth wire, 130mm.....	40525
036	Lock washer, M6	74025
037	Aluminium disc hotplate	55410
039	Tightening spring hotplate element.....	56976
042	Hotplate support, brown.....	11410
↳	Hotplate support, black	11415
043	Hotplate oven enamelled, brown	52062
↳	Hotplate oven enamelled, black.....	52064
046	Nut, M6x5.....	72035
047	Outletpipe.....	11502



the coffeemaker makers.

AMERONGEN - HOLLAND

SPARES LIST FOR MOCCASERVER MANUAL

Item.	Description.	Code.
048	Grommet	62105
049	Fastener, 15mm	78255
050	Bended watertransportpipe, 268mm.....	56869
↳	Bended watertransportpipe, 268mm, Norway	56870
051	Filterholder, aluminium, silver	55897
↳	Filterholder, aluminium, black	55872
052	Screw, M4x12, stainless steel.....	71005
056	Nut, M4.....	72015
058	Boiling element, 2200W-230V.	45208
↳	Boiling element, 2200W-240V.	45202
059	Element bracket	51489
060	Screw, M4x10	71010
061	Lock washer, M4	74020
062	Tightening clip.....	54161
063	Switch illuminated, black.....	43014
064	Green signallamp	43657
065	Thermostat / thermofuse combination	46260
068	Measuring spoon	88100
↳	Measuring spoon, Norway	88105
↳	Measuring spoon, Sweden, France	88106
069	Filterholder brown	13270
↳	Filterholder black.....	13271
070	Connection nut.....	75010
071	U-Shaped tab.....	46041
073	Nut, M4.....	72020
074	Screw, 4,2x16, stainless steel.....	70030
075	Housing, cream	57189
↳	Housing, black.....	57188
↳	Housing, silver polished	57178
↳	Housing, blue	57186
076	Screw M4 with capring.....	71145
077	Lock washer, M4	74010
079	Cord anchorage	11262
080	Flex with plug, 3x1,5 rubber.....	44080
↳	Flex with plug, 3x1,5 black.....	44085
↳	Flex with plug, 3x1,3 black, England	44064
↳	Flex with plug, 3x1,5 Australia	44083
081	Self adhesive cable clip, 18mm	75020
082	Mixing lid, brown	13395
↳	Mixing lid, black.....	13396
083	Glass jug, brown	30060
↳	Glass jug, black.....	30061
084	Sealing ring, brown	11395
↳	Sealing ring, black.....	11396
086	Lower rear handle with feet, brown.....	11700
↳	Lower rear handle with feet, black	11715
087	Rubber feet	61150
088	Feet, brown	11270
↳	Feet, black.....	11271
089	Screw 3,5x9,5	70050
090	Fixation plate, block terminal	54010
091	Base plate, cream	55010
↳	Base plate, black.....	55008
↳	Base plate, silver polished	55003
↳	Base plate, blue	55009
092	Lower front handle, brown	11817
↳	Lower front handle, black.....	11863



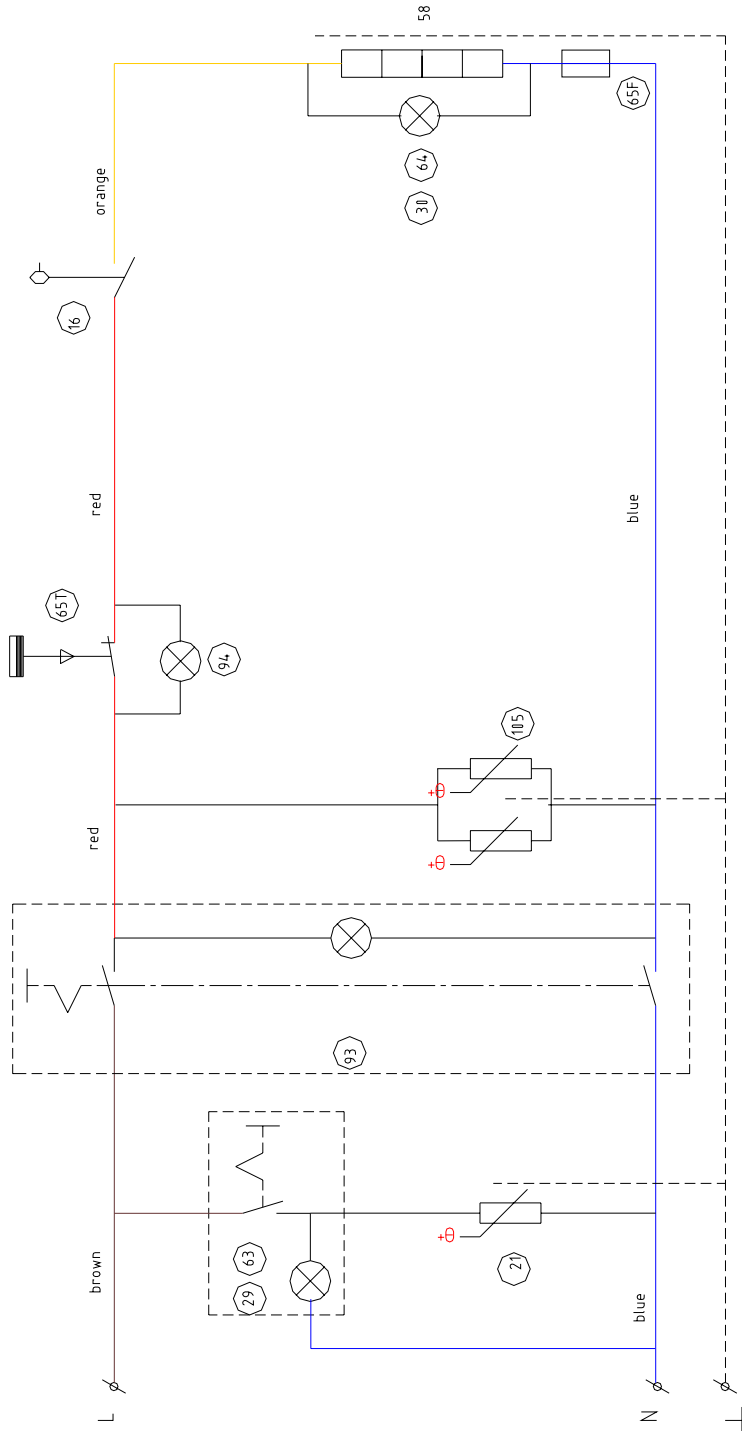
the coffeemaker makers.

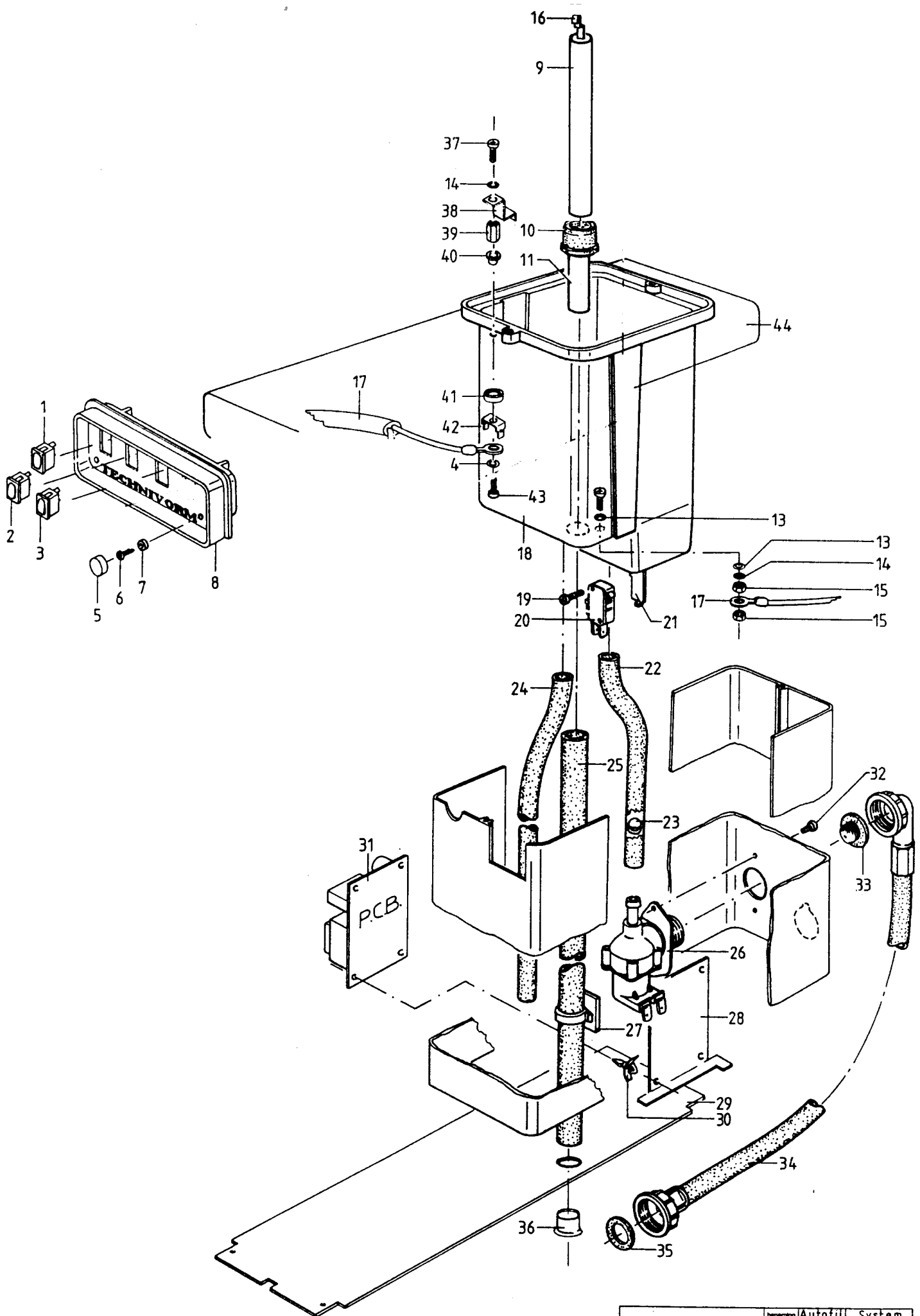
AMERONGEN - HOLLAND

SPARES LIST FOR MOCCASERVER MANUAL

Item.	Description.	Code.
↳	Lower front handle, black, France	11856
093	Illuminated main switch, brown	43032
↳	Illuminated main switch, black	43151
094	Scale indicator lamp.....	43600
095	Earth wire, 170mm.....	40500
096	Screw with lock washer.....	70081
097	Screw with lock washer.....	71070
099	Screw, 2,9x19	70065
100	Block terminal.....	46060
↳	Block terminal,UL	46075
101	Bottom plate	11341
102	Fixation block terminal	11240
103	Plastite screw, M3x8	71060
104	Screw with lock washer.....	73031
105	Ptc hotplate element, HP-05.....	41265
	Ptc hotplate element, HP-07 (England 2007)	41260

MOCCASERVER manual – electrical diagram





TECHNI VORM AMERONGEN-HOLLAND		benaming	Autofil System
type		datum	18-08-98
ontwerper	HvB	controle	
normaat	A3	bladnr.	1
tek. nr.	EY 9818 AF-1	rev.	A



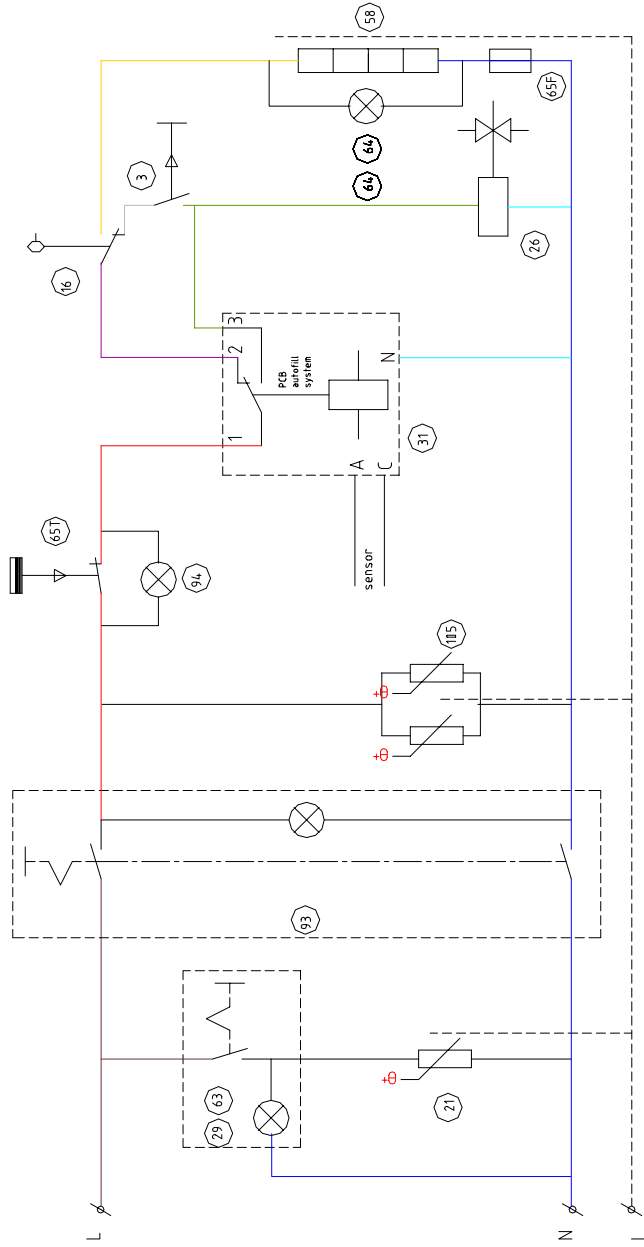
the coffemaker makers.

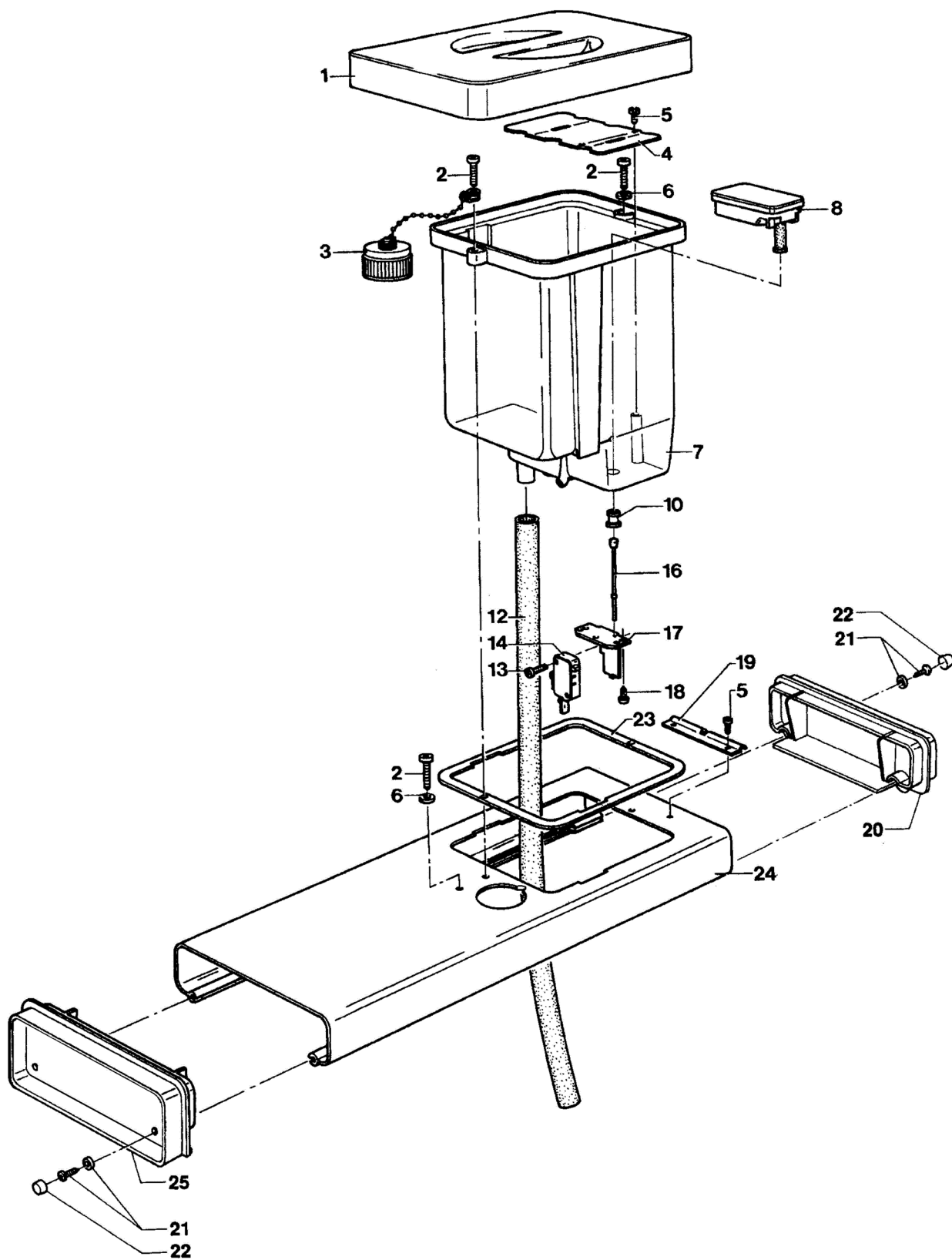
AMERONGEN - HOLLAND

SPARES LIST FOR MOCCASERVER AUTOFILL

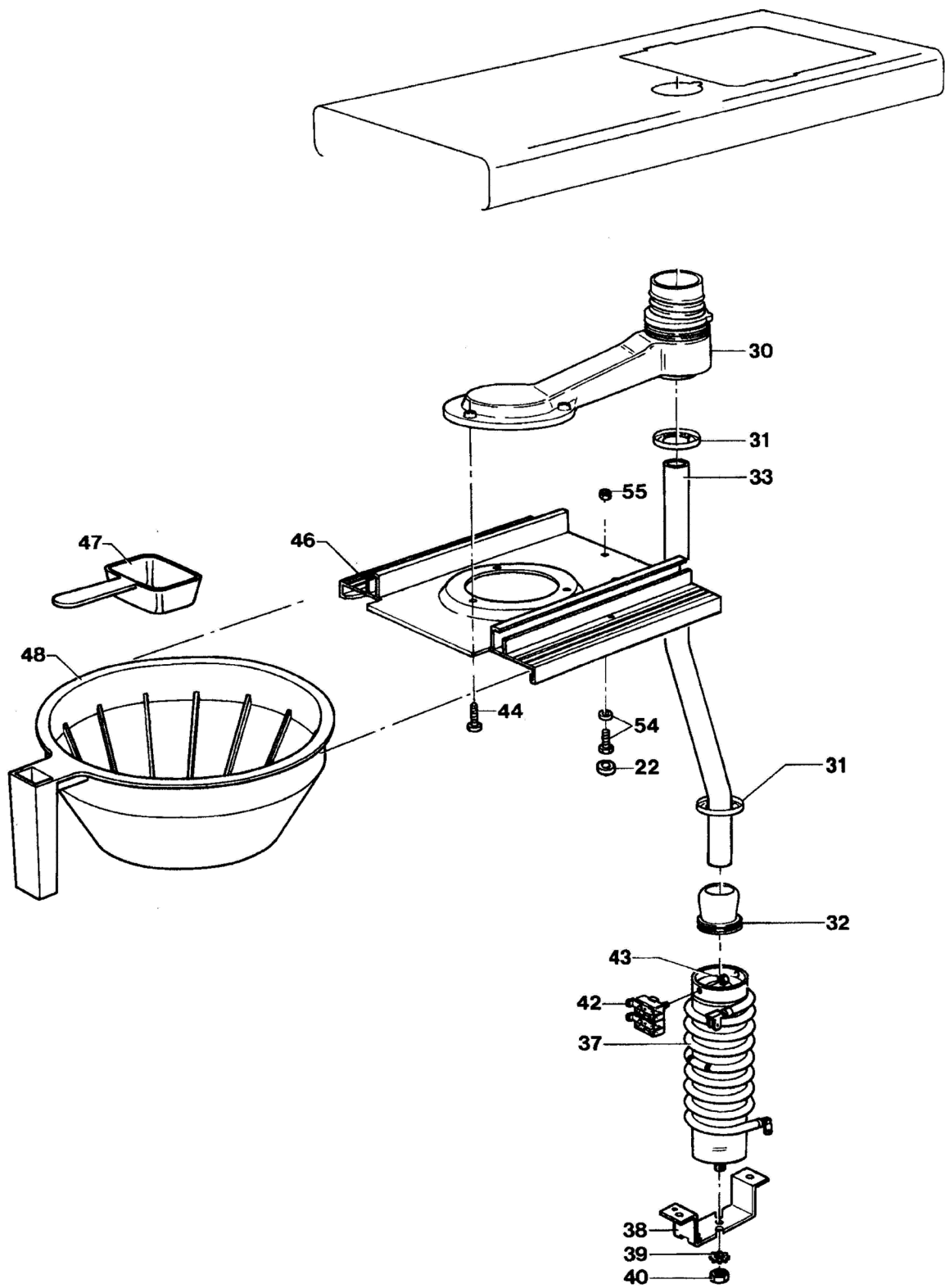
Item.	Description.	Code.
001	Signal lamp green.....	43657
002	Illuminated on/off switch.....	43014
003	Press button switch.....	43200
004	
005	Capring.....	12333
006	Self tapping screw, 4,2x13.....	70040
007	Capring.....	12333
008	Upper front handle MK black.....	17886
009	Overflow tube.....	11550
010	Rubber adapter.....	60010
011	Overflow connection tube.....	51036
012	Bolt, M3x12, stainless steel.....	71100
013	Fiber sealingring, 3mm.....	63110
014	Toothed washer, 3mm.....	74015
015	Nut M3, stainless steel.....	72026
016	Clamp overflow tube.....	54455
017	Internal wiring Moccaserver.....	42415
↳	Wiring sensor Moccaserver.....	40460
018	Coldwater container, autofill.....	11052
019	Screw M3x16.....	73000
020	Microswitch.....	43305
021	Fixationplate microswitch.....	54151
022	Connection tube, Moccaserver, 100mm.....	64015
023	Flowback stop.....	88510
024	Rubber tube, Moccaserver, 225mm.....	60098
025	Overflow tube, Mocca, mm.....	64040
026	Inlet valve.....	88500
027	Adhesive clip.....	75020
028	Fixingplate.....	54011
029	Bottomplate.....	11343
030	Printed circuit board support.....	48050
031	Printed circuit board.....	48040
032a	Rubber ring.....	63290
032b	Protection foil.....	88250
032	Bolt, M4x10.....	71030
033	Strainer.....	62370
034	PEX watertube 3/4".....	62330
035	Sealing watertube 3/4".....	62360
036	Fixation overflow tube.....	51030
037	Bolt, M3x6, stainless steel.....	71048
038	Sensor.....	56540
039	Connection nut.....	78320
040	Isolation part.....	62430
041	Sealing washer.....	12020
042	U shaped tab.....	46041
043	Bolt, M3x10.....	71128
044	Upper baseplate.....	
045	Housing, cream.....	57199
↳	Housing, black.....	57198
↳	Housing, silver polished.....	57196
↳	Housing, blue.....	57200


MOCCASERVER AUTOFILL – electrical diagram

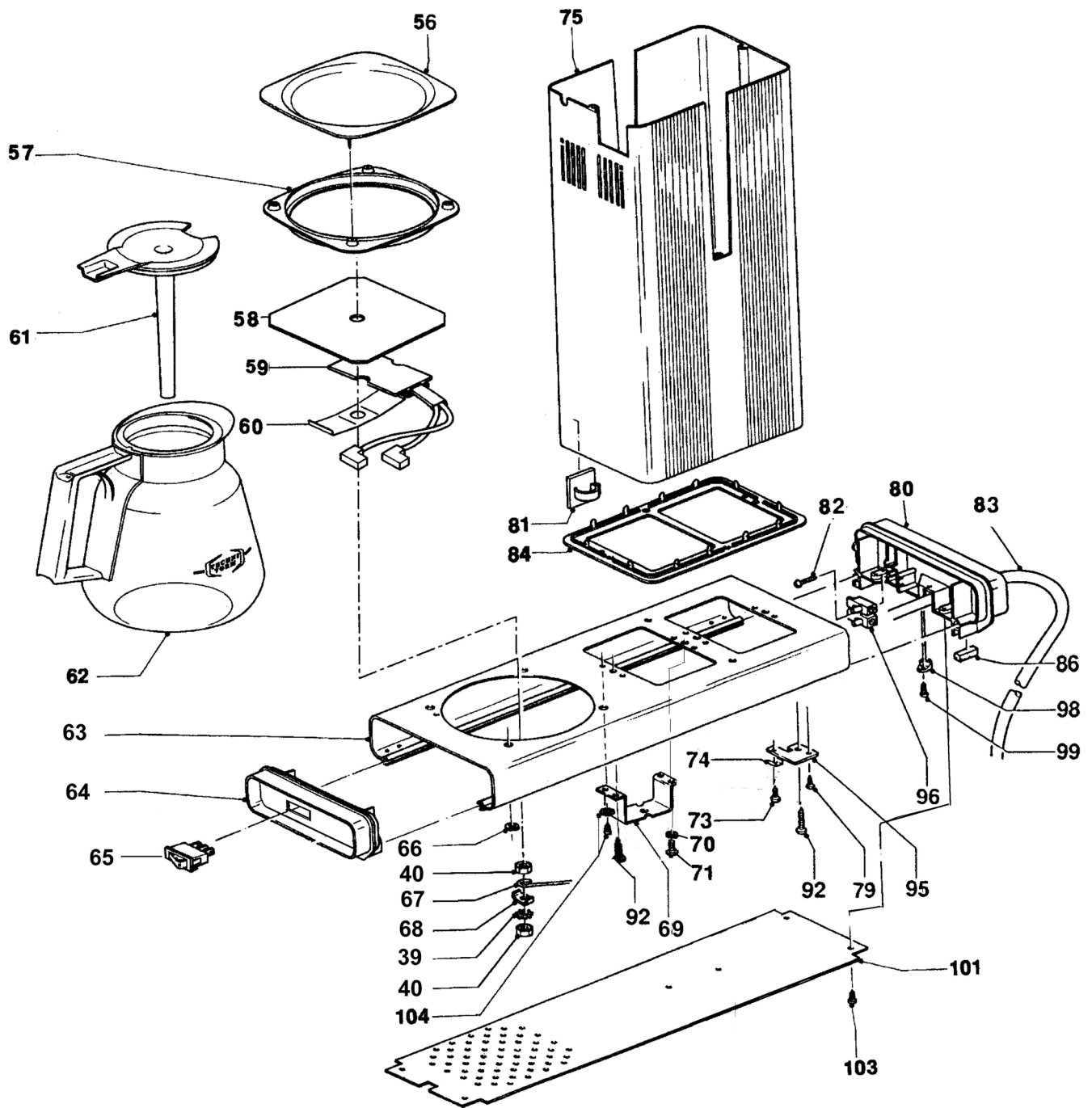





 <p>TECHNI VORM AMERONGEN-HOLLAND</p>	benaming	Moccaserver S
	type	
	datum	21-06-02
	getekend	controle
	formaat	A4 bladnr. 1
tek.nr.		



 TECHNI VORM AMERONGEN-HOLLAND	benaming	Moccaserver S	
	type		
	datum	21-06-02	
	getekend		controle
	formaat	A4	bladnr. 2
	tek.nr.		



 TECHNI VORM [®] AMERONGEN-HOLLAND	benaming	Moccaserver S	
	type	21-06-02	
	datum		
	getekend	controle	
	formaat	A4	bladnr. 3
	tek.nr.		



MOCCAMASTER

SPARES LIST FOR MOCCASERVER - S

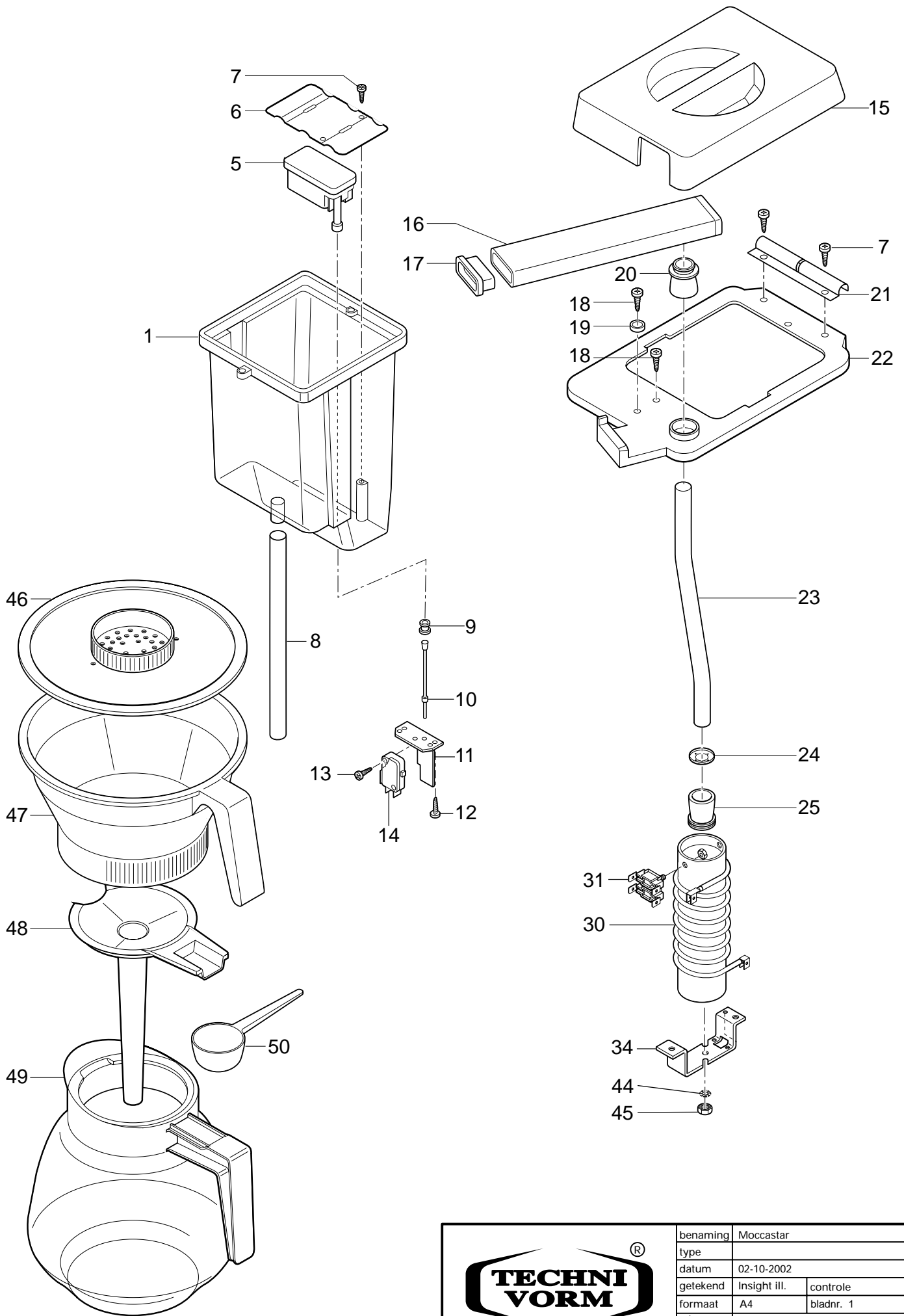
Item.	Description.	Code.
001	Lid coldwatercontainer, black.....	13061
002	Screw 4,2x19, stainless steel.....	70010
003	Drainplug black	11516
004	Float hood	54125
005	Screw, 2,9x6,5, stainless steel.....	73060
006	Sealing washer	12020
007	Cold water container	11050
↳	Cold water container, Norway.....	11055
008	Float	12235
010	Tightening socket.....	12220
012	Rubber tube, 225mm	60098
013	Screw, M3x16	73000
014	Microswitch 16 amp, float	43335
016	Switch pawl.....	54155
017	Fixingplate microswitch.....	54151
018	Screw, 2,9x6,5	73050
019	Hinge.....	54100
020	Upper rear handle, black.....	11756
021	Screw 4,2x13 with capring	70140
022	Cap grey.....	12333
↳	Cap black	12332
023	Sealingring cold water container.....	60035
024	Upper base, black	55077
025	Upper front handle, black.....	11755
030	Outletpipe.....	11502
031	Fastener, 15mm.....	78255
032	Grommet	62105
033	Bended watertransportpipe, 268mm.....	56870
037	Boiling element, 2200W-230V	45208
038	Element bracket	51489
039	Lock washer M6	74025
040	Nut, M6x5.....	72035
042	Thermostat / thermofuse combination	46260
043	Nut, M4.....	72015
044	Screw, 4,2x16, stainless steel.....	70030
046	Filterholder, aluminium, black	55903
047	Measuring spoon	88100
048	Filterholder black.....	13271
054	Screw, M4x8, with capring	71145
055	Nut, M4.....	72015
056	Hotplate, chromium.....	52060
057	Hotplate support, black	11415
058	Aluminium disc hotplate	55410
059	Ptc hotplate element, HP-05, MANUAL.....	41265
060	Tightening spring hotplate element.....	56976
061	Mixing lid, black.....	13396
062	Glass jug, black.....	30061
063	Base plate, black.....	55102
064	Lower front handle, black.....	11826
065	Switch illuminated, black.....	43018
066	Speednut.....	78250
067	Earth wire, 170mm.....	40500
068	Earth clip, M6	78151
069	Element bracket	51489
070	Lock washer, M5.....	74024
071	Screw, M5x10	71070
073	Screw M4x10, with lock washer.....	71011
074	Earth clip	54161




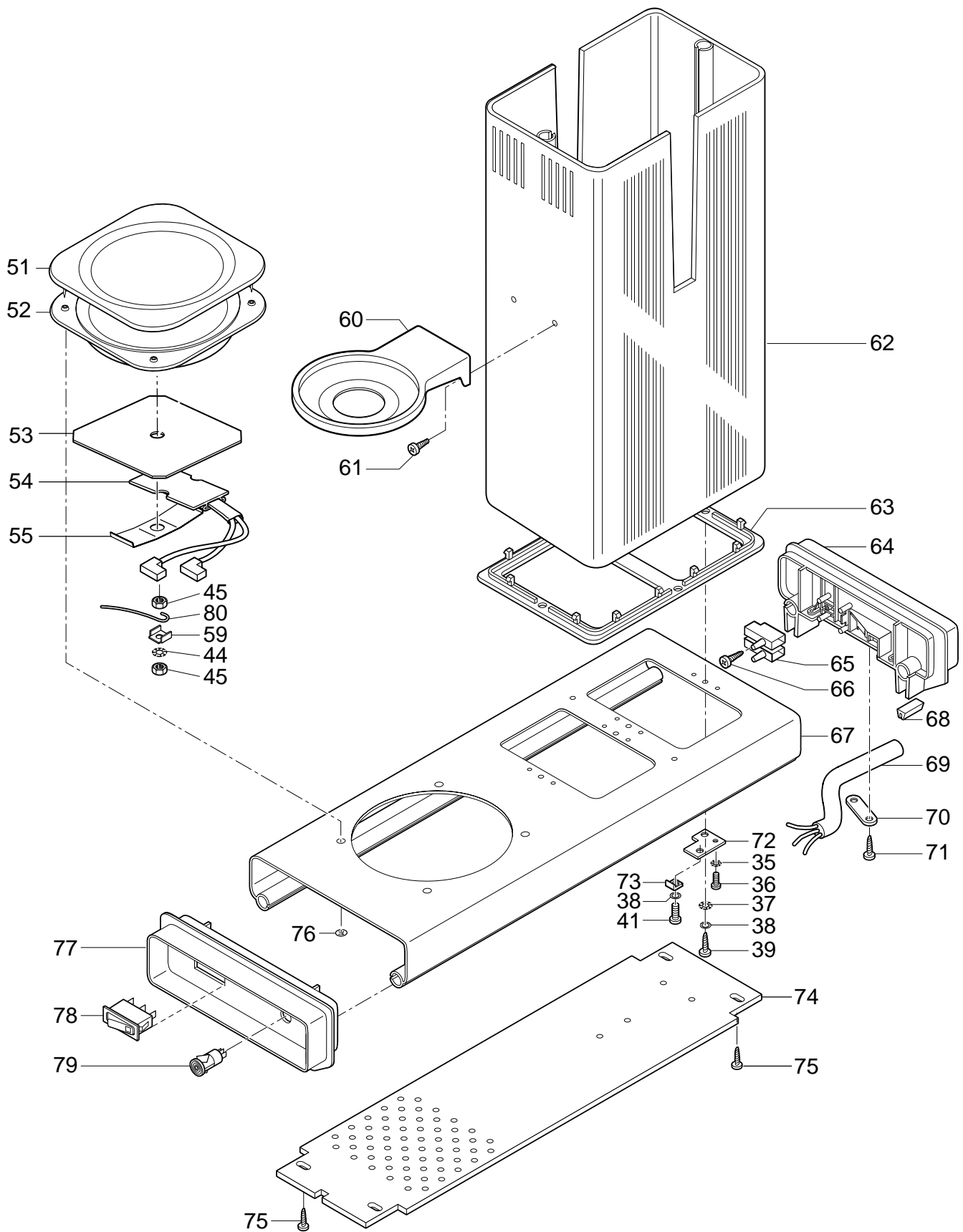
MOCCAMASTER


SPARES LIST FOR MOCCASERVER - S

<u>Item.</u>	<u>Description.</u>	<u>Code.</u>
075	Housing, black 345mm	57105
079	Screw M3x6, with lock washer	73031
080	Lower rear handle with feet, black	11716
081	Self adhesive cable clip	75040
082	Screw, 2,9x19	70065
083	Flex with plug, 3x1,5 black	44085
084	Sealing ring, black	11396
086	Rubber feet	61150
092	Screw, with lock washer	70081
095	Earth connection	54176
096	Block terminal	46060
098	Cord anchorage	78175
099	Screw 3,5x13	70055
101	Bottom plate	11341
103	Plastite screw, M3x8	71060



 TECHNI VORM AMERONGEN-HOLLAND	benaming	Moccastar	
	type		
	datum	02-10-2002	
	getekend	Insight ill.	controle
	formaat	A4	bladnr. 1
	tek.nr.		



 TECHNI VORM [®] AMERONGEN · HOLLAND	benaming	Moccastar
	type	
	datum	02-10-2002
	getekend	Insight ill. controle
	formaat	A4 bladnr. 2
	tek.nr.	



the coffemaker makers.

AMERONGEN - HOLLAND

SPARELIST FOR MOCCASTAR

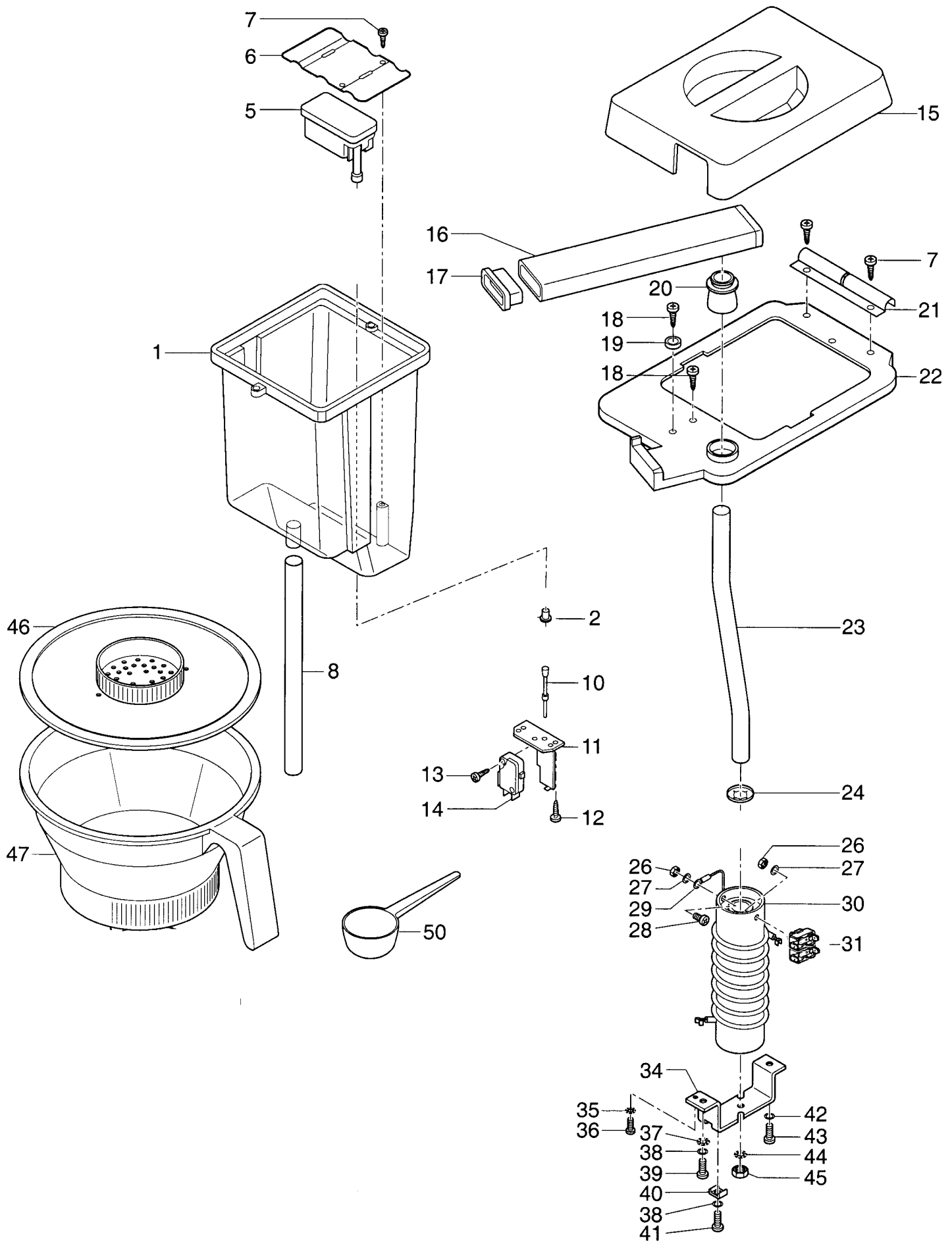
Item.	Description.	Code.
001	Cold water reservoir	11050
002	
003	
004	
005	Float	12235
006	Float hood, stainless steel	54125
007	Notch screw, 2,9x6,5, stainless steel.....	73060
008	Rubber tube, 225mm	60098
009	Tightening socket.....	12220
010	Switch pawl	54155
011	Fixing plate, microswitch.....	54151
012	Notch screw, 2,9x6,5	73050
013	Screw, M3x16, taptite	73000
014	Microswitch 16 amp.	43335
015	Lid coldwater container, black	13065
016	Chromium overflowpipe	53055
017	Rubber closing pad	63011
018	Self tapping screw, 4,2x19 stainless steel	70010
019	Plastic sealing washer	12020
020	Silicon rubber adapter.....	60015
021	Hinge, stainless steel	54100
022	Cover housing Moccastar, black.....	13085
023	Bended watertransport pipe, 247mm.....	56860
024	Fastener, 15mm, stainless steel	78255
025	Grommet	62105
026	
027	
028	
029	
030	Boiling element, 2200W-240V	45200
031	Thermostat/thermofuse combination.	46260
032	
033	
034	Element bracket	51489
035	Toothed washer, M3	74015
036	Screw, M3x10, taptite	73030
037	Toothed washer, M4	74010
038	Spring washer, M4	74020
039	Screw, 4,2x20	70081
040	
041	Screw, M4x10, taptite	71010
042	
043	
044	Toothed washer, M6	74025
045	Nut, M6x5.....	72035
046	Filter lid Moccastar, black	13150
047	Filterholder, black.....	13271
048	Mixing lid, black.....	13396
049	Glass jug, black.....	30061
050	Measuring spoon.....	88105
051	Hotplate oven enamelled, black.....	52064
052	Hotplate support, black	11415
053	Aluminium disc hotplate	55410
054	Ptc hotplate element, HP-05.....	41265
055	Tightening spring hotplate element.....	56976
056	




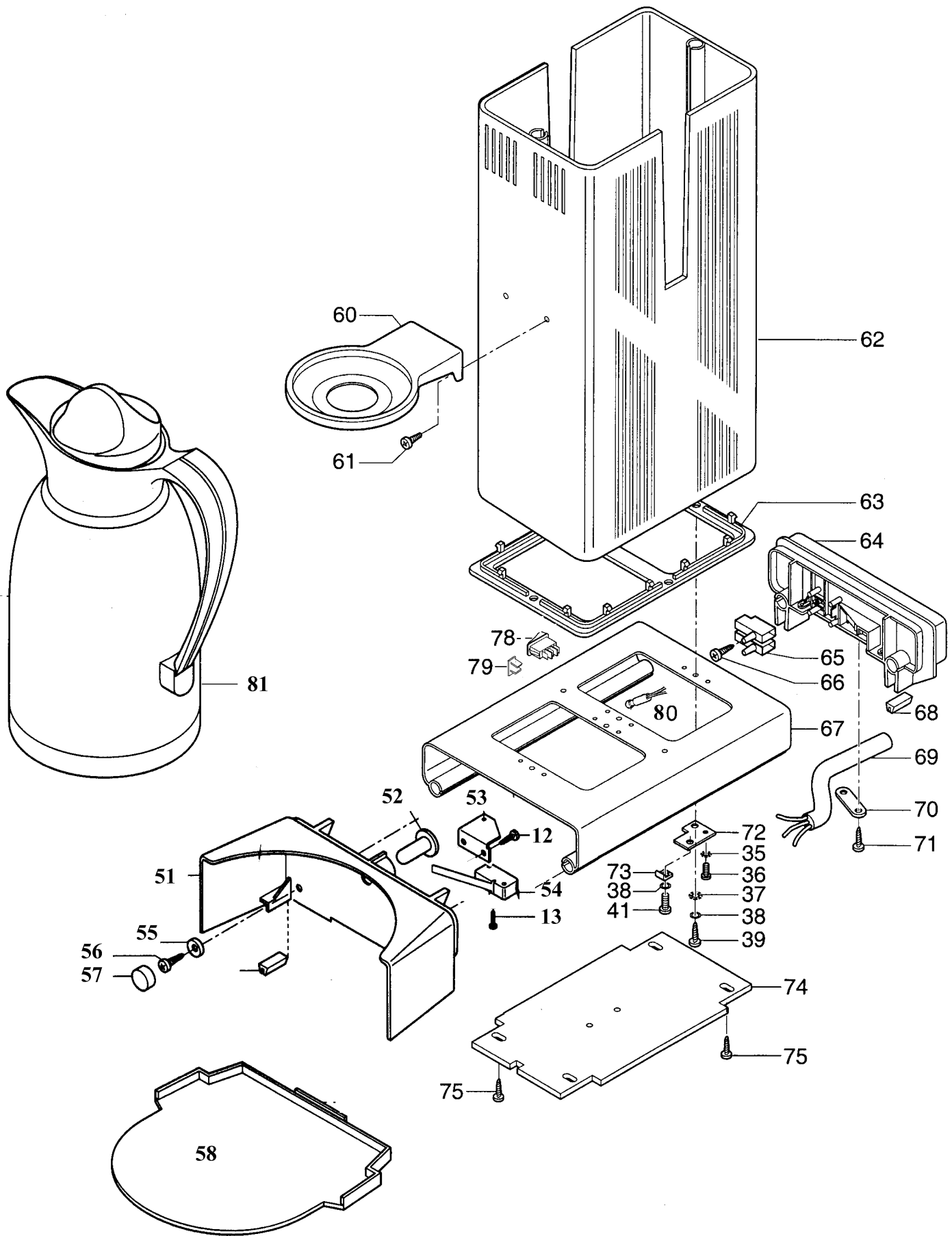
the coffemaker makers.


AMERONGEN - HOLLAND

Item.	Description.	Code.
057	
058	
059	Earth clip, M6	78151
060	Filterbracket, black.....	12795
061	Self tapping screw, 4,2x16, stainless steel	70030
062	Housing Moccstar, silver polished, 330mm	57125
↳	Housing Moccstar, black, 330mm.....	57120
↳	Housing Moccstar, cream, 330mm	55121
063	Sealingring, black.....	11396
064	Rear handle, black, with feet.....	11716
065	Block terminal.....	46060
066	Self tapping screw, 2,9x19.....	70065
067	Baseplate, silver polished	55105
↳	Baseplate, black.....	55102
↳	Baseplate, cream	55101
068	Rubber feet	61150
069	Flex with plug, 3x1,5, black.....	44085
070	Cord anchorage	78175
071	Self tapping screw, 3,5x13.....	70055
072	Earth connection	54176
073	Earth clip	54161
074	Bottom plate.....	11341
075	Plastite screw, M3x8	71060
076	Speednut.....	78250
077	Front handle, Moccstar, black.....	11826
078	Switch, black, illuminated, 10 amp.....	43048
079	Lamp, scale indicator	43655
080	Earth wire, 170mm.....	40500
081	Nut, M6x3.....	72035
INTERNAL WIRING:		
090	White, 400mm.....	40050
091	Brown, 380mm.....	40060
092	Assembly wiring MS 051/B, 380mm (40060) + 380mm (40060)	
093	Assembly wiring MS 051/B, 380mm (40060) + 380mm (40060)	
094	Brown, 380mm.....	40064
095	Blue, 100mm	40425
096	Blue, 400mm	40420



 <p>AMERONGEN-HOLLAND</p>	benaming	Moccastar-thermo	
	type		
	datum	31-01-02	
	getekend		controle
	formaat	A4	bladnr. 1
	tek.nr.		



 TECHNI VORM AMERONGEN-HOLLAND	benaming	Moccastar-thermo	
	type		
	datum	31-01-02	
	getekend		controle
	formaat	A4	bladnr. 2
	tek.nr.	EV 0001 MStar -2	



the coffemaker makers.

AMERONGEN - HOLLAND

SPARELIST FOR MOCCASTAR - thermo

Item.	Description.	Code.
001	Cold water reservoir	11050
002	
003	
004	
005	Float	12235
006	Float hood, stainless steel	54125
007	Notch screw, 2,9x6,5, stainless steel.....	73060
008	Rubber tube, 225mm	60098
009	Tightening socket.....	12220
010	Switch pawl	54155
011	Fixing plate, microswitch.....	54151
012	Notch screw, 2,9x6,5	73050
013	Screw, M3x16, taptite	73000
014	Microswitch 16 amp.	43335
015	Lid coldwater container, black.....	13065
016	Chromium overflowpipe, complete (incl. 017).....	53055
017	Rubber closing pad	63011
018	Self tapping screw, 4,2x19 stainless steel	70010
019	Plastic sealing washer	12020
020	Silicon rubber adapter	60015
021	Hinge, stainless steel	54100
022	Cover housing Moccastar, black.....	13085
023	Bended watertransport pipe, 247mm.....	56860
024	Fastener, 15mm, stainless steel	78255
025	Grommet	62105
026	
027	
028	
029	
030	Boiling element, 2200W-240V	45207
031	Thermostat/thermofuse combination.	46260
032	
033	
034	Element bracket	51489
035	Toothed washer, M3	74015
036	Screw, M3x10, taptite	73030
037	Toothed washer, M4	74010
038	Spring washer, M4	74020
039	Screw, 4,2x20	70080
040	Tightening clip.....	54161
041	Screw, M4x10, taptite	71010
042	Spring washer, M5	74024
043	Screw, taptite, M5	71070
044	Toothed washer, M6	74025
045	Nut, M6x5.....	72035
046	Filter lid Moccastar, black	13150
047	Filterholder, black.....	13271
050	Measuring spoon	88106
051	Front handle, right.....	11135
052	Operation knob	16650
053	Fixation bracket.....	54148
054	Microswitch 16 amp.	43338
055	Capring.....	12331
056	Screw 4,2x13	70040
057	Cap.....	12332
058	Mat	16700



the coffeemaker makers.

AMERONGEN - HOLLAND

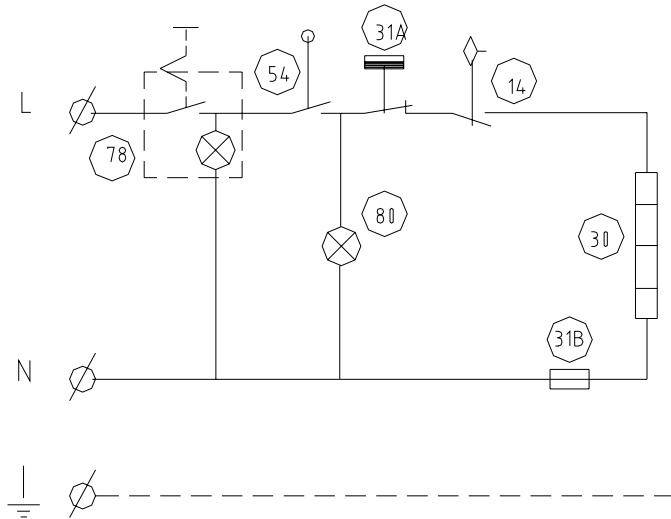
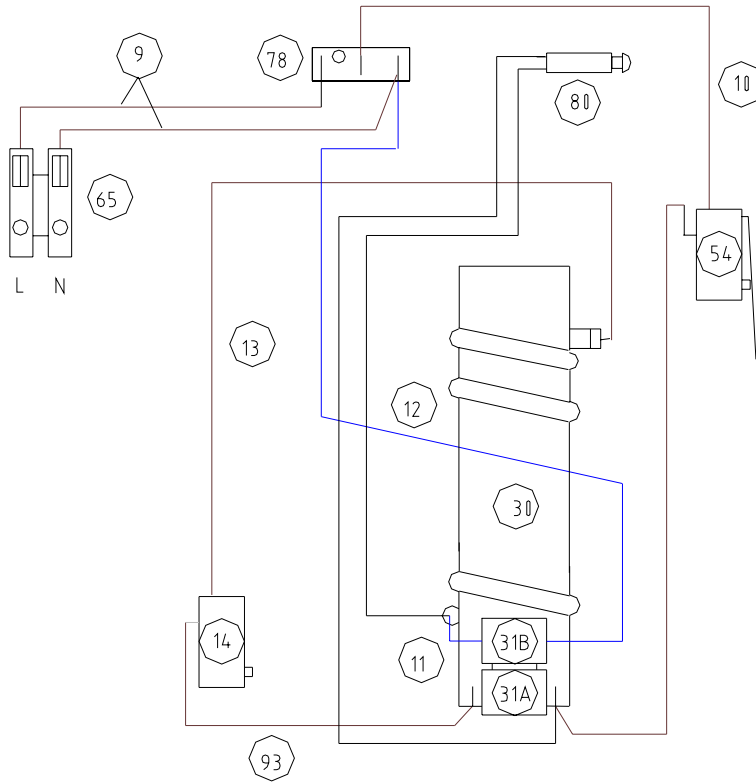
SPARELIST FOR MOCCASTAR - thermo

Table with 3 columns: Item, Description, Code. Lists various spare parts for the Moccastar thermo coffee maker, including filter brackets, screws, housing, sealing rings, handles, terminals, baseplates, rubber feet, flex with plug, cord anchorage, earth connections, clips, bottom plates, and screws.

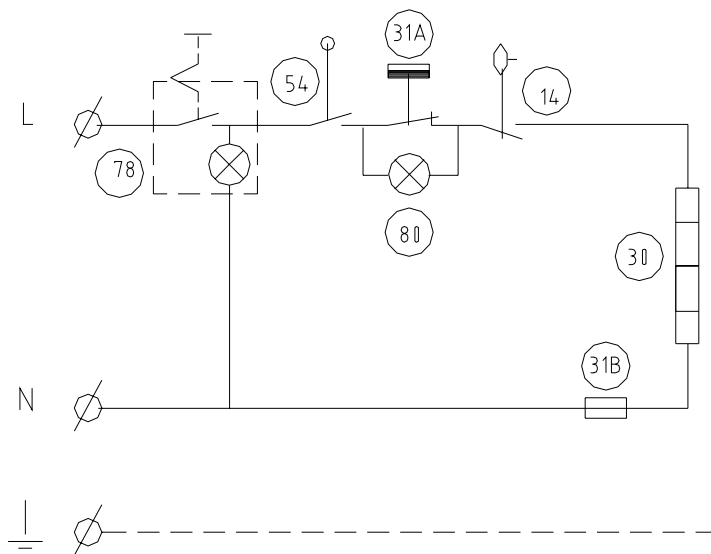
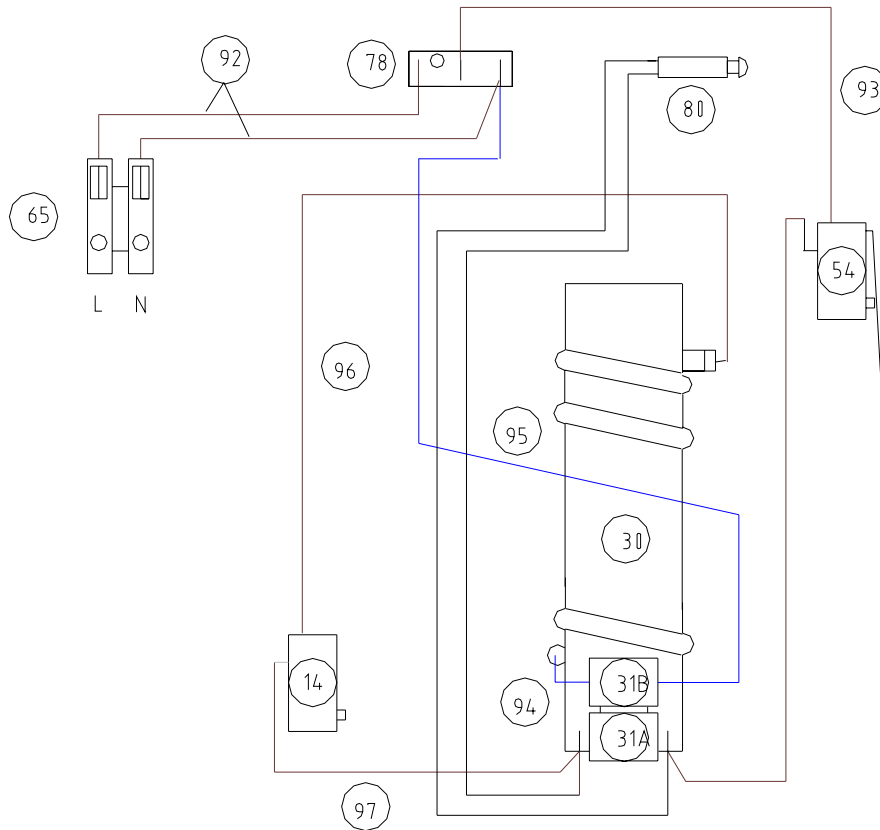
INTERNAL WIRING:

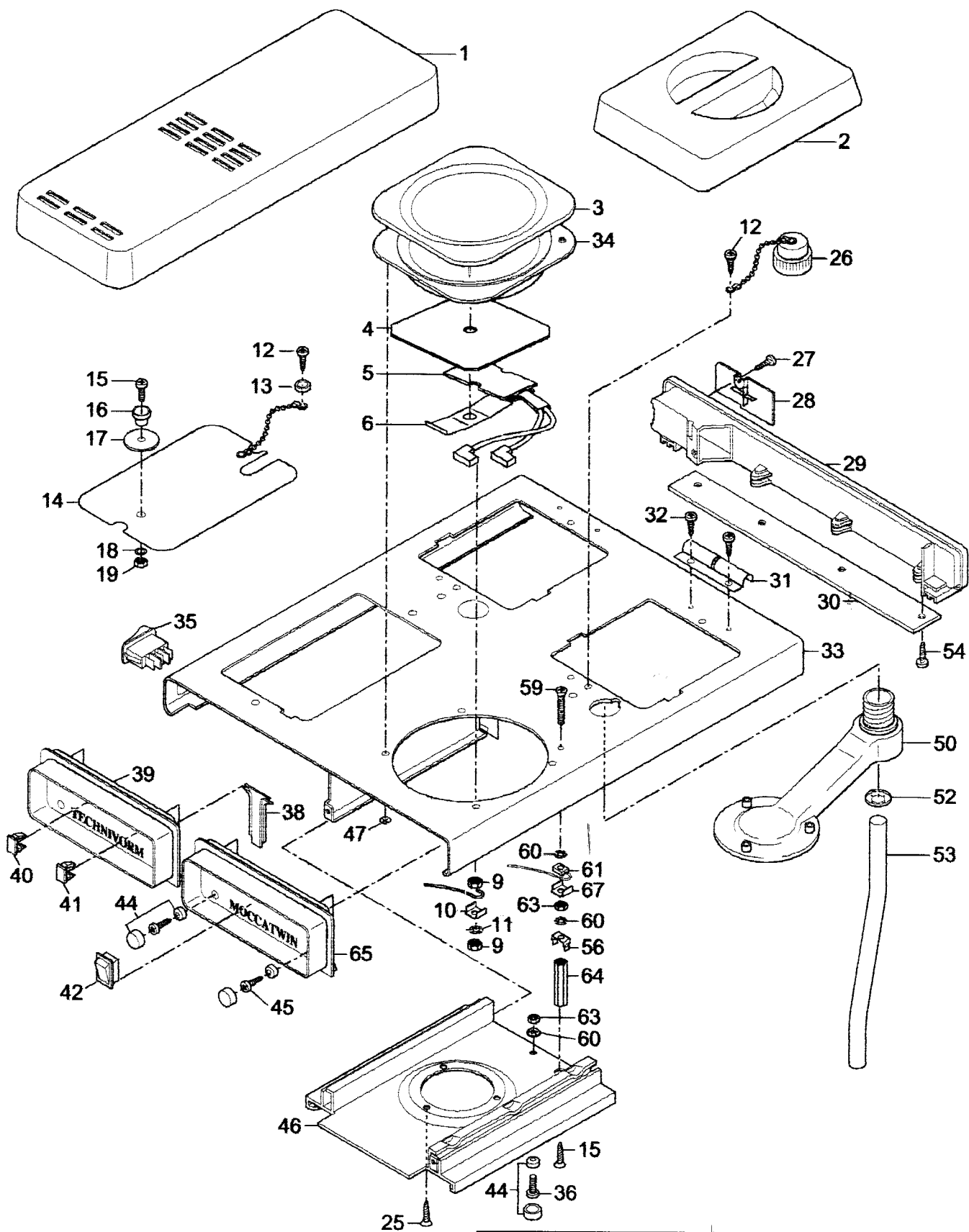
Table with 3 columns: Item, Description, Code. Lists internal wiring components including signal lamps (ORANGE and RED) and various colored wires (Brown, Blue) in different lengths.

MOCCASTAR-thermo "MS 075" - electrical diagram

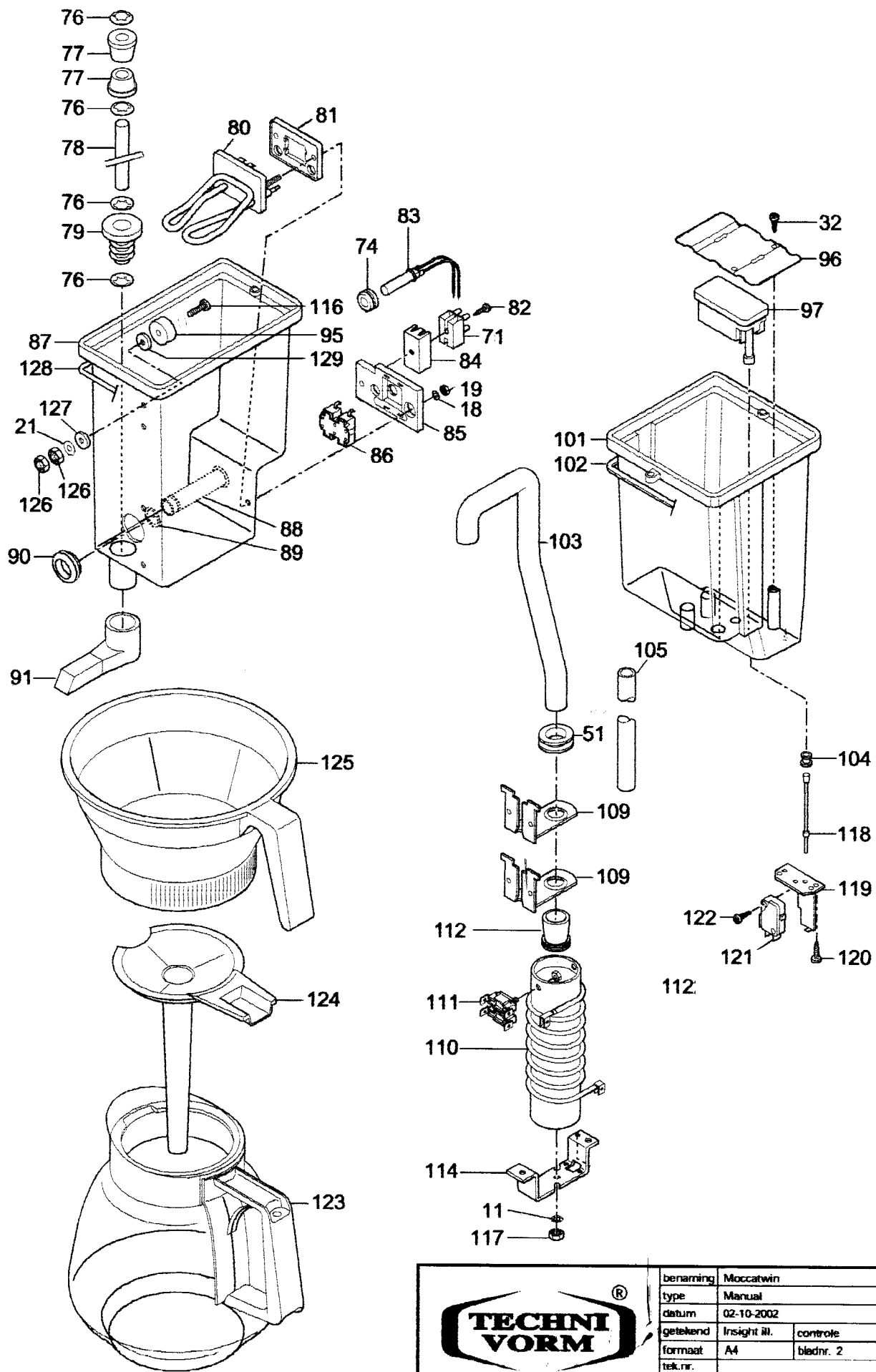



MOCCASTAR-thermo "MS 076" - electrical diagram





		benaming	Mocatwin
		type	Manual
		datum	02-10-2002
		getekend	Insight III. controle
		formaat	A4 bladnr. 1
		tek.nr.	



 TECHNI VORM AMERONGEN-HOLLAND	benaming	Moccatwin
	type	Manual
	datum	02-10-2002
	getekend	Insight III. controle
	formaat	A4 bladnr. 2
	tek.nr.	



the coffeemaker makers.

AMERONGEN - HOLLAND

SPARELIST FOR MOCCATWIN MANUAL

Item.	Description.	Code.
001	Lid hotwater machine, black.....	13070
002	Lid coldwater container, black.....	13061
003	Hotplate, oven enamelled, black.....	52064
004	Aluminium disc hotplate.....	55410
005	Ptc hotplate element, HP-05.....	41266
006	Tightening spring hotplate element.....	56976
007	Ptc hotplate element, HP-05.....	41265
008
009	Nut M6x5.....	72035
010	Earth clip, M6.....	78151
011	Toothed washer, M6.....	74025
012	Parker 4,2x19, stainless steel.....	70010
013	Rubber sealing washer.....	12020
014	Lid hotwater container, stainless steel.....	56951
015	Screw M4x12, stainless steel.....	71005
016	Notched knob, black.....	12840
017	Knob insulating disc, black.....	12841
018	Spring washer, M4, stainless steel.....	74022
019	Nut M4, stainless steel.....	72045
020
021	Toothed washer M3.....	74015
022
023
024
025	Parker 4,2x16, stainless steel.....	70030
026	Drainplug, black.....	11516
027	Parker 3,5x13.....	70055
028	Cover flex go-through, black.....	11247
029	Rear panel, black.....	11193
030	Cover strip.....	54290
031	Hinge.....	54100
032	Notchscrew 2,9x6,5, stainless steel.....	73060
033	Upper base, assembly, cream.....	55472
↳	Upper base, assembly, black.....	55473
034	Hotplate support, black.....	11415
035	Illuminated switch, black.....	43042
036	Screw M4x8.....	71045
037	Screw M4x12, stainless steel.....	71005
038	Insert, black.....	11141
039	Upper front handle, black.....	11765
040	Cover scale indicator.....	43671
041	Cover brewing indicator.....	43668
042	Switch upper hotplate, black, illuminated.....	43014
043
044	Capring grey.....	12333
045	Bolt M4x8, stainless steel.....	71046
046	Filterholder silver.....	55871
047	Speednut.....	78250
048
049
050	Outletpipe.....	11502
051	Rubber adapter.....	62100
052	Fastener 15mm, stainless steel.....	78255
053	Bended watertransportpipe, 268mm.....	56869
↳	Bended watertransportpipe, 268mm, Norway.....	56870
054	Parker 3,5x9,5.....	70050



the coffeemaker makers.

AMERONGEN - HOLLAND

SPARELIST FOR MOCCATWIN MANUAL

Item.	Description.	Code.
055	
056	U-shaped tab.....	46041
058	
059	Screw M4x20.....	71035
060	Toothed washer M4.....	74010
061	Nut M4.....	72020
063	Nut M4.....	72015
064	Connection nut.....	75010
065	Upper front handle moccawin, black.....	11771
067	Earth clip.....	54161
071	Block terminal.....	46075
072	
073	
074	Grommet 10x13.....	62170
075	
076	Fastener 10mm, stainless steel.....	78260
077	Handle overflow.....	16020
078	Overflow (incl. 076, 077, 078).....	56801
079	Rubber sealing overflow.....	60025
080	Heating element hotwatercontainer.....	45090
081	Silicon sealing heating element.....	60020
082	Parker 2,9x19.....	70065
083	Temperature sensor.....	46310-A
084	Fixation block terminal.....	11240
085	Fixation flange.....	16460
086	Temperature safety device.....	46351
087	Hotwater container.....	11068-A
↳	Hotwater container complete incl: 018, 019, 021, 071, 074, 080-087, 090, 116, 126-129	11074
088	Outletpipe connection.....	54925
089	O-ring 13x2,5.....	63220
090	Rubber sealingring.....	62100
091	Rubber overflow tube.....	60180
092	
093	
094	
095	Bush.....	16640
096	Floathood.....	54125
097	Float.....	12235
098	
099	
100	
101	Coldwater container.....	11050
↳	Coldwater container, Norway.....	11055
102	Sealingring coldwater container.....	60035
103	Bended overflowpipe.....	51104
104	Tightening socket.....	12220
105	Rubber tube 217mm.....	60092
106	
107	
108	
109	Fixation bracket.....	56611
110	Boiling element 2200/240V.....	45203
↳	Boiling element 2200/230V.....	45209
111	Thermostat/thermofuse combination.....	46260
112	Grommet.....	62105



the coffeemaker makers.

AMERONGEN - HOLLAND

SPARELIST FOR MOCCATWIN MANUAL

Item.	Description.	Code.
113	
114	Elementbracket	51489
115	Screw + springwasher	70081
116	Bolt M3x20, stainless steel	71110
117	Nut M6x5.....	72035
118	Switch pawl	54155
119	Fixingplate microswitch	54151
120	Notchscrew 2,9x6,5.....	73050
121	Microswitch	43305
122	Selftapping screw M3x16.....	73000
123	Glass jug, black	30061
124	Lid jug, black	13396
125	Filterholder, black.....	13271
126	Nut M3, stainless steel	72026
127	Closingring, stainless steel	74043
128	Sealingring hotwatercontainer	60036
129	Silicon sealing disc.....	60060
130	
134	
135	Springwasher M4	74020
136	Outlet, chromium plated	54920
137	Screw, 2,9x13.....	70046
142	Nut chromium plated	54941
143	Security ring, watertap.....	74065
144	O-ring, 15,55x2,62	63230
145	Watertap	54960
146	Fixing bracket, upper front handle	51670
148	Housing, cream.....	57113
↳	Housing, black	57114
149	Housing, cream.....	57100
↳	Housing, black	57105
150	Housing, cream.....	57100
↳	Housing, black	57105
151	Sealingring, black.....	11396
152	
153	
154	
155	
156	
157	Rear panel, black	11188
159	Flex with plug, 3x1,5, black.....	44085
↳	Flex with plug, 3x1,5, black (UK)	44064
160	Baseplate, cream	55446
↳	Baseplate, black	55447
161	
162	Adhesive clip 6mm	75040
163	
164	
165	
167	Bolt M4x10, taptite	71010
169	Earth terminal	54171
170	Block terminal	46060
171	
172	Bottom plate	11361
173	Printed circuit board, hotwater machine	48010A
174	Fixing plate circuit board.....	54020

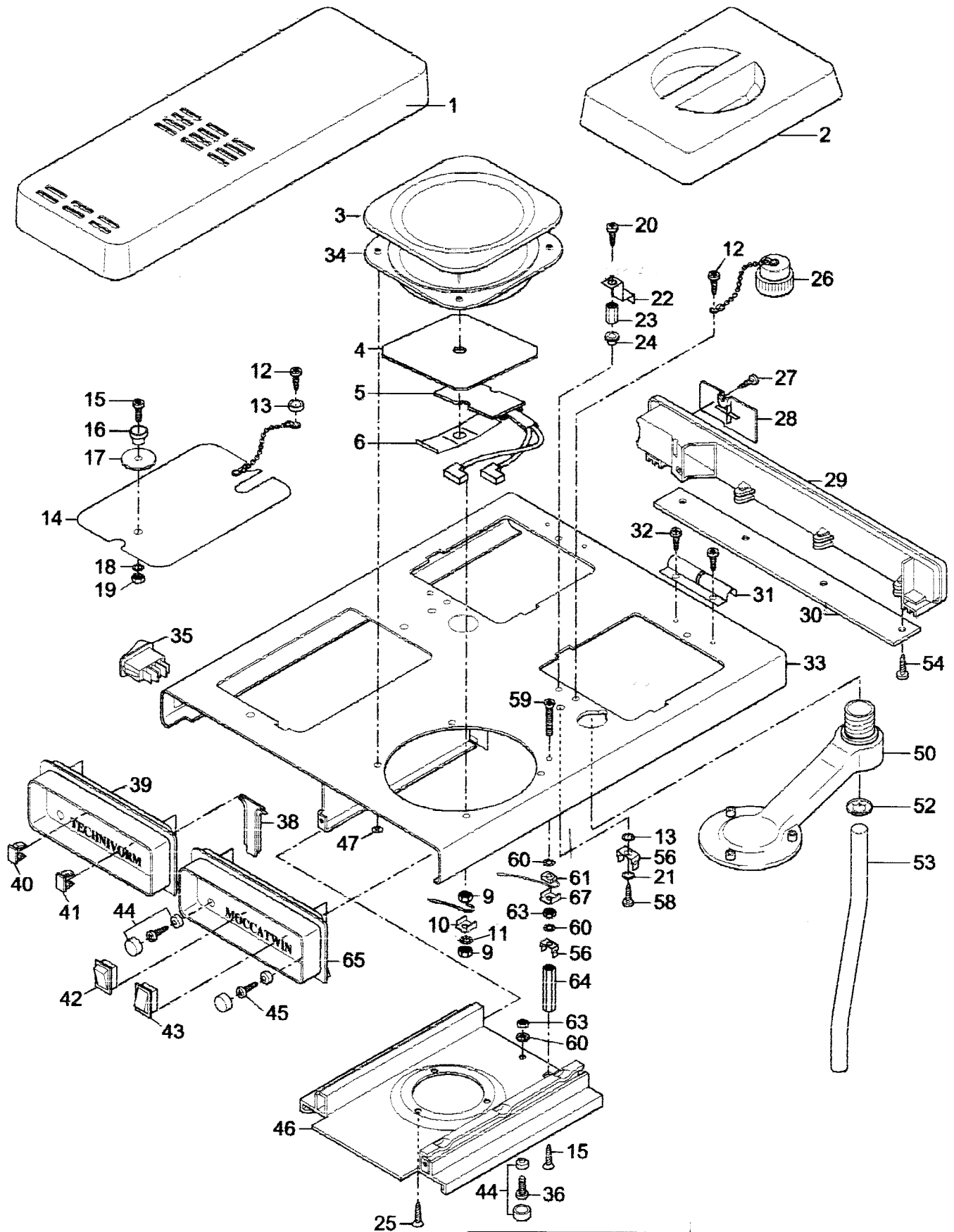


the coffeemaker makers.

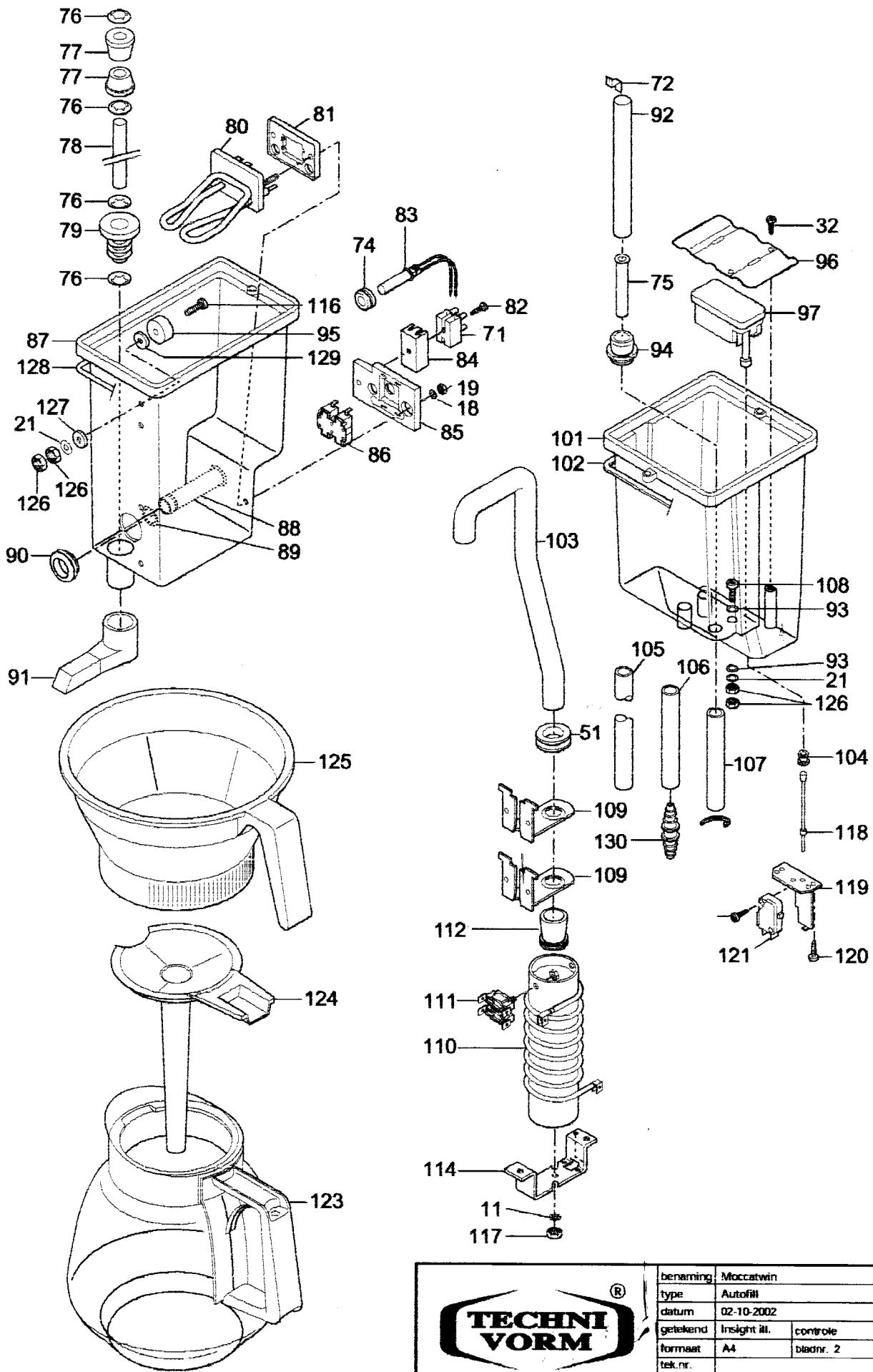
AMERONGEN - HOLLAND


SPARELIST FOR MOCCATWIN MANUAL

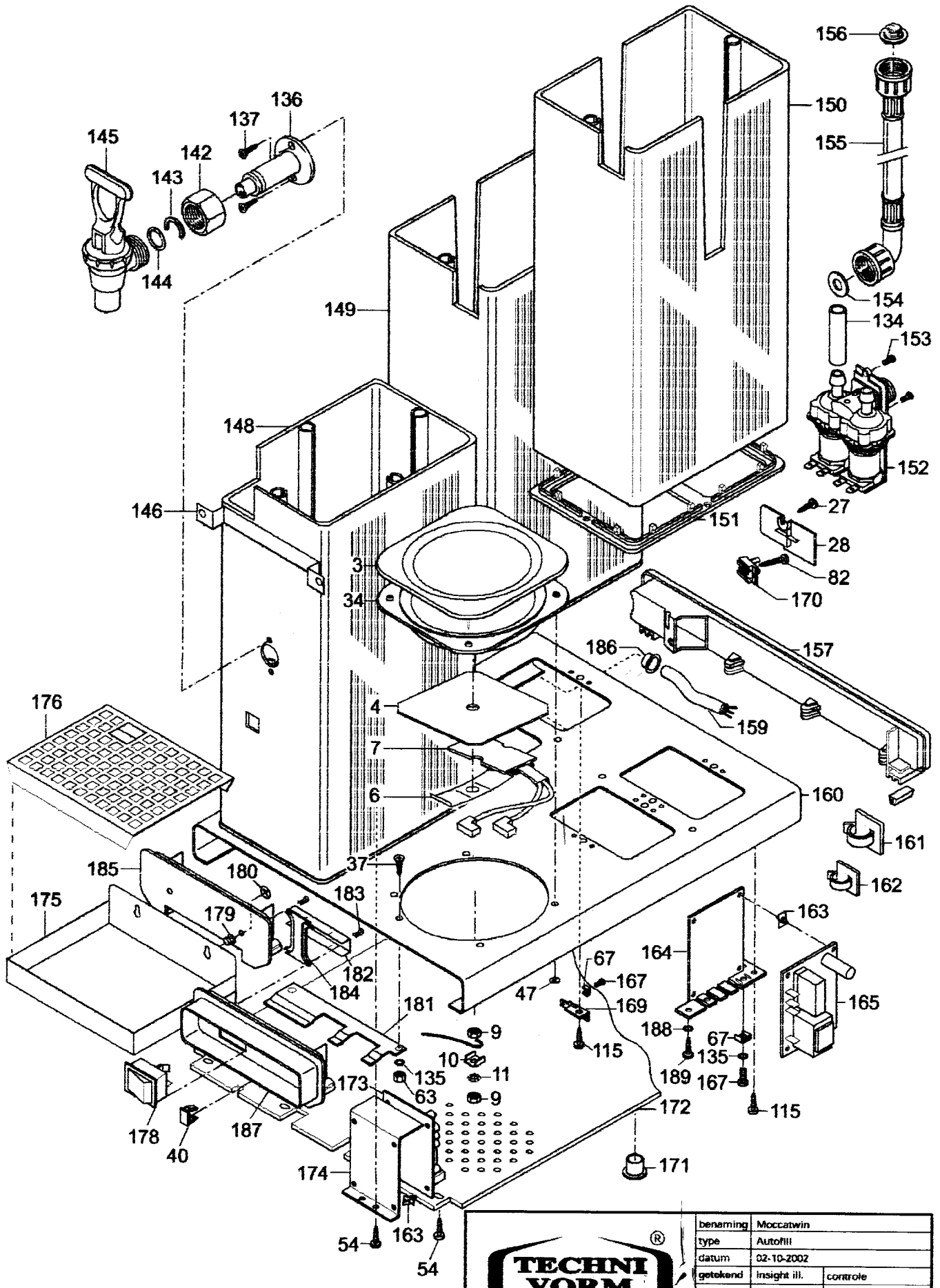
Item.	Description.	Code.
175	Driptray	54875
176	Grid driptray.....	54885
177	
178	Main switch, black, illum.	43151
179	Bolt driptray	71300
180	Fastener 3mm, stainless steel.....	78265
181	Fixation bracket, lower front handle.....	51660
182	Aluminium profile	50350
183	Spring clip	78210
184	Insert, black.....	11142
185	Front handle, driptray	11125
186	Flex go-through, black.....	11246
187	Lower front handle, black.....	11761
188	
189	




	benaming	Moccatwin	
	type	Autofill	
	datum	02-10-2002	
	getekend	Insight in.	controle
	formaat	A4	bladnr. 1
tek.nr.			



 TECHNI VORM AMERONGEN-HOLLAND	benaming	Moccatwin
	type	Autofill
	datum	02-10-2002
	getekend	Insight ill. controle
	formaat	A4 bladnr. 2
tek.nr.		



		benaming	Mocatwin
		type	Autofill
		datum	02-10-2002
		getekend	Insight ill. controle
		formaat	A4 bladnr. 3
		tek.nr.	
AMERONGEN-HOLLAND			



the coffeemaker makers.

AMERONGEN - HOLLAND

SPARELIST FOR MOCCATWIN AUTOFILL

Item.	Description.	Code.
001	Lid hotwater machine, black.....	13070
002	Lid coldwater container, black.....	13061
003	Hotplate, oven enamelled, black.....	52064
004	Aluminium disc hotplate.....	55410
005	Ptc hotplate element, HP-05.....	41266
006	Tightening spring hotplate element.....	56976
007	Ptc hotplate element, HP-05.....	41265
008
009	Nut M6x5.....	72035
010	Earth clip, M6.....	78151
011	Toothed washer, M6.....	74025
012	Parker 4,2x19, stainless steel.....	70010
013	Rubber sealing washer.....	12020
014	Lid hotwater container, stainless steel.....	56951
015	Screw M4x12, stainless steel.....	71005
016	Notched knob, black.....	12840
017	Knob insulating disc, black.....	12841
018	Spring washer, M4, stainless steel.....	74022
019	Nut M4, stainless steel.....	72045
020	Bolt M3x6, stainless steel.....	71048
021	Toothed washer M3.....	74015
022	Sensor autofill system.....	56540
023	Spacer, nickel plated.....	78320
024	Insulating bush.....	62430
025	Parker 4,2x16, stainless steel.....	70030
026	Drainplug, black.....	11516
027	Parker 3,5x13.....	70055
028	Cover flex go-through, black.....	11247
029	Rear panel, black.....	11193
030	Cover strip.....	54290
031	Hinge.....	54100
032	Notchscrew 2,9x6,5, stainless steel.....	73060
033	Upper base, assembly, cream.....	55472
↳	Upper base, assembly, black.....	55473
034	Hotplate support, black.....	11415
035	Illuminated switch, black.....	43042
036	Screw M4x8.....	71045
037	Screw M4x12, stainless steel.....	71005
038	Insert, black.....	11141
039	Upper front handle, black.....	11765
040	Cover scale indicator.....	43671
041	Cover brewing indicator.....	43668
042	Switch upper hotplate, black, illuminated.....	43014
043	Push button switch, autofill.....	43200
044	Capring grey.....	12333
045	Bolt M4x8, stainless steel.....	71046
046	Filterholder silver.....	55871
047	Speednut.....	78250
048
049
050	Outletpipe.....	11502
051	Rubber adapter.....	62100
052	Fastener 15mm, stainless steel.....	78255
053	Bended watertransportpipe, 268mm.....	56869
↳	Bended watertransportpipe, 268mm, Norway.....	56870
054	Parker 3,5x9,5.....	70050



the coffeemaker makers.

AMERONGEN - HOLLAND

SPARELIST FOR MOCCATWIN AUTOFILL

Table with 3 columns: Item., Description., Code. It lists various spare parts for the Moccawin Autofill coffee maker, including items like U-shaped tabs, bolts, screws, washers, nuts, connection nuts, handles, overflow parts, heating elements, sensors, and containers.



the coffeemaker makers.

AMERONGEN - HOLLAND

SPARELIST FOR MOCCATWIN AUTOFILL

Item.	Description.	Code.
113	
114	Elementbracket	51459
115	Screw + springwasher	70081
116	Bolt M3x20, stainless steel	71110
117	Nut M6x5.....	72035
118	Switch pawl	54155
119	Fixingplate microswitch	54151
120	Notchscrew 2,9x6,5.....	73050
121	Microswitch	43305
122	Selftapping screw M3x16.....	73000
123	Glass jug, black	30061
124	Lid jug, black	13396
125	Filterholder, black.....	13271
126	Nut M3, stainless steel	72026
127	Closingring, stainless steel	74043
128	Sealingring hotwatercontainer	60036
129	Silicon sealing disc.....	60060
130	Tube connector.....	88495
134	Rubber tube, 85mm	60125
135	Springwasher M4	74020
136	Outlet, chromium plated	54920
137	Screw, 2,9x13.....	70046
142	Nut chromium plated	54941
143	Security ring, watertap.....	74065
144	O-ring, 15,55x2,62	63230
145	Watertap	54960
146	Fixing bracket, upper front handle	51670
148	Housing, cream.....	57113
↳	Housing, black	57114
149	Housing, cream.....	57101
↳	Housing, black	57106
150	Housing, cream.....	57100
↳	Housing, black	57105
151	Sealingring, black.....	11396
152	Inlet valve	88405
153	Screw M4x10.....	71030
154	Rubber sealingring ¾	62360
155	PEX watertube ¾"	62330
↳	PEX watertube ½", Denmark	62340
156	Strainer	62370
157	Rear panel, black	11188
159	Flex with plug, 3x1,5, black.....	44085
↳	Flex with plug, 3x1,5, black (UK)	44064
160	Baseplate, cream	55446
↳	Baseplate, black	55447
161	Adhesive clip 18mm	75020
162	Adhesive clip 6mm	75040
163	Printed circuit board support	48050
164	Fixingplate, circuit board.....	54011
165	Printed circuit board, autofill system	48040
167	Bolt M4x10, taptite	71010
169	Earth terminal	54171
170	Block terminal	46060
171	Copper tube.....	51030
172	Bottom plate	11366
173	Printed circuit board, hotwater machine	48010A



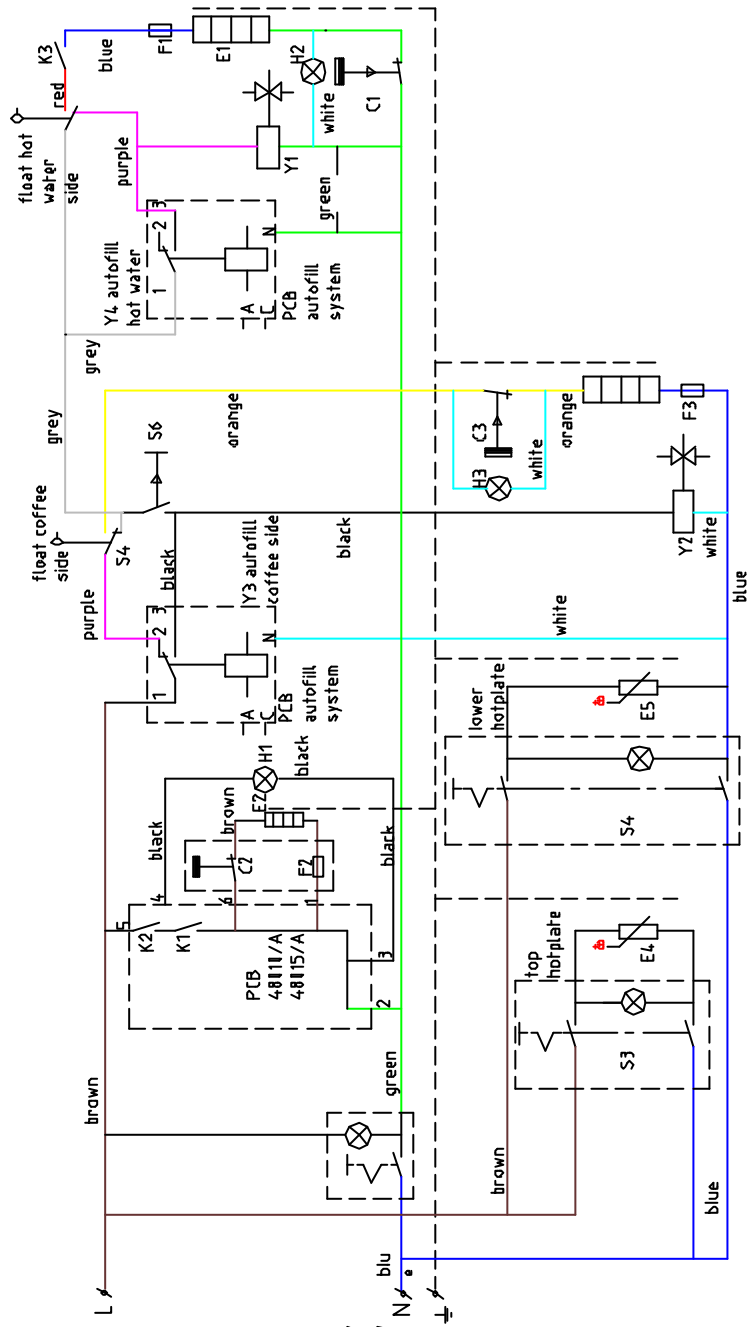
the coffeemaker makers.

AMERONGEN - HOLLAND

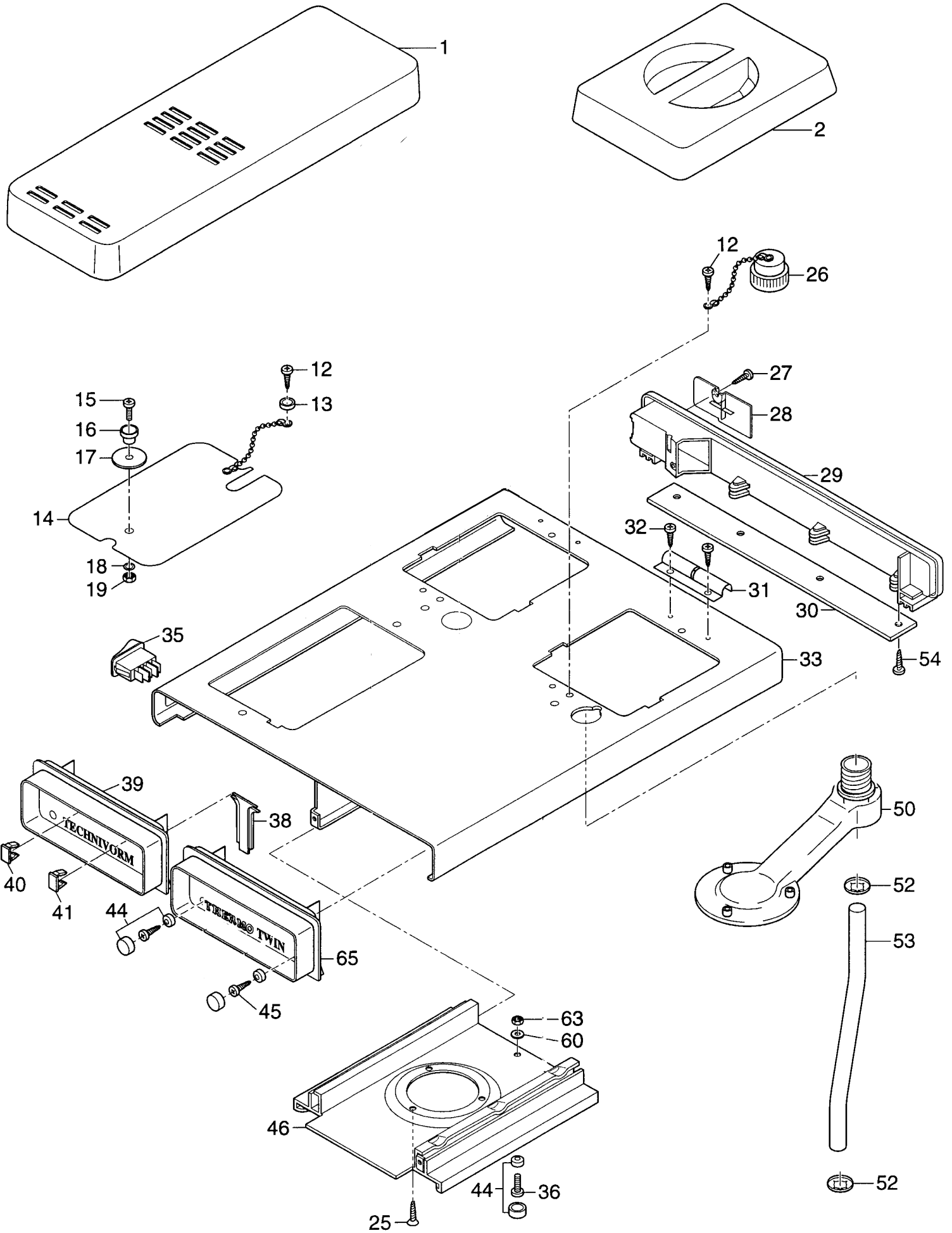
SPARELIST FOR MOCCATWIN AUTOFILL


Item.	Description.	Code.
174	Fixing plate circuit board.....	54020
175	Drip tray	54875
176	Grid drip tray.....	54885
177	
178	Main switch, black, illum.	43151
179	Bolt drip tray	71300
180	Fastener 3mm, stainless steel.....	78265
181	Fixation bracket, lower front handle.....	51660
182	Aluminium profile	50350
183	Spring clip	78210
184	Insert, black.....	11142
185	Front handle, drip tray	11125
186	Flex go-through, black.....	11246
187	Lower front handle, black.....	11761
188	Springwasher M5	74024
189	Screw M5x10, taptite.....	71070

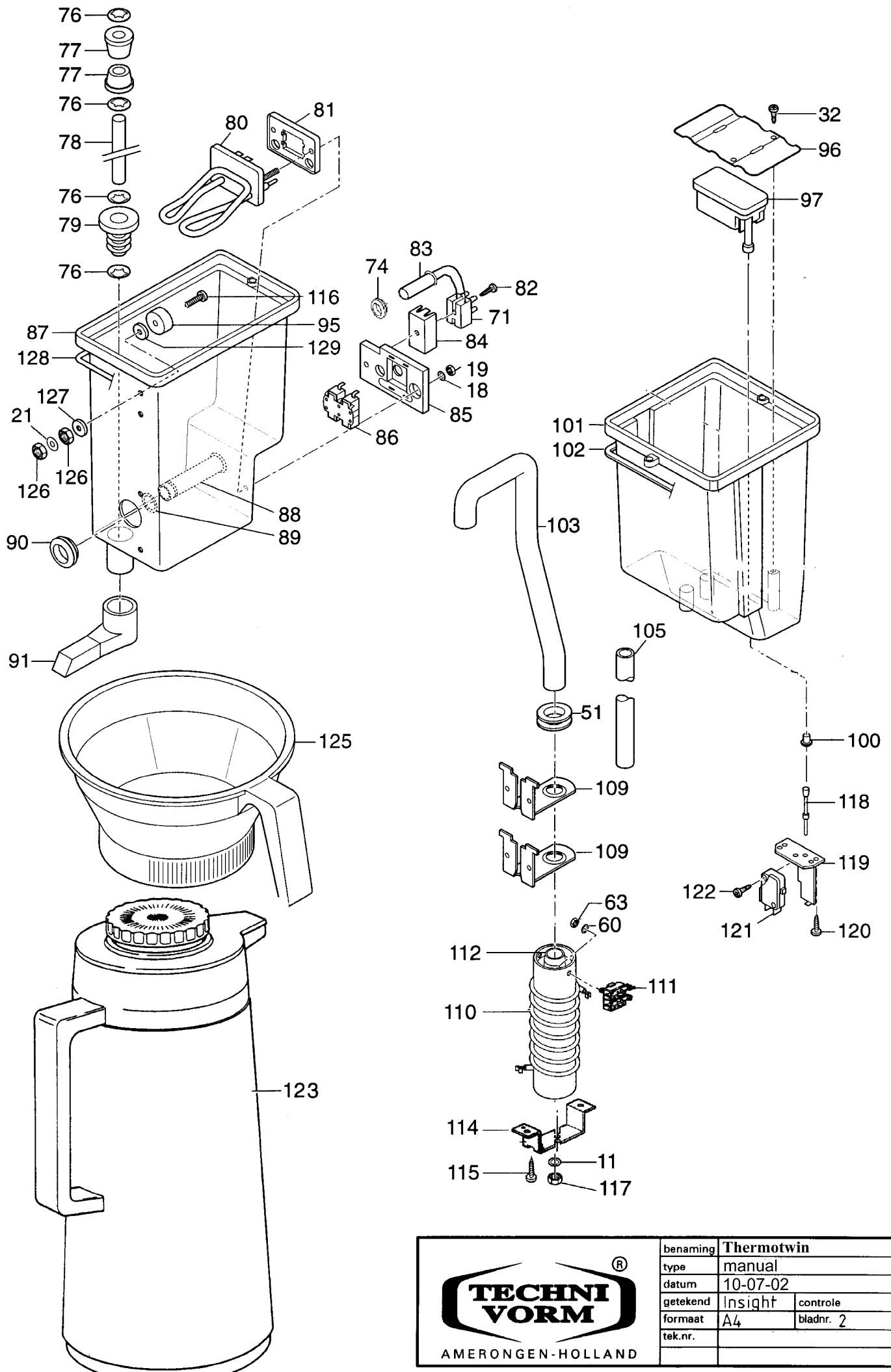
MOCCATWIN AUTOFILL - electrical diagram




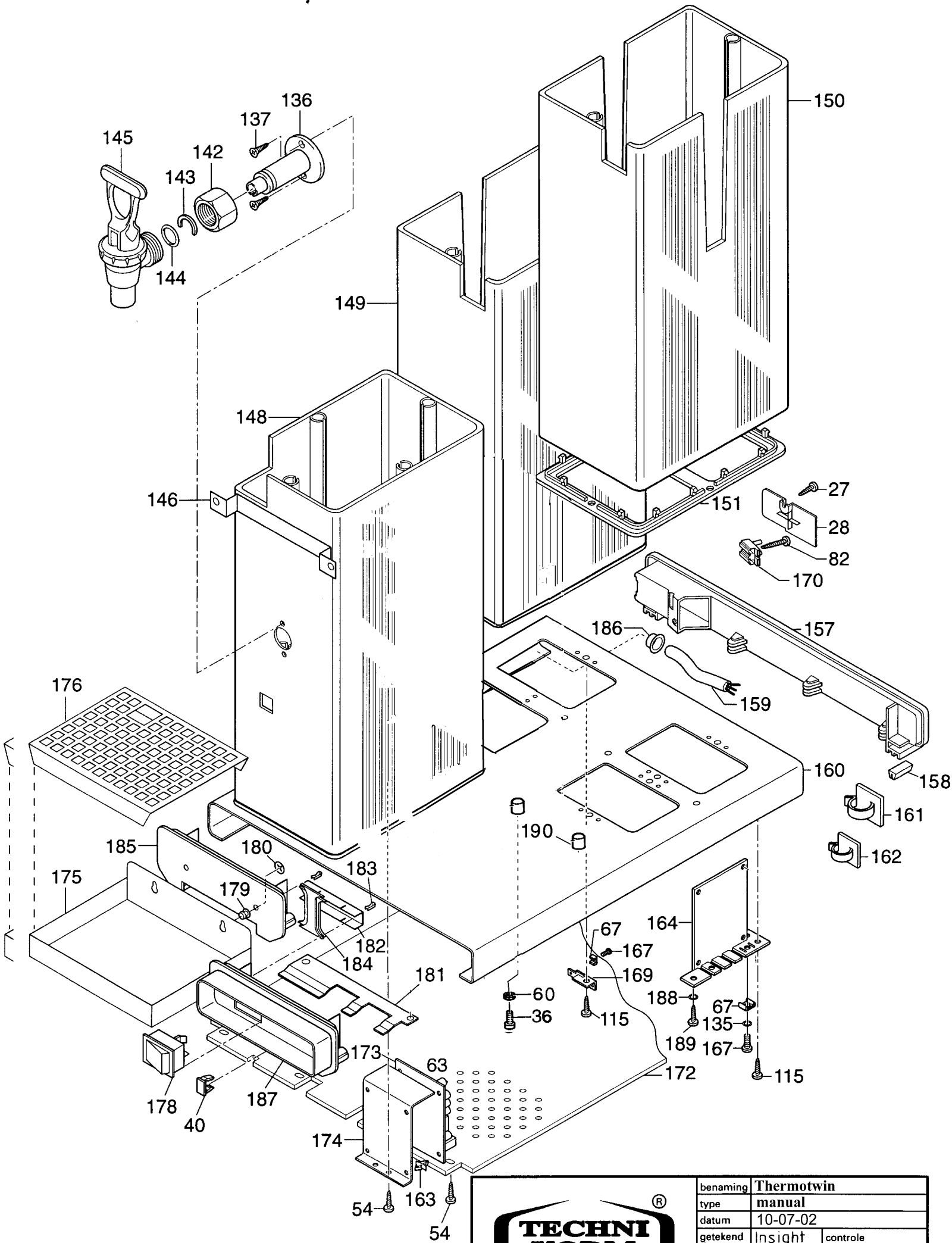
- S1 : ON/OFF switch hot water
- S2 : ON/OFF switch top hotplate
- S3 : ON/OFF switch coffee side
- S4 : float switch coffee side
- S5 : float switch hot water
- S6 : push button autofill
- C1 : thermostat 145C
- C2 : " 120C
- C3 : " 145C
- E1 : elem. 220W/230V
- E2 : elem. 450W/240V
- E3 : elem. 220W/230V
- E4 : elem. HP 05/230V
- E5 : elem. HP 05/230V
- F1 : T.C.O. 260C
- F2 : T.C.O. 206C
- F3 : T.C.O. 260C
- H1 : ready for use
- H2 : descale
- H3 : descale
- Y1 : inlet valve hot water
- Y2 : inlet valve coffee side
- Y3 : autofill relay coffee side
- Y4 : autofill relay hot water
- PCB: HW/MT 48010/A-48015/A




 <p>AMERONGEN-HOLLAND</p>	benaming	Thermotwin	
	type	manual	
	datum	10-07-02	
	getekend	Insight	controle
	formaat	A4	bladnr. 1
	tek.nr.		



 <p>AMERONGEN-HOLLAND</p>	benaming	Thermotwin	
	type	manual	
	datum	10-07-02	
	getekend	Insight	controle
	formaat	A4	bladnr. 2
	tek.nr.		



		benaming	Thermotwin
		type	manual
		datum	10-07-02
		getekend	Insight controle
		formaat	A4 bladnr. 3
		tek.nr.	
AMERONGEN-HOLLAND			



the coffemaker makers.

AMERONGEN - HOLLAND

SPARELIST FOR THERMOTWIN MANUAL

Item.	Description.	Code.
001	Lid hotwater machine, black	13070
002	Lid coldwater container, black	13061
012	Parker 4,2x19, stainless steel	70010
011	Nut M6.....	72035
013	Rubber sealing washer	12020
014	Lid hotwater container (incl. item 15,16,17,18,19).....	56951
015	Screw M4x12, stainless steel.....	71005
016	Notched knob, black	12840
017	Knob insulating disc, black.....	12841
018	Spring washer, M4, stainless steel	74022
019	Nut M4, stainless steel.....	72045
021	Toothed washer M3	74015
025	Parker 4,2x16, stainless steel.....	70030
026	Drainplug complete, black.....	11516
027	Parker 3,5x13.....	70055
028	Cover flex go-through, black	11247
029	Rear panel, black	11193
030	Cover strip.....	54290
031	Hinge.....	54100
032	Notchscrew 2,9x6,5, stainless steel.....	73060
033	Upper base, assembly, black.....	55462
↳	Upper base, assembly, cream	55461
035	Illuminated switch, black	43042
036	Screw M4x8	71045
038	Insert, black.....	11141
039	Upper front handle, black.....	11765
040	Cover scale indicator	43671
041	Cover brewing indicator	43668
044	Capring grey.....	12333
045	Bolt M4x8, stainless steel	71046
046	Filterholder black.....	55825
050	Outletpipe complete	11502
051	Rubber adapter	62100
052	Fastener 15mm, stainless steel	78255
053	Bended watertransportpipe, 413mm.....	56896
↳	Bended watertransportpipe, 413mm, Norway	56897
054	Parker 3,5x9,5.....	70050
060	Toothed washer M4	74010
063	Nut M4.....	72015
065	Upper front handle thermotwin, black	11786
067	Earth clip	54161
071	Block terminal.....	46070
074	Grommet 10x13	62170
076	Fastener 10mm, stainless steel	78260
077	Handle overflow	16020
078	Overflow, stainless steel	56800
079	Rubber sealing overflow	60025
080	Heating element hotwatercontainer	45090
081	Silicon sealing heating element	60020
082	Parker 2,9x19.....	70065
083	Temperature sensor.....	46310/A
084	Fixation block terminal	11240
085	Fixation flange.....	16460
086	Temperature safety device	46351
087	Hotwater container.....	11068/A
↳	Hotwater container complete incl:	11074

SPARELIST FOR THERMOTWIN MANUAL

Item.	Description.	Code.
	018, 019, 021, 071, 074, 080-087, 090, 116, 126-129	
088	Outletpipe connection	54925
089	O-ring 13x2,5	63220
090	Rubber sealingring	62100
091	Rubber overflow tube	60180
095	Bush	16640
096	Floathood	54125
097	Float	12235
100	Tightening socket	12220
101	Coldwater container	11050
↳	Coldwater container, Norway	11055
102	Sealingring coldwater container	60035
103	Bended overflowpipe	51109
105	Rubber tube 345mm	60091
109	Fixation bracket	56611
110	Boiling element 2200/230V	45203
↳	Boiling element 2200/230V	45209
111	Thermostat/thermo-fuse	46260
112	Grommet	62105
114	Elementbracket	51489
115	Screw + springwasher	70081
116	Bolt M3x20, stainless steel	71110
117	Nut M6x5	72035
118	Switch pawl	54155
119	Fixingplate microswitch	54151
120	Notchscrew 2,9x6,5	73050
121	Microswitch	43305
122	Selftapping screw M3x16	73000
123	Airpot 1,8 ltr	88710
125	Filterholder, black	13271
126	Nut M3, stainless steel	72026
127	Closingring, stainless steel	74043
128	Sealingring hotwatercontainer	60036
129	Silicon sealing disc	60060
135	Springwasher M4	74020
136	Outlet, chromium plated	54920
137	Screw, 2,9x13	70046
142	Nut chromium plated	54941
143	Security ring, watertap	74065
144	O-ring, 15,55x2,62	63230
145	Watertap	54960
146	Fixing bracket, upper front handle	51670
148	Housing, black, 490mm	57017
↳	Housing, cream, 490mm	57022
149	Housing, black, 490mm	57015
↳	Housing, cream, 490mm	57020
150	Housing, black	57015
↳	Housing, cream, 490mm	57020
151	Sealingring, black	11396
157	Rear panel, black	11189
158	Rubber feet	61150
159	Flex with plug, 3x1,5, black	44085
↳	Flex with plug, 3x1,5, black (UK)	44064
160	Baseplate, black	55437
↳	Baseplate, cream	55436
161	Adhesive clip 18mm	75020

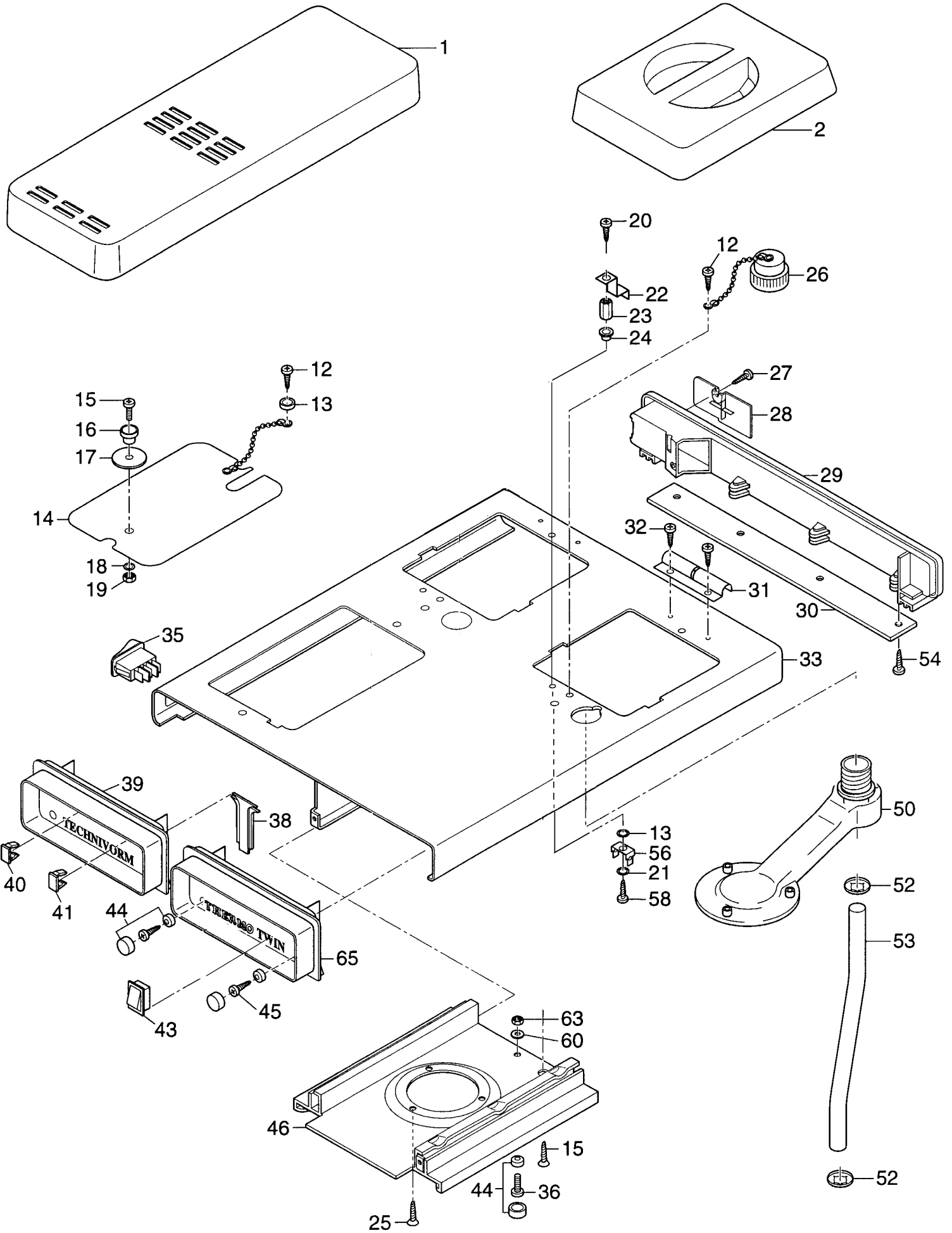


the coffemaker makers.

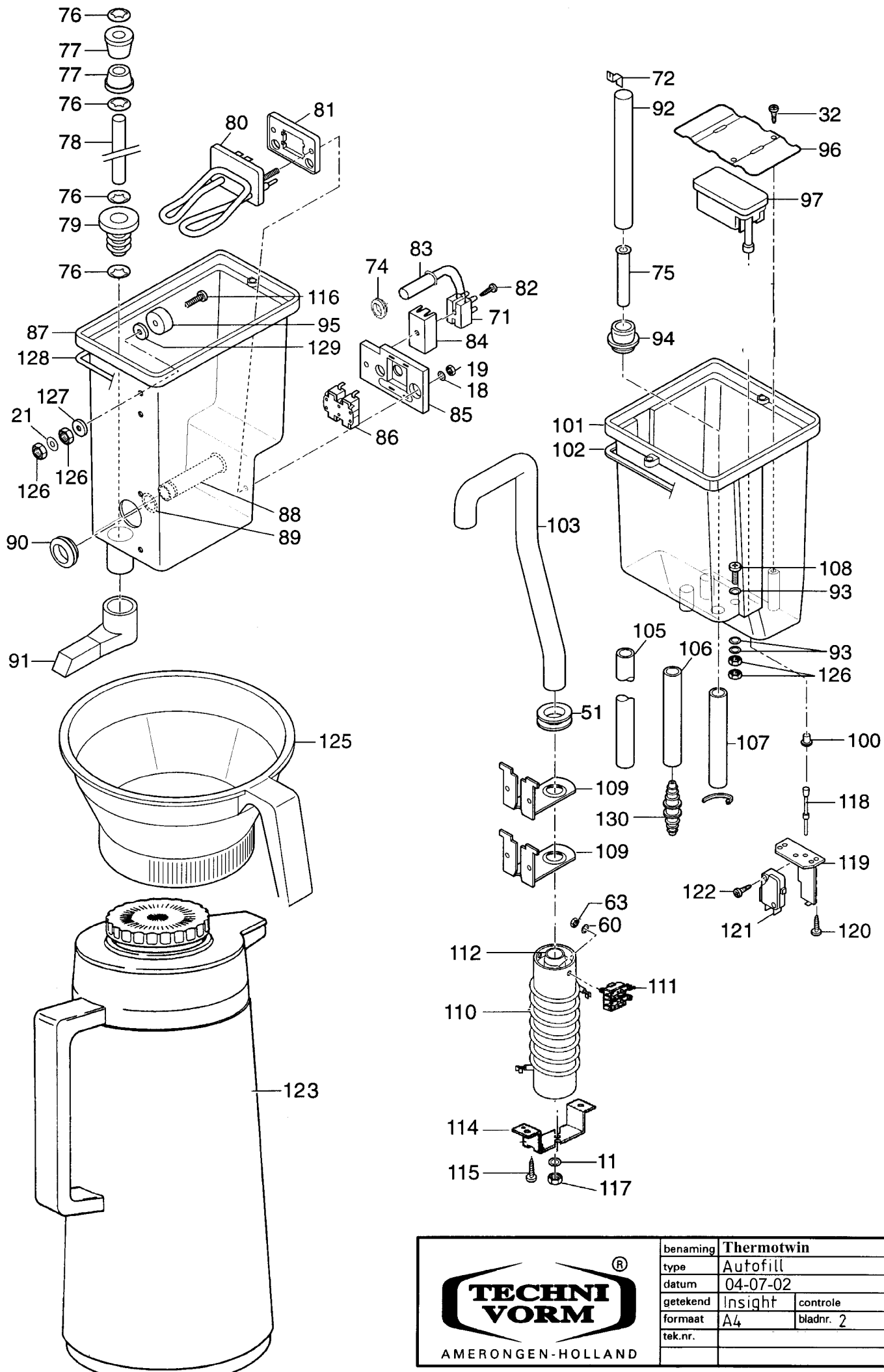
AMERONGEN - HOLLAND


SPARELIST FOR THERMOTWIN MANUAL

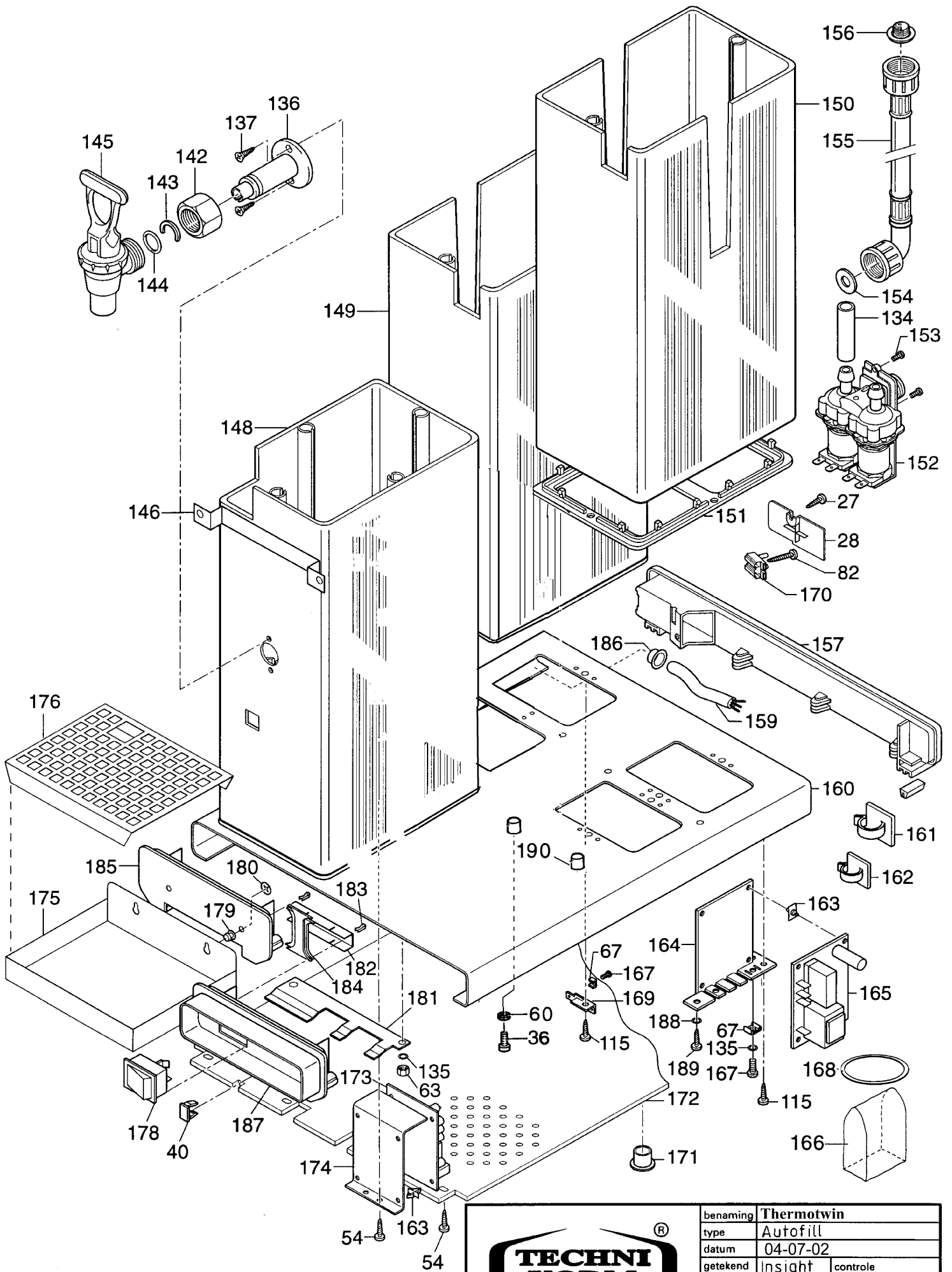
Item.	Description.	Code.
162	Adhesive clip 6mm.....	75040
163	Printed circuit board support.....	48050
164	Fixingplate, circuit board.....	54010
167	Bolt M4x10, taptite.....	71010
169	Earth terminal.....	54171
170	Block terminal.....	46060
172	Bottom plate.....	11361
173	Printed circuit board, hotwater machine.....	48010/A
174	Fixing plate circuit board.....	54020
175	Drip tray.....	54875
176	Grid drip tray.....	54885
178	Main switch, black, illum.....	43151
179	Bolt drip tray.....	71300
180	Fastener 3mm, stainless steel.....	78265
181	Fixation bracket, lower front handle.....	51661+51662
182	Aluminium profile.....	50350
183	Spring clip.....	78210
184	Insert, black.....	11142
185	Front handle, drip tray.....	11125
186	Flex go-through, black.....	11246
187	Lower front handle, black.....	11761
188	Springwasher M5.....	74024
189	Screw M5x10, taptite.....	71070
190	Butt.....	54521




<p>AMERONGEN-HOLLAND</p>	benaming	Thermotwin	
	type	autofill	
	datum	04-07-02	
	getekend	Insight	controle
	formaat	A4	bladnr. 1
	tek.nr.		



 AMERONGEN-HOLLAND	benaming	Thermotwin	
	type	Autofill	
	datum	04-07-02	
	getekend	Insight	controle
	formaat	A4	bladnr. 2
	tek.nr.		



		benaming	Thermotwin	
		type	Autofill	
		datum	04-07-02	
		getekend	Insight	controle
		formaat	A4	bladnr. 3
		tek.nr.		
AMERONGEN-HOLLAND				

SPARELIST FOR THERMOTWIN AUTOFILL

Item.	Description.	Code.
001	Lid hotwater machine, black	13070
002	Lid coldwater container, black	13061
011	Nut M6.....	72035
012	Parker 4,2x19, stainless steel.....	70010
013	Rubber sealing washer	12020
014	Lid hotwater container (incl. item 15,16,17,18,19).....	56951
015	Screw M4x12, stainless steel.....	71005
016	Notched knob, black	12840
017	Knob insulating disc, black.....	12841
018	Spring washer, M4, stainless steel	74022
019	Nut M4, stainless steel.....	72045
020	Bolt M3x6, stainless steel	71048
021	Toothed washer M3	74015
022	Sensor autofill system.....	56540
023	Spacer, nickel plated.....	78320
024	Insulating bush.....	62430
025	Parker 4,2x16, stainless steel.....	70030
026	Drainplug complete, black.....	11516
027	Parker 3,5x13.....	70055
028	Cover flex go-through, black	11247
029	Rear panel, black	11193
030	Cover strip.....	54290
031	Hinge.....	54100
032	Notchscrew 2,9x6,5, stainless steel.....	73060
033	Upper base, assembly, black, autofill	55464
↳	Upper base, assembly, cream, autofill.....	55463
035	Illuminated switch, black	43042
036	Screw M4x8	71045
038	Insert, black.....	11141
039	Upper front handle, black.....	11765
040	Cover scale indicator	43671
041	Cover brewing indicator	43668
043	Push button switch, autofill	43200
044	Capring grey.....	12333
045	Bolt M4x8, stainless steel	71046
046	Filterholder black.....	55863
050	Outletpipe complete	11502
051	Rubber adapter	62100
052	Fastener 15mm, stainless steel	78255
053	Bended watertransportpipe, 413mm.....	56896
↳	Bended watertransportpipe, 413mm, Norway	56897
054	Parker 3,5x9,5.....	70050
056	U-shaped tab.....	46041
058	Bolt M3x10	71128
060	Toothed washer M4	74010
063	Nut M4.....	72015
065	Upper front handle thermotwin, black.....	11785
067	Earth clip	54161
071	Block terminal.....	46070
072	Spring overflowpipe	54455
074	Grommet 10x13	62170
075	Chromium connectiontube overflowpipe.....	51036
076	Fastener 10mm, stainless steel	78260
077	Handle overflow	16020
078	Overflow (incl. 076, 077, 078).....	56801
079	Rubber sealing overflow	60025



the coffemaker makers.

AMERONGEN - HOLLAND

SPARELIST FOR THERMOTWIN AUTOFILL

Item.	Description.	Code.
080	Heating element hotwatercontainer	45090
081	Silicon sealing heating element	60020
082	Parker 2,9x19.....	70065
083	Temperature sensor.....	46310/A
084	Fixation block terminal	11240
085	Fixation flange.....	16460
086	Temperature safety device	46351
087	Hotwater container.....	11068-A
↳	Hotwater container complete incl:	11074
	018, 019, 021, 071, 074, 080-087, 090, 116, 126-129	
088	Outletpipe connection	54925
089	O-ring 13x2,5	63220
090	Rubber sealingring	62100
091	Rubber overflow tube	60180
092	Overflowpipe	11550
093	Fiberring 3x5mm	63110
094	Rubber adapter	60010
095	Bush	16640
096	Floathood	54125
097	Float	12235
100	Tightening socket.....	12220
101	Coldwater container.....	11051
↳	Coldwater container, Norway.....	11055
102	Sealingring coldwater container.....	60035
103	Bended overflowpipe	51109
105	Rubber tube 380mm	60091
106	Rubber tube 225mm	60085
107	Silicon overflow tube, 400mm.....	64120
108	Screw M3x12, stainless steel.....	71100
109	Fixation bracket.....	56611
110	Boiling element 2200/240V	45203
↳	Boiling element 2200/230V	45209
111	Thermostat/thermo-fuse.....	46260
112	Grommet	62105
114	Elementbracket	51489
115	Screw + springwasher.....	70081
116	Bolt M3x20, stainless steel	71110
117	Nut M6x5	72035
118	Switch pawl	54155
119	Fixingplate microswitch.....	54151
120	Notchscrew 2,9x6,5	73050
121	Microswitch	43305
122	Selftapping screw M3x16.....	73000
123	Airpot 1,8 ltr.....	80710
125	Filterholder, black.....	13271
126	Nut M3, stainless steel.....	72026
127	Closingring, stainless steel	74043
128	Sealingring hotwatercontainer	60036
129	Silicon sealing disc.....	60060
130	Tube connector	88495
134	Rubber tube, 85mm	60125
135	Springwasher M4	74020
136	Outlet, chromium plated.....	54920
137	Screw, 2,9x13	70046
142	Nut chromium plated.....	54941
143	Security ring, watertap	74065



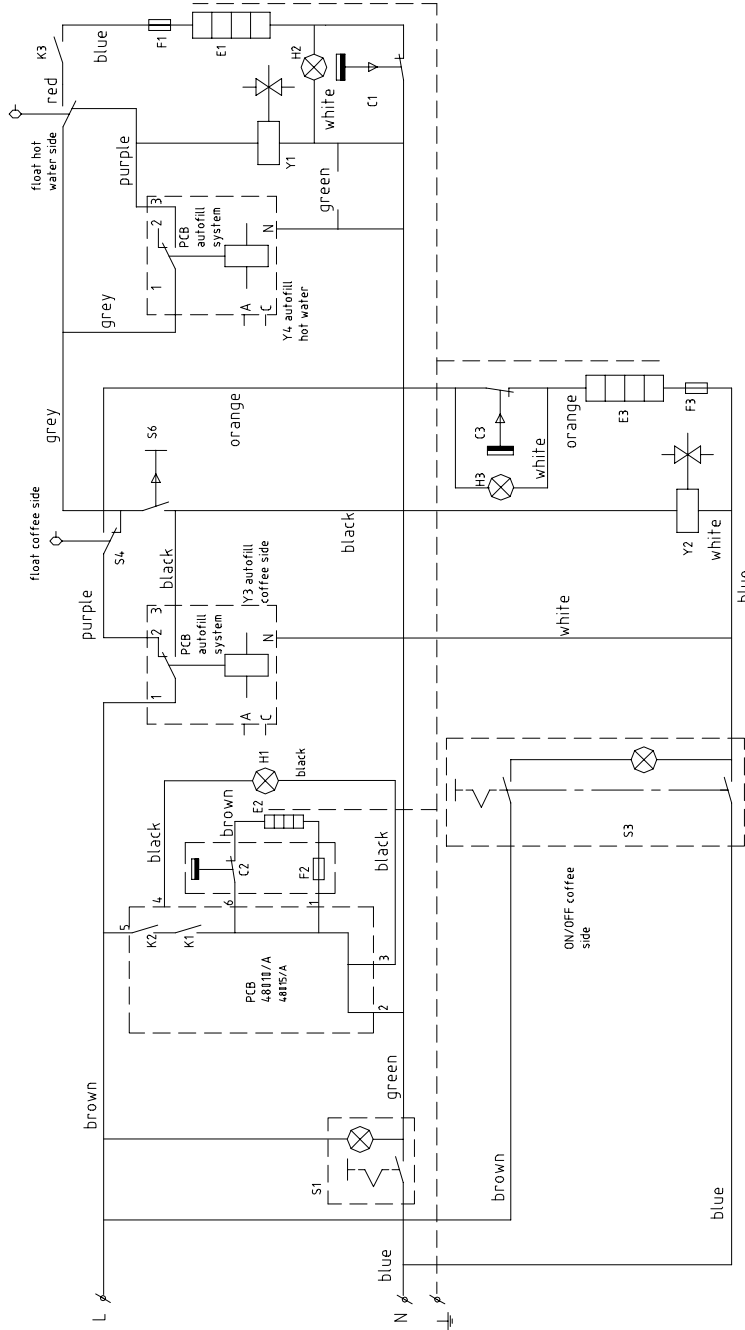
the coffemaker makers.

AMERONGEN - HOLLAND

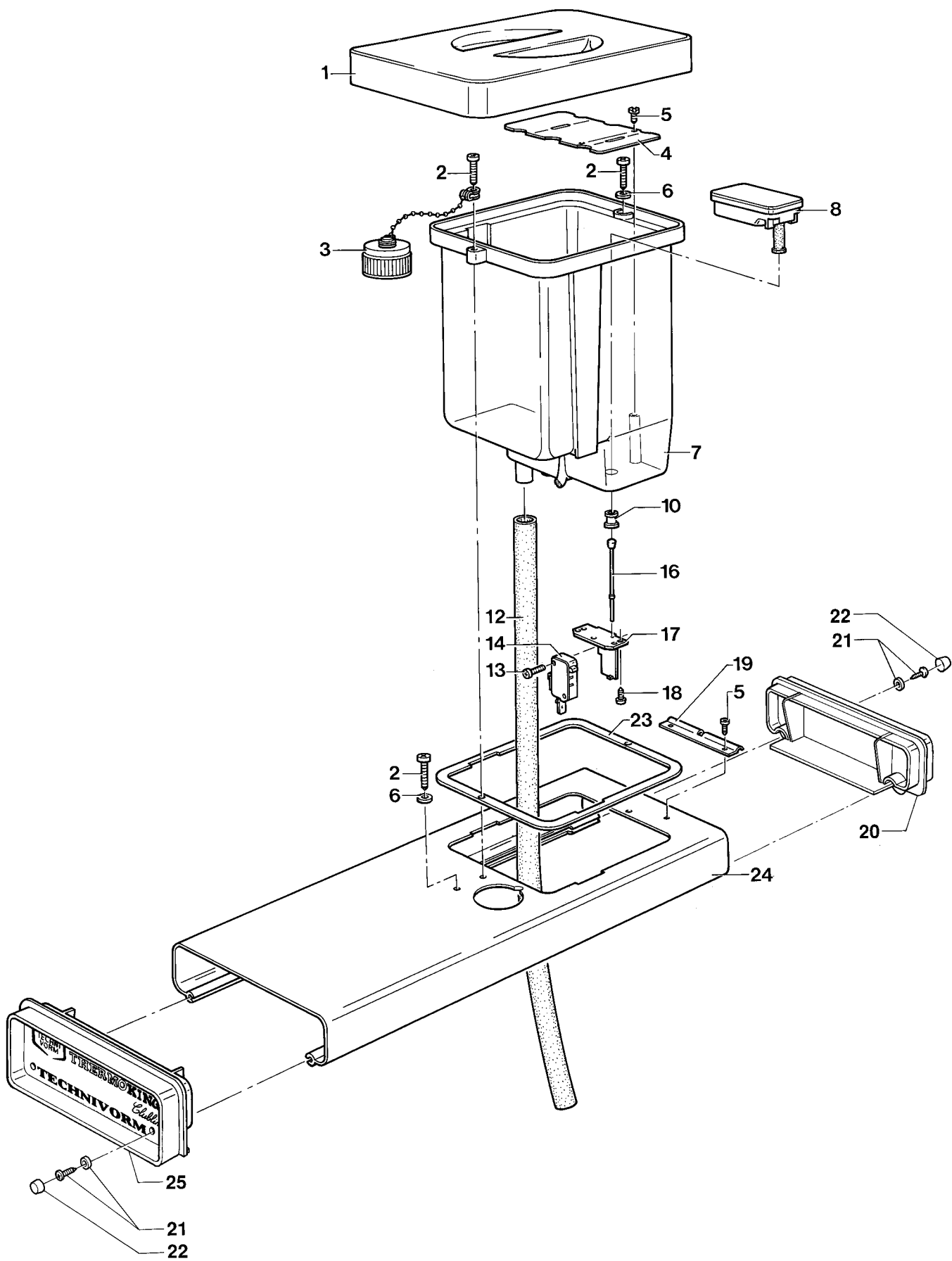
SPARELIST FOR THERMOTWIN AUTOFILL


Item.	Description.	Code.
144	O-ring, 15,55x2,62	63230
145	Watertap.....	54960
146	Fixing bracket, upper front handle	51670
148	Housing, black, 490mm	57017
↳	Housing, cream, 490mm.....	57022
149	Housing, black, 490mm	57015
↳	Housing, cream, 490mm.....	57020
150	Housing, black	57016
↳	Housing, cream, 490mm.....	57021
151	Sealingring, black.....	11396
152	Inlet valve	88405
153	Screw M4x10	71030
154	Rubber sealingring ¾.....	62360
155	Watertube, 1½ mtr.	62330
156	Strainer.....	62370
157	Rear panel, black	11188
158	Rubber feet	61150
159	Flex with plug, 3x1,5, black.....	44085
↳	Flex with plug, 3x1,5, black (UK)	44064
160	Baseplate, black.....	55437
↳	Baseplate, cream	55436
161	Adhesive clip 18mm.....	75020
162	Adhesive clip 6mm.....	75040
163	Printed circuit board support.....	48050
164	Fixingplate, circuit board	54011
165	Printed circuit board, autofill system	48040
166	Protection foil	88250
167	Bolt M4x10, taptite	71010
168	Rubber ring	63290
169	Earth terminal.....	54171
170	Block terminal.....	46060
171	Copper tube	51030
172	Bottom plate	11366
173	Printed circuit board, hotwater machine	48010/A
174	Fixing plate circuit board	54020
175	Drip tray.....	54875
176	Grid drip tray	54885
178	Main switch, black, illum.	43151
179	Bolt drip tray.....	71300
180	Fastener 3mm, stainless steel	78265
181	Fixation bracket, lower front handle	51660
182	Aluminium profile	50350
183	Spring clip	78210
184	Insert, black.....	11142
185	Front handle, drip tray.....	11125
186	Flex go-through, black	11246
187	Lower front handle, black.....	11761
188	Springwasher M5	74024
189	Screw M5x10, taptite	71070
190	Butt.....	54521

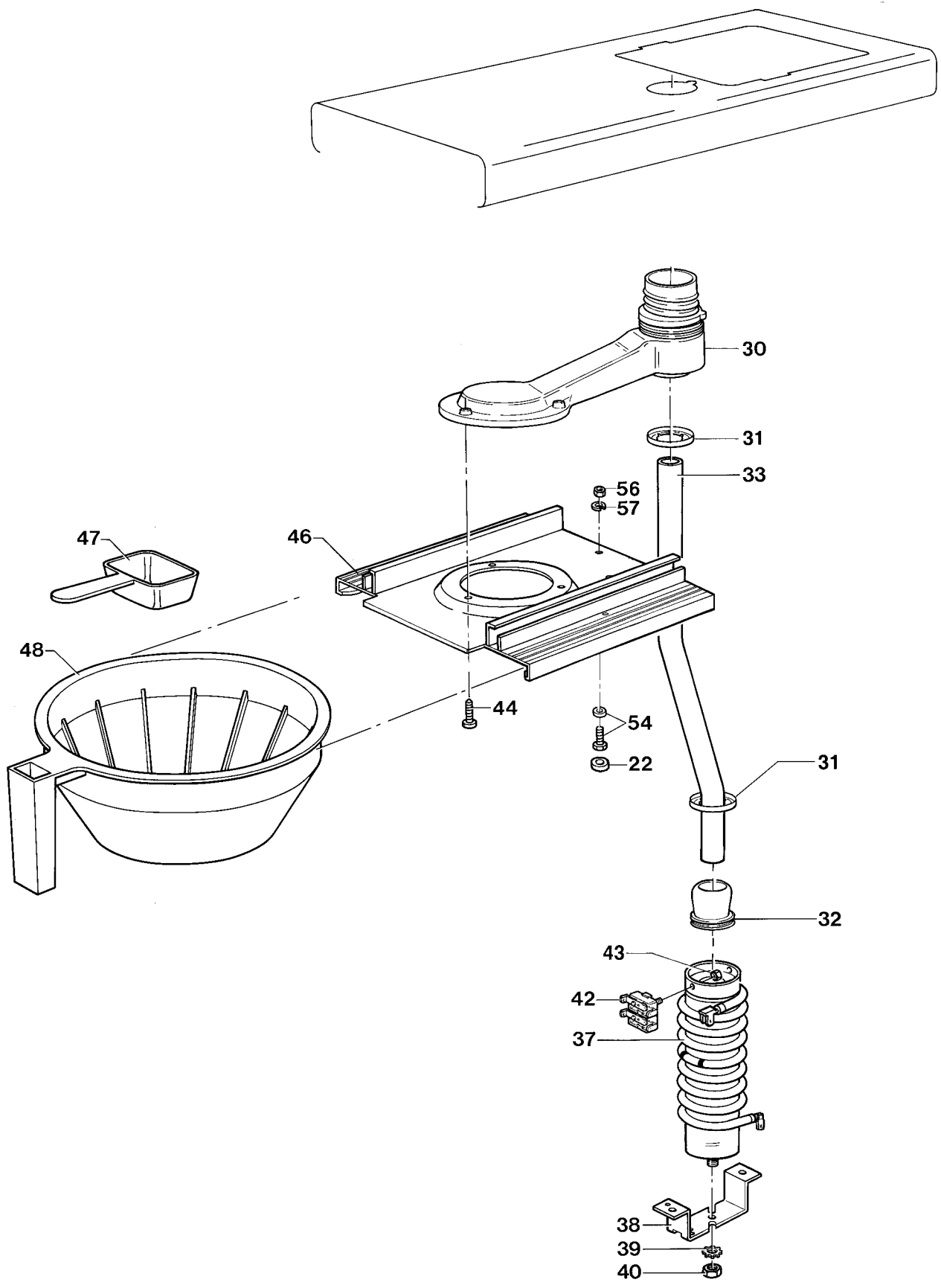
THERMOTWIN AUTOFILL - electrical diagram




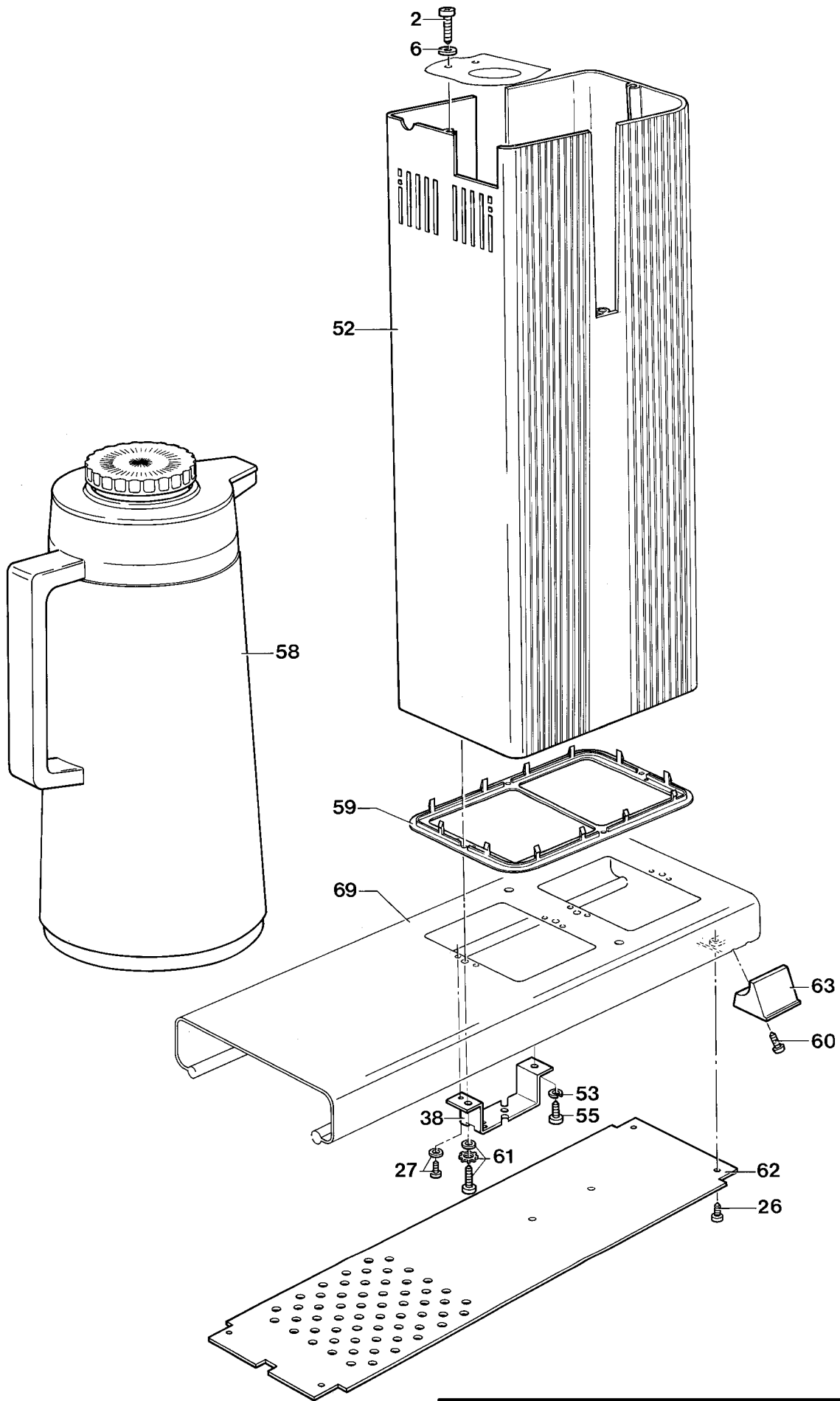
- S1 : ON/OFF switch hot water
 - S3 : ON/OFF switch coffee side
 - S4 : float switch coffee side
 - S5 : float switch hot water
 - S6 : push button autofill coffee side
 - C1 : thermostat 145C
 - C2 : " 120c
 - C3 : " 145c
 - E1 : elem. 2200W/230V
 - E2 : elem. 450W/240V
 - E3 : elem. 2200W/230V
 - F1 : T.C.O. 260C
 - F2 : T.C.O. 206C
 - F3 : T.C.O. 260C
 - H1 : ready for use
 - H2 : descale
 - H3 : descale
 - Y1 : inlet valve hot water
 - Y2 : inlet valve coffee side
 - Y3 : autofill relay coffee side
 - Y4 : autofill relay hot water
- PCB: HW/MT 48110/A-4815/A




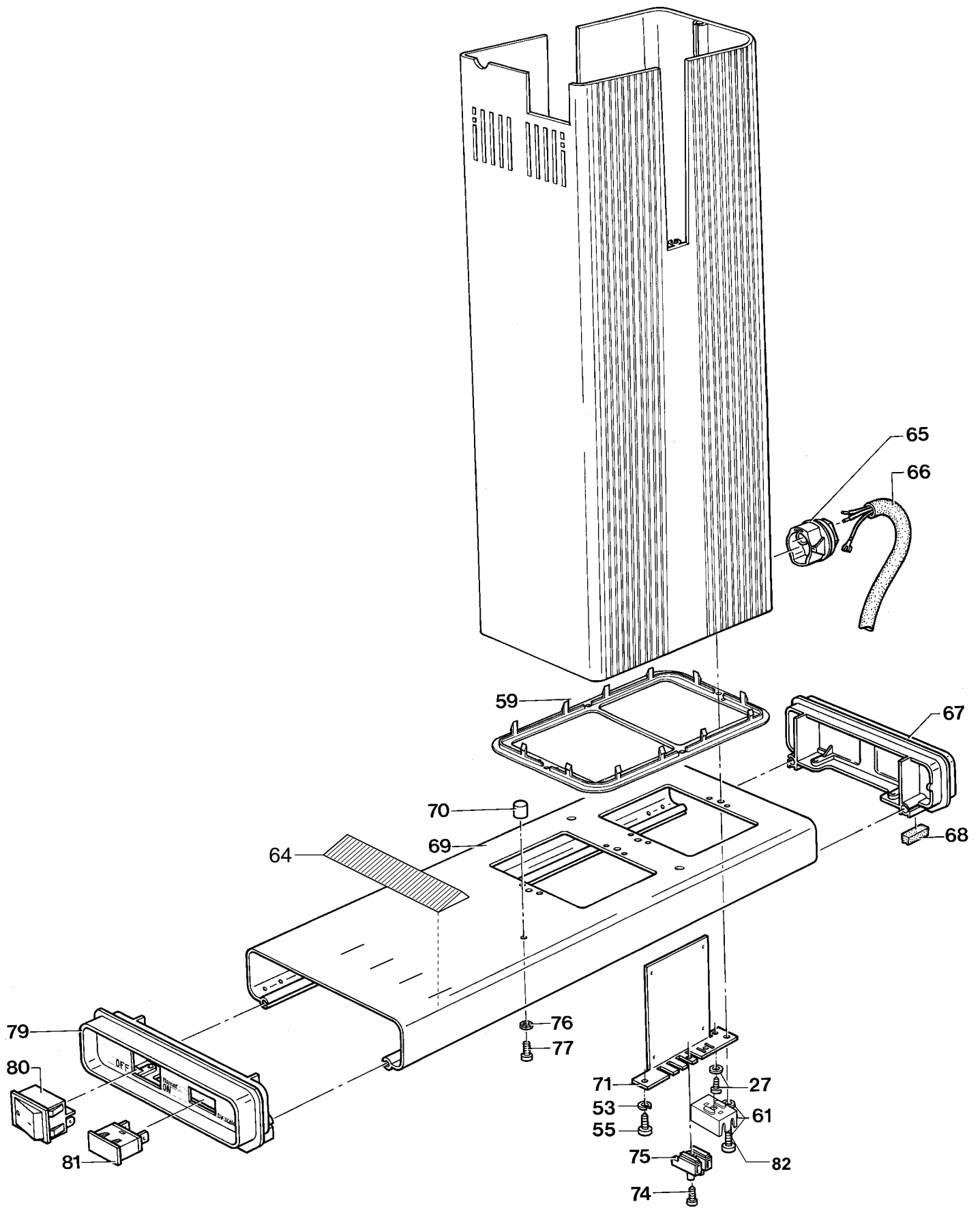
 TECHNI VORM [®] AMERONGEN-HOLLAND		benaming	Thermoking
		type	met stootstrip
		datum	08 - 11 - 00
		getekend	controle
		formaat	A4 bladnr. 1
		tek.nr.	EV 0011 TK-1




 TECHNI VORM AMERONGEN-HOLLAND	benaming	Thermoking	
	type	met stootstrip	
	datum	21-06-02	
	getekend		controle
	formaat	A4	bladnr. 2
	tek.nr.	EV 0011 TK-2	



 TECHNI VORM [®] AMERONGEN-HOLLAND	benaming	Thermoking	
	type	met stootstrip	
	datum	08 - 11 - 00	
	getekend		controle
	formaat	A4	bladnr. 3
	tek.nr.	EV 0011 TK-3	



 TECHNI VORM AMERONGEN-HOLLAND	benaming	Thermoking
	type	met stootstrip
	datum	08 - 11 - 00
	getekend	controle
	formaat	A4 bladnr. 4
tek.nr.	EV 0011 TK-4	



the coffemaker makers.

AMERONGEN - HOLLAND

Item.	Description.	Code.
001	Lid coldwatercontainer, black.....	13061
002	Screw 4,2x19, stainless steel.....	70010
003	Drainplug black	11516
004	Float hood	54125
005	Screw, 2,9x6,5, stainless steel.....	73060
006	Sealing washer.....	12020
007	Cold water container	11050
008	Float	12235
010	Tightening socket.....	12220
012	Rubber tube, 380mm	60091
013	Screw, M3x16	73000
014	Microswitch 16 amp.	43335
016	Switch pawl.....	54155
017	Fixingplate microswitch.....	54151
018	Screw, 2,9x6,5	73050
019	Hinge.....	54100
020	Upper rear handle, black.....	11756
021	Screw with capring.....	70140
022	Cap, grey.....	12333
↳	Cap, black	12332
023	Sealing ring coldwatercontainer.....	60035
024	Upper base plate, black	55077
↳	Upper base plate, cream.....	55067
↳	Upper base plate, blue.....	55069
↳	Upper base plate, silver polished.....	55063
025	Upper front handle, black.....	17862
026	Plastite screw, M3x8.....	71060
027	Screw with lock washer.....	73031
030	Outletpipe.....	11502
031	Fastener, 15mm	78255
032	Grommet	62105
033	Bended watertransport pipe.....	56896
↳	Bended watertransport pipe, Norway.....	56892
037	Boiling element, 2200W-230V	45208
↳	Boiling element, 2200W-240V	45202
038	Elementbracket.....	51485
039	Lock washer, M6.....	74025
040	Nut, M6x5.....	72035
042	Thermostat/thermofuse combination	46260
043	Nut, M4.....	72015
044	Screw, 4,2x16, stainless steel.....	70030
046	Aluminium filterholder, silver.....	55901
↳	Aluminium filterholder, black.....	55903
↳	Aluminium filterholder, silver, New Zealand.....	55865
047	Measuring spoon.....	88100
↳	Measuring spoon, Norway	88105
↳	Measuring spoon, Sweden, France	88106
048	Filterholder, black.....	13271
↳	Filterholder, black, New Zealand	13275
052	Housing 490mm, black	57375
↳	Housing 490mm, cream.....	57374
↳	Housing 490mm, blue	57379
↳	Housing 490mm, silver polished	57377
↳	Housing 465mm, black, Norway	57385
053	Lock washer, M5.....	74024
054	Screw with capring.....	71145
055	Screw, M5x10	71070



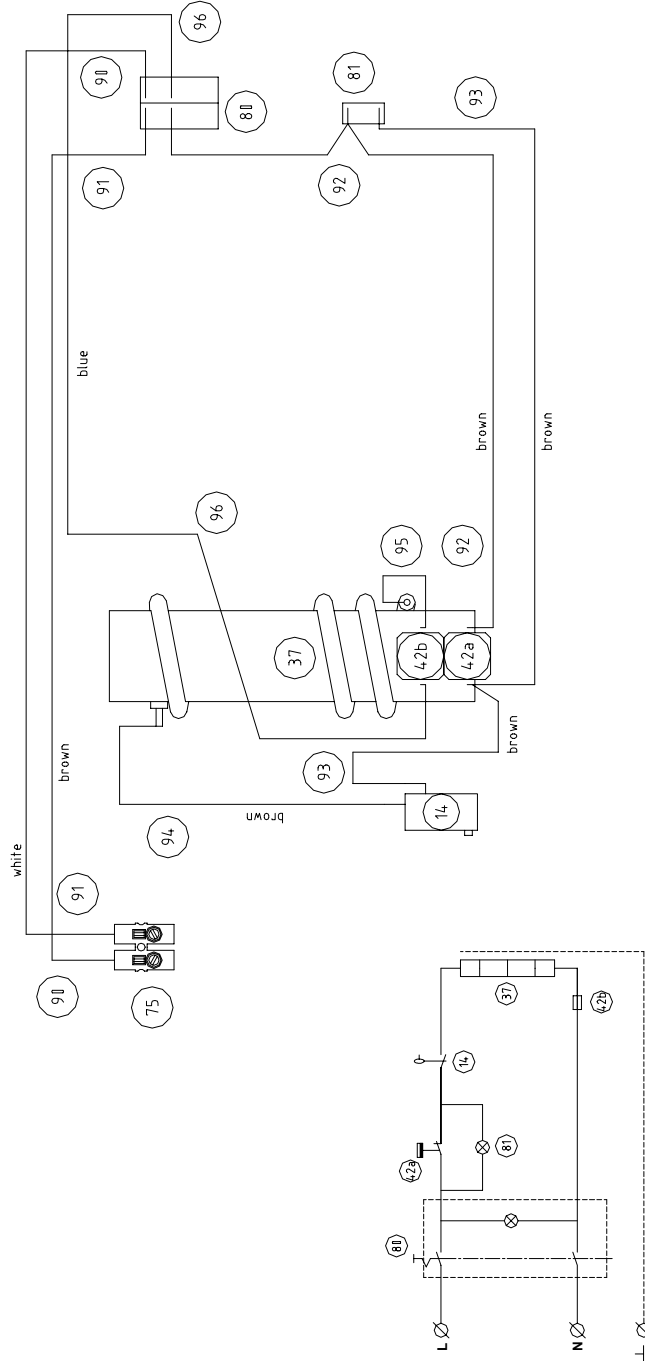
the coffemaker makers.

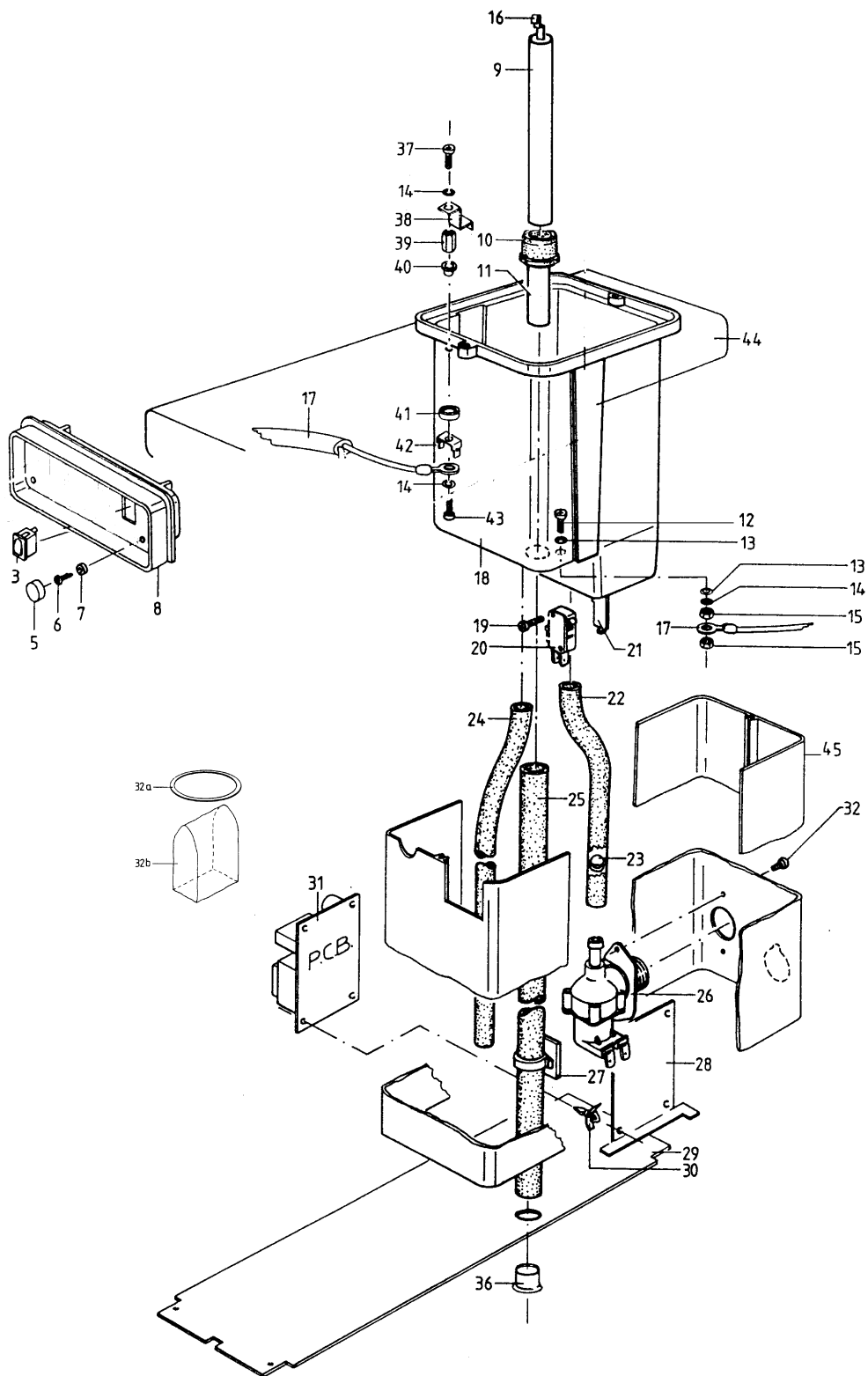
AMERONGEN - HOLLAND

Item.	Description.	Code.
056	Nut, M4.....	72015
057	Lock washer.....	74020
058	Thermojug.....	88700
↳	Airpot.....	88710
059	Sealingring, black.....	11396
060	Screw 3,5x9,5.....	70050
061	Screw with lock washer.....	70081
062	Bottom plate.....	11341
063	Feet, black.....	11271
064	Butt-strap.....	16500
065	Cord anchorage.....	11262
066	Flex with plug, 3x1,5, black.....	44085
↳	Flex with plug, 3x1,5, Australia.....	44083
↳	Flex with plug, 3x1,3, black, England.....	44064
067	Lower rear handle black with feet.....	11715
068	Rubber feet.....	61150
069	Baseplate, cream.....	55011
↳	Baseplate, black.....	55017
↳	Baseplate, silver polished.....	55013
↳	Baseplate, cream (Butt-strap).....	55012
↳	Baseplate, black (Butt-strap).....	55018
↳	Baseplate, silver polished (Butt-strap).....	55015
↳	Baseplate, blue (Butt-strap).....	55016
070	Butt.....	54510
071	Fixingplate, block terminal.....	54010
074	Screw, 2,9x19.....	70065
075	Block terminal.....	46060
↳	Block terminal, Australia.....	46075
076	Lock washer.....	74010
077	Screw, M4x8.....	71045
079	Lower front handle, black.....	11864
↳	Lower front handle (Butt-strap), black.....	11863
↳	Lower front handle, black, France.....	11856
080	Illuminated main switch, black.....	43151
081	Scale indicator lamp.....	43600
082	Fixation block terminal.....	11240

INTERNAL WIRING:

090	White, 400mm.....	40050
091	Brown, 380mm.....	40060
092	Assembly wiring TK 010/A, 380mm (40060) + 125mm (40002)	
093	Assembly wiring TK 010/A, 380mm (40060) + 600mm (40080)	
094	Brown, 540mm.....	40075
095	Blue, 100mm.....	40425
096	Blue, 400mm.....	40420





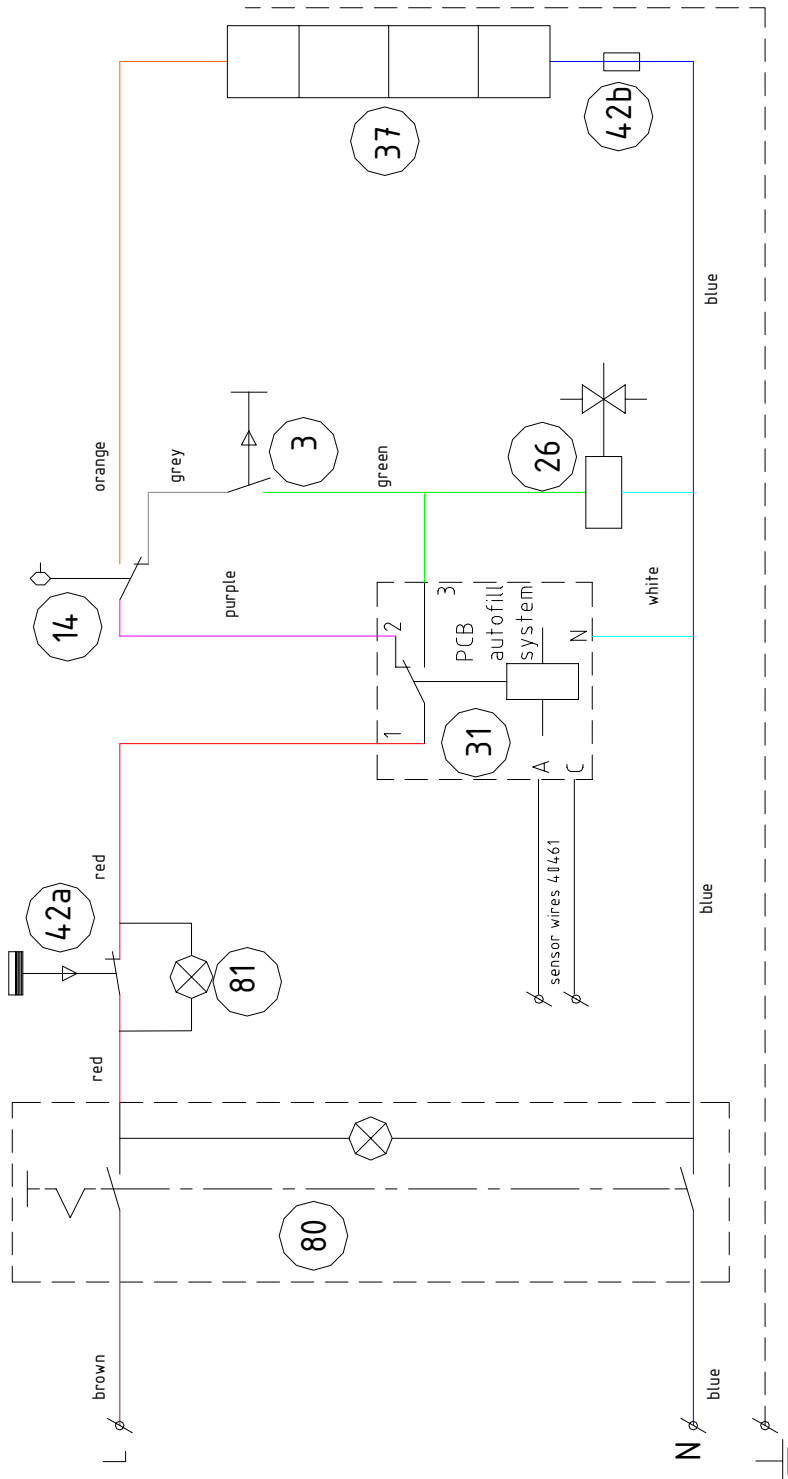


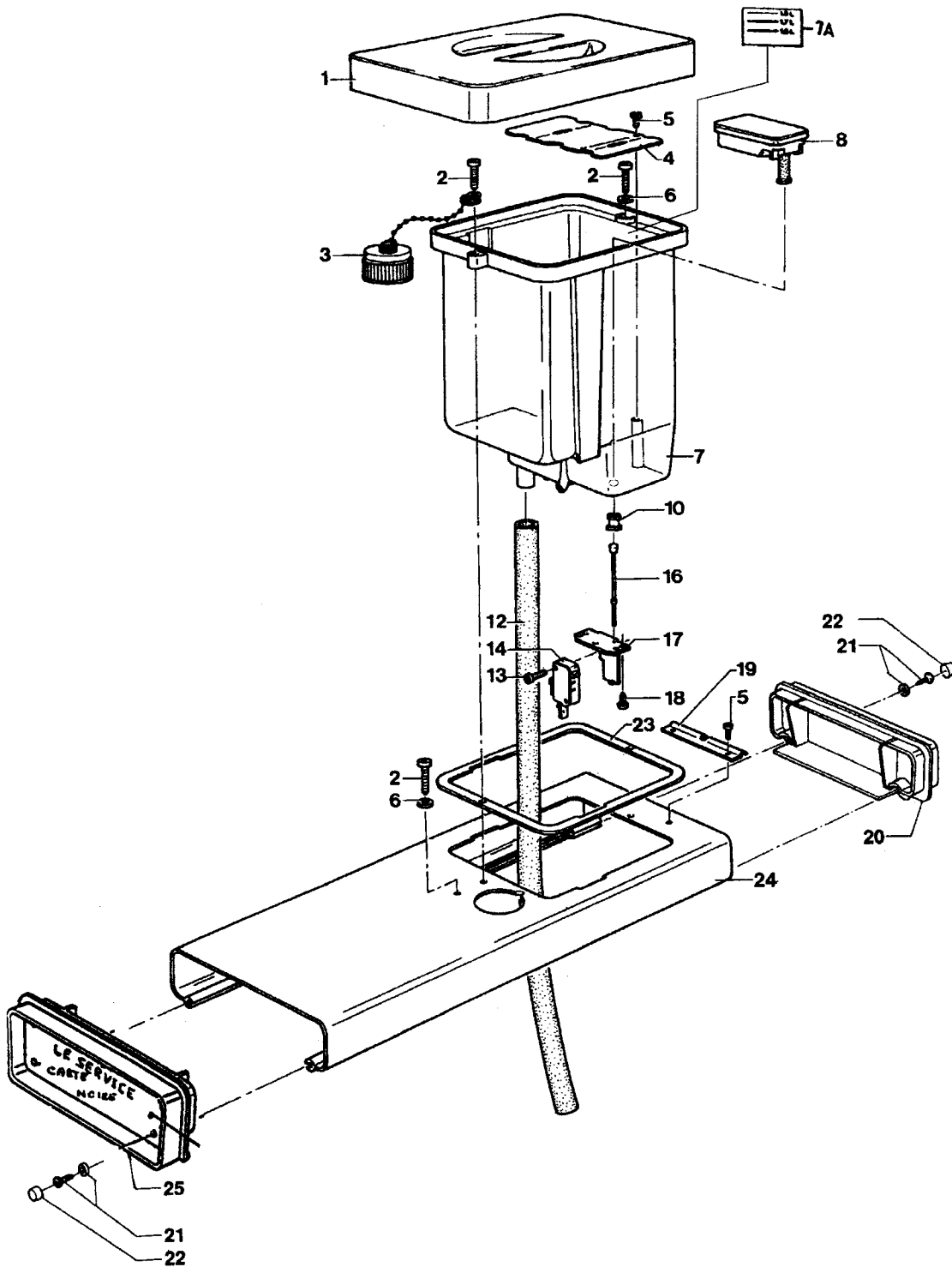
the coffemaker makers.

AMERONGEN - HOLLAND

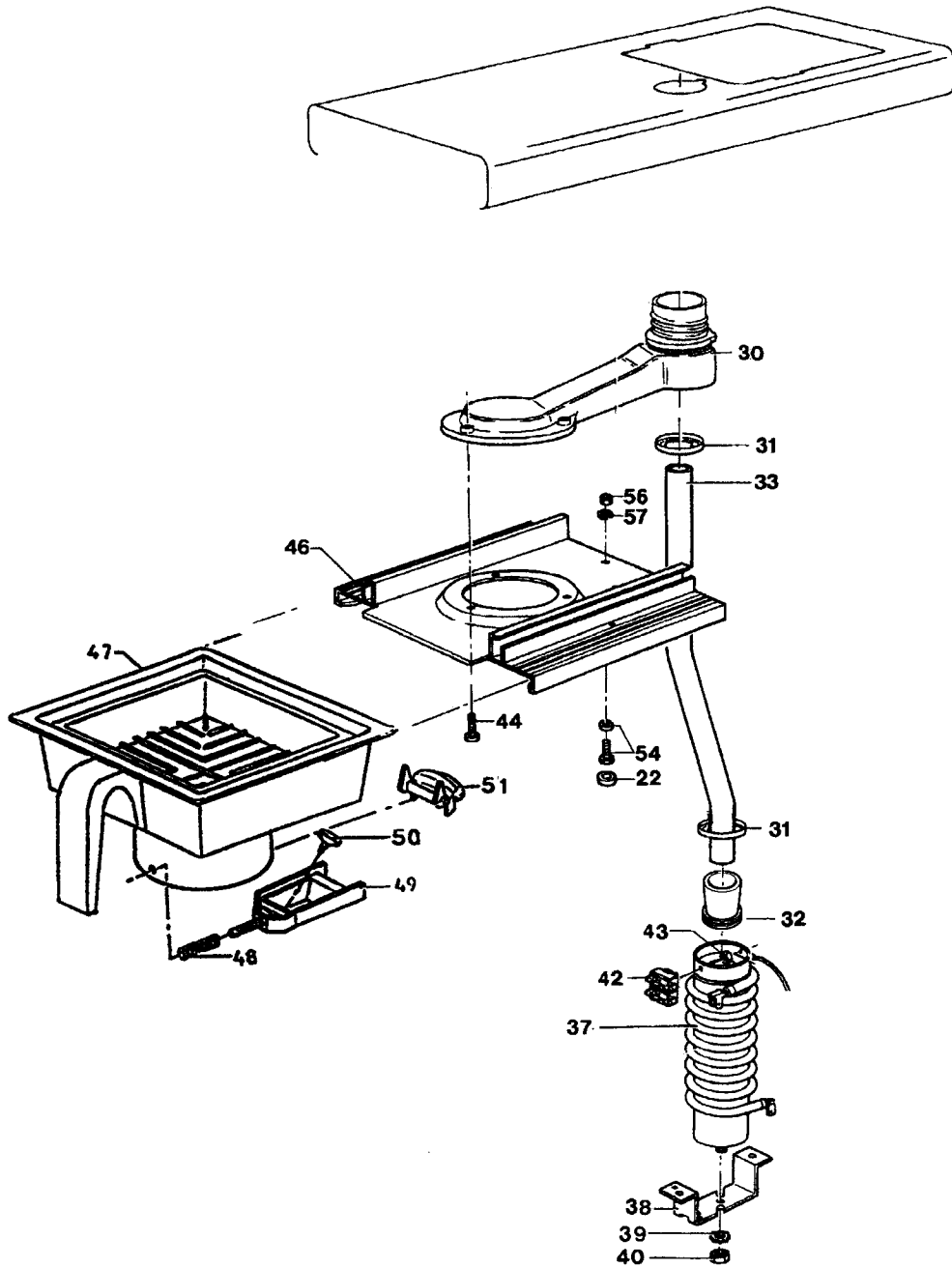
SPARES LIST FOR THERMOKING AUTOFILL

Item.	Description.	Code.
003	Press button switch	43200
005	Capring.....	12333
006	Self tapping screw, 4,2x13	70040
007	Capring.....	12333
008	Upper front handle TK – MF autofill	17936
009	Overflow tube	11550
010	Rubber adapter	60010
011	Overflow connection tube	51036
012	Bolt, M3x12, stainless steel	71100
013	Fiber sealingring, 3mm	63110
014	Toothed washer, 3mm	74015
015	Nut M3, stainless steel.....	72026
016	Clamp overflow tube	54455
017	Internal wiringTK-KJS	42406
↳	Wiring sensor TK	40461
018	Coldwater container, TK	11051
↳	Coldwater container, TK, Norway	11056
019	Screw M3x16	73000
020	Microswitch	43305
021	Fixationplate microswitch.....	54151
022	Connection tube, TK, 240mm	64027
↳	Connection tube, TK, 225mm, Norway.....	60098
023	Flowback stop	88510
024	Rubber tube, TK, 380mm.....	60091
025	Overflow tube, TK, 350mm	64034
026	Inlet valve	88500
027	Adhesive clip	75020
028	Fixingplate.....	54011
029	Bottomplate	11343
030	Printed circuit board support.....	48050
031	Printed circuit board	48040
032a	Rubber ring	63290
032b	Protection foil	88250
032	Bolt, M4x10	71030
033	Strainer.....	62370
034	PEX watertube 3/4"	62330
↳	PEX watertube 1/2", Denmark	62340
035	Sealing watertube 3/4"	62360
036	Fixation overflow tube	51030
037	Bolt, M3x6, stainless steel	71048
038	Sensor	56542
039	Connection nut.....	78320
040	Isolation part.....	62430
041	Sealing washer.....	12020
042	U shaped tab.....	46041
043	Bolt, M3x10	71128
044	Upper baseplate.....	-
045	Housing TK autofill, 465mm, silver polished, Norway.....	57403
↳	Housing TK autofill, 465mm, black, Norway	57405
↳	Housing TK autofill, 490mm, cream.....	57414
↳	Housing TK autofill, 490mm, black	57415

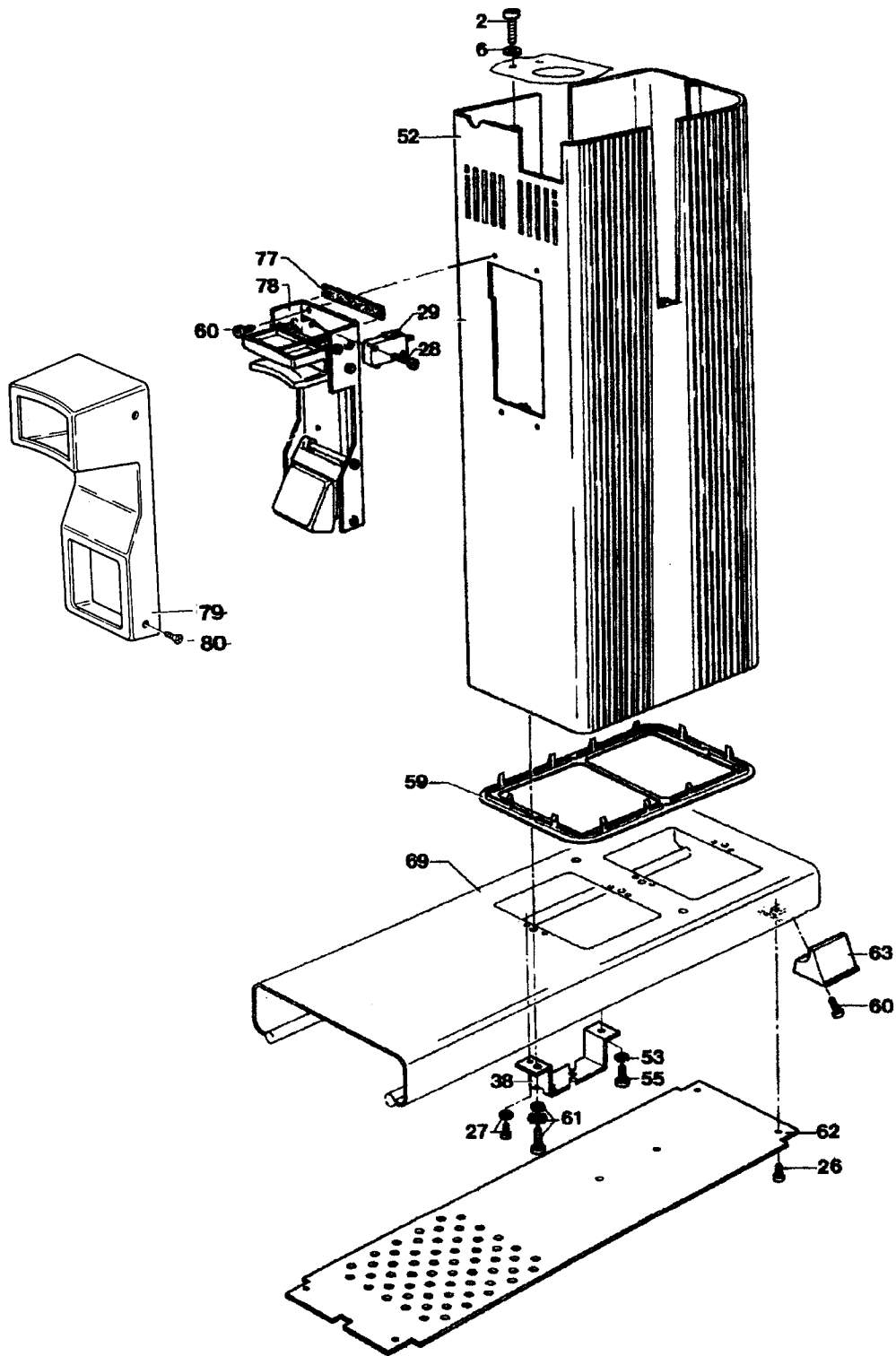




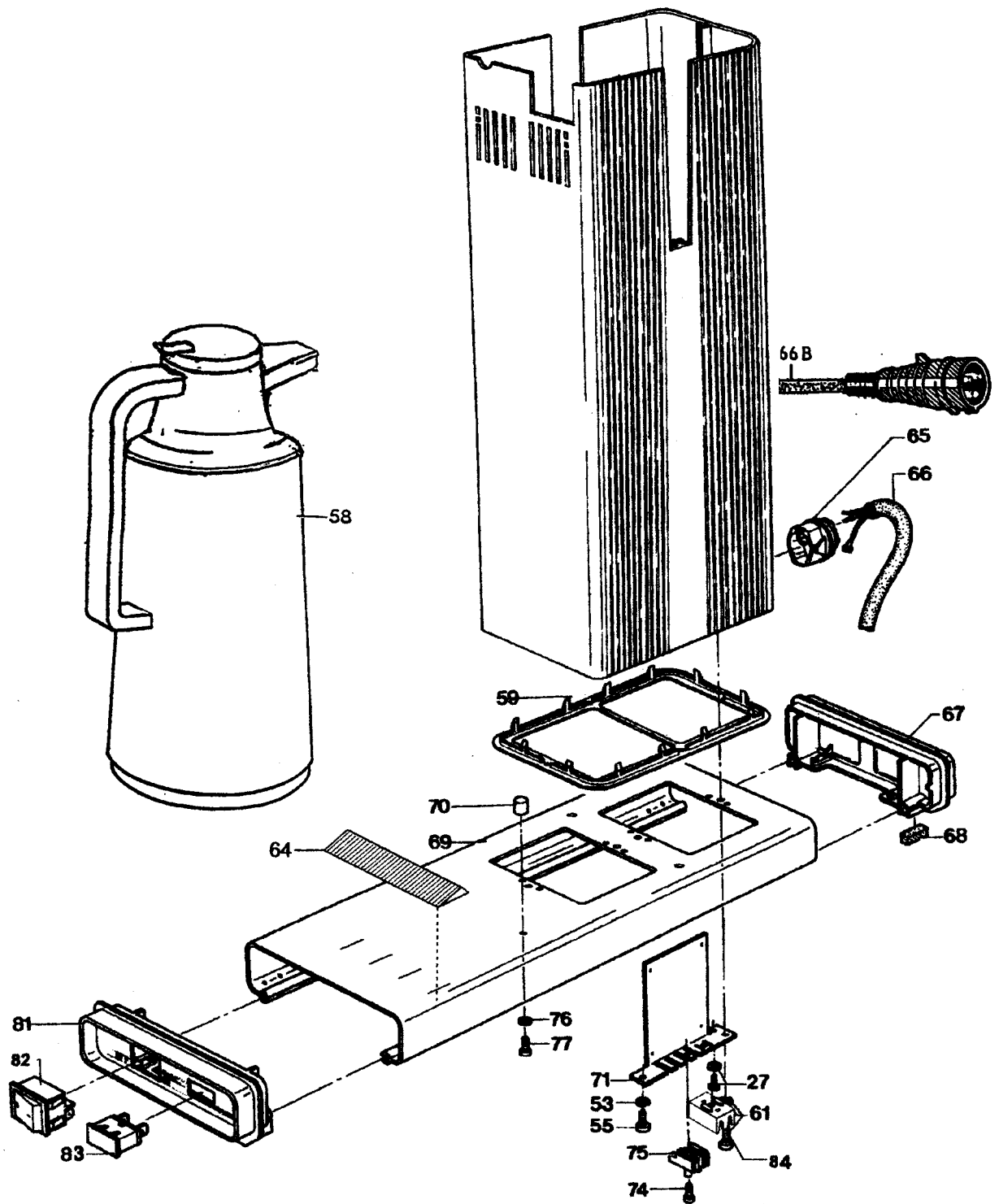
Thermoking "KJS" vue 1



Thermoking "KJS" vue 2



Thermoking "KJS" vue 3



Thermoking "KJS" vue 4



the coffeemaker makers.

AMERONGEN - HOLLAND

SPARES LIST FOR Thermoking-KJS MANUAL

Item.	Description.	Code.
001	Lid coldwatercontainer, black.....	13061
002	Screw 4,2x19, stainless steel.....	70010
003	Drainplug black.....	11516
004	Float hood.....	54125
005	Screw, 2,9x6,5, stainless steel.....	73060
006	Sealing washer.....	12020
007	Cold water container.....	11051
007A	Sticker (Mac Donald).....	81022
↳	Sticker.....	81023
008	Float.....	12235
010	Tightening socket.....	12220
012	Rubber tube, 380mm.....	60091
013	Screw, M3x16.....	73000
014	Microswitch 16 amp.....	43335
016	Switch pawl.....	54155
017	Fixingplate microswitch.....	54151
018	Screw, 2,9x6,5.....	73050
019	Hinge.....	54100
020	Upper rear handle, black.....	11756
021	Screw with capring.....	70140
022	Cap, black.....	12332
023	Sealing ring coldwatercontainer.....	60035
024	Upper base plate, black.....	55077
025	Upper front handle, black.....	11755
↳	Sticker "Conférence".....	81343
026	Plastite screw, M3x8.....	71060
027	Screw with lock washer.....	73031
028	Screw, M3x16.....	73000
029	Microswitch 16 amp.....	43335
030	Outletpipe.....	11502
031	Fastener, 15mm.....	78255
032	Grommet.....	62105
033	Bended watertransport pipe, 388mm.....	56891
037	Boiling element, 1450W-230V.....	45212
038	Elementbracket.....	51485
039	Lock washer, M6.....	74025
040	Nut, M6x5.....	72035
042	Thermostat/thermofuse combination.....	46260
043	Nut, M4.....	72015
044	Screw, 4,2x16, stainless steel.....	70030
046	Aluminium filterholder,black.....	55903
047	Filter holder KJS black, incl. 48, 49, 50, 51.....	13204
048	Spring bolt lock.....	56510
049	Bolt lock black.....	12125
↳	Bolt lock black, incl. 48, 50.....	12046
050	Rubber closing pad.....	60070
051	Operation knob filter lock.....	12124
052	Housing, black.....	57388
053	Lock washer, M5.....	74024
054	Screw with capring.....	71145
055	Screw, M5x10.....	71070
056	Nut, M4.....	72015
057	Lock washer, M4.....	74010
058	Thermojug.....	
059	Sealingring, black.....	11396
060	Screw 3,5x9,5.....	70050



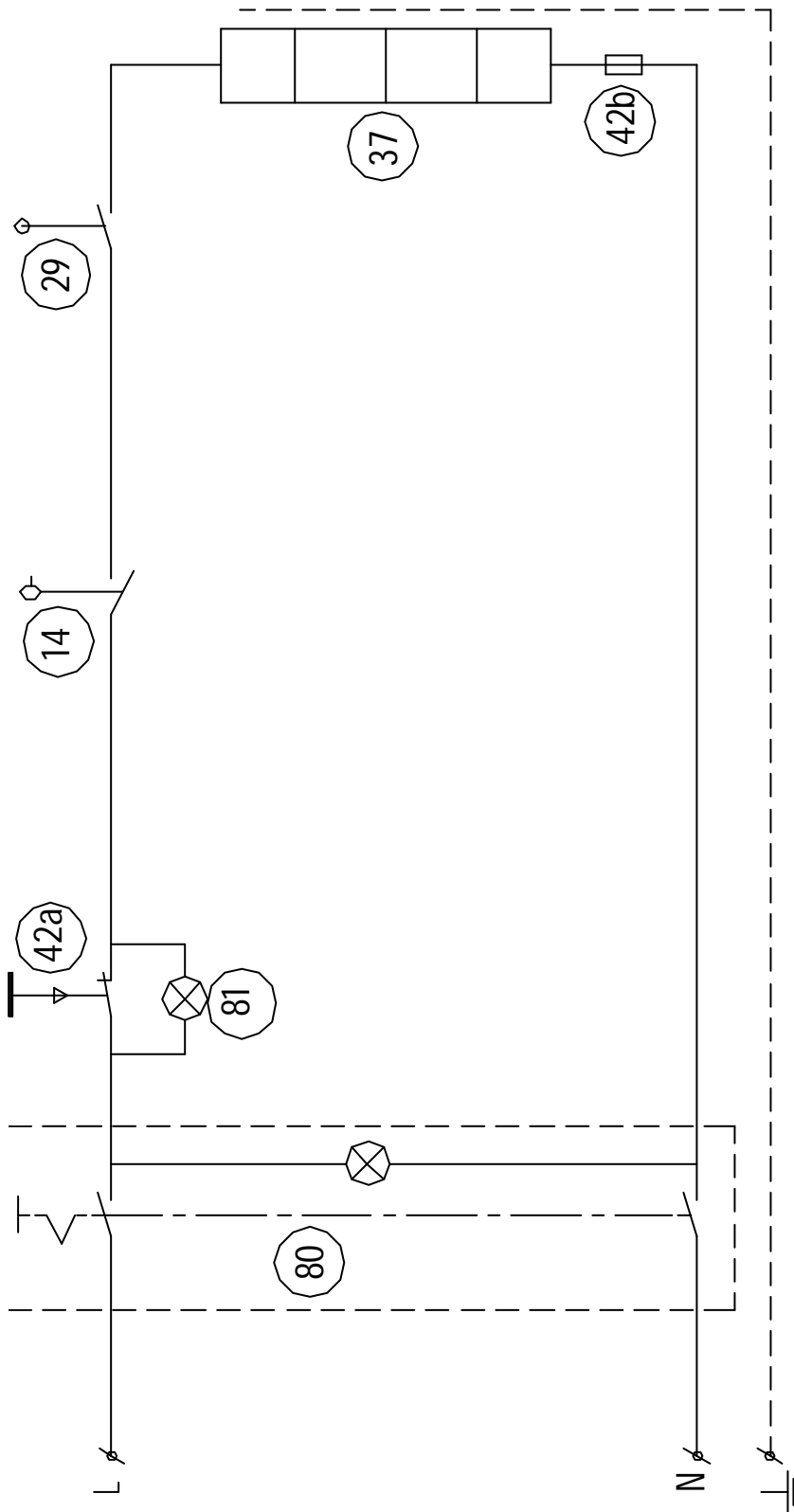
the coffeemaker makers.

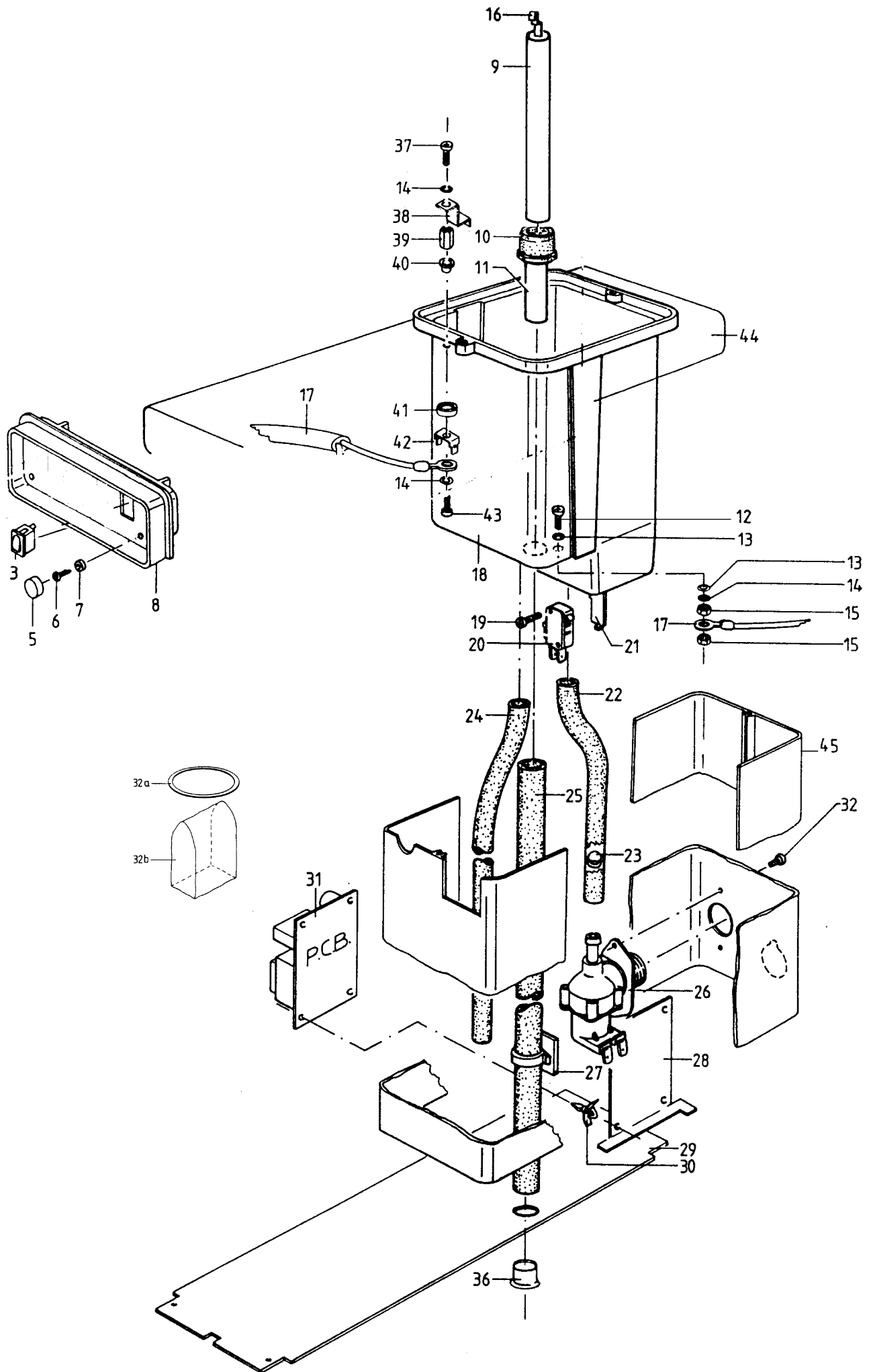
AMERONGEN - HOLLAND

SPARES LIST FOR Thermoking-KJS MANUAL

Item.	Description.	Code.
061	Screw with lock washer	70081
062	Bottom plate	11341
063	Feet, black.....	11271
064	Butt-strap	16500
065	Cord anchorage.....	11262
066	Flex with plug, 3x1, black.....	44045
↳	Flex with plug, 3x1, Mc. D.....	44046
067	Lower rear handle black with feet	11715
068	Rubber feet	61150
069	Baseplate, black	55014
070	Butt.....	54510
071	Fixingplate, block terminal	54010
074	Screw, 2,9x19.....	70065
075	Block terminal	46060
076	Lock washer	74010
077	Rubber sealing	63350
078	Frame bolt lock	54052
079	Housing boltlock, black.....	12129
080	Screw, 2,9x6,5.....	73050
081	Lower front handle, black.....	11867
082	Illuminated main switch, black.....	43151
083	Scale indicator lamp	43600
084	Fixation block terminal.....	11240

Thermoking-KJS MANUAL – electrical diagram







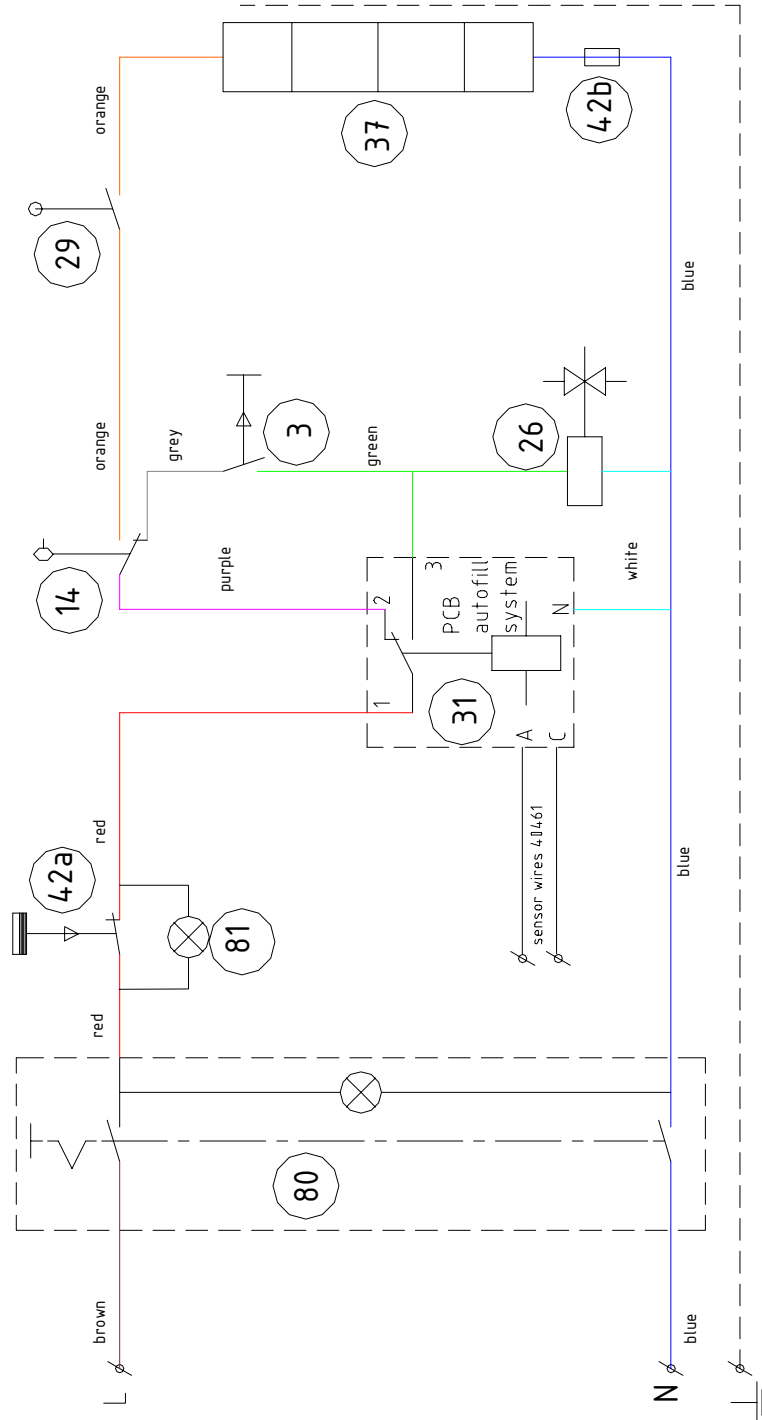
the coffemaker makers.

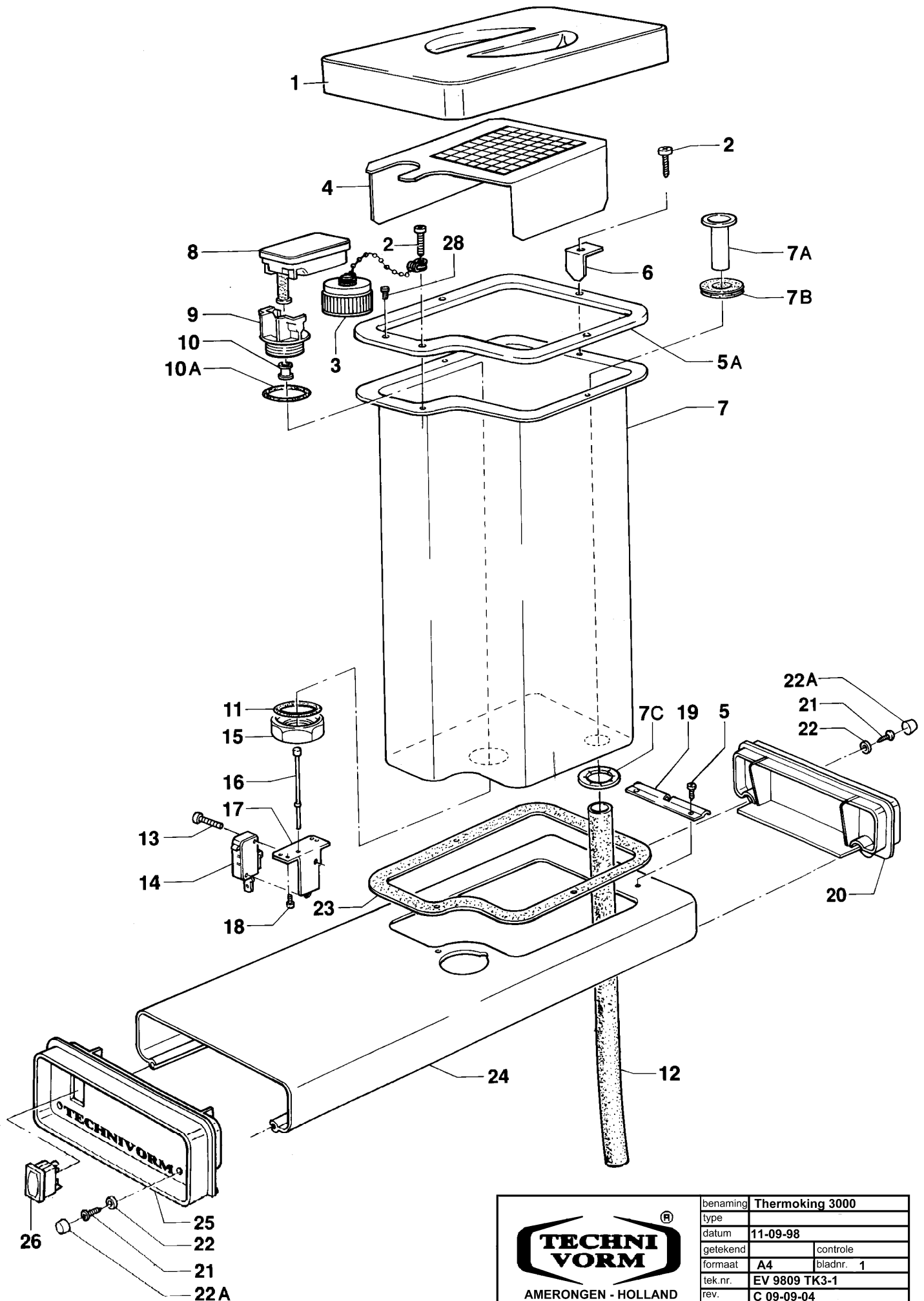
AMERONGEN - HOLLAND

SPARES LIST FOR TK-KJS AUTOFILL

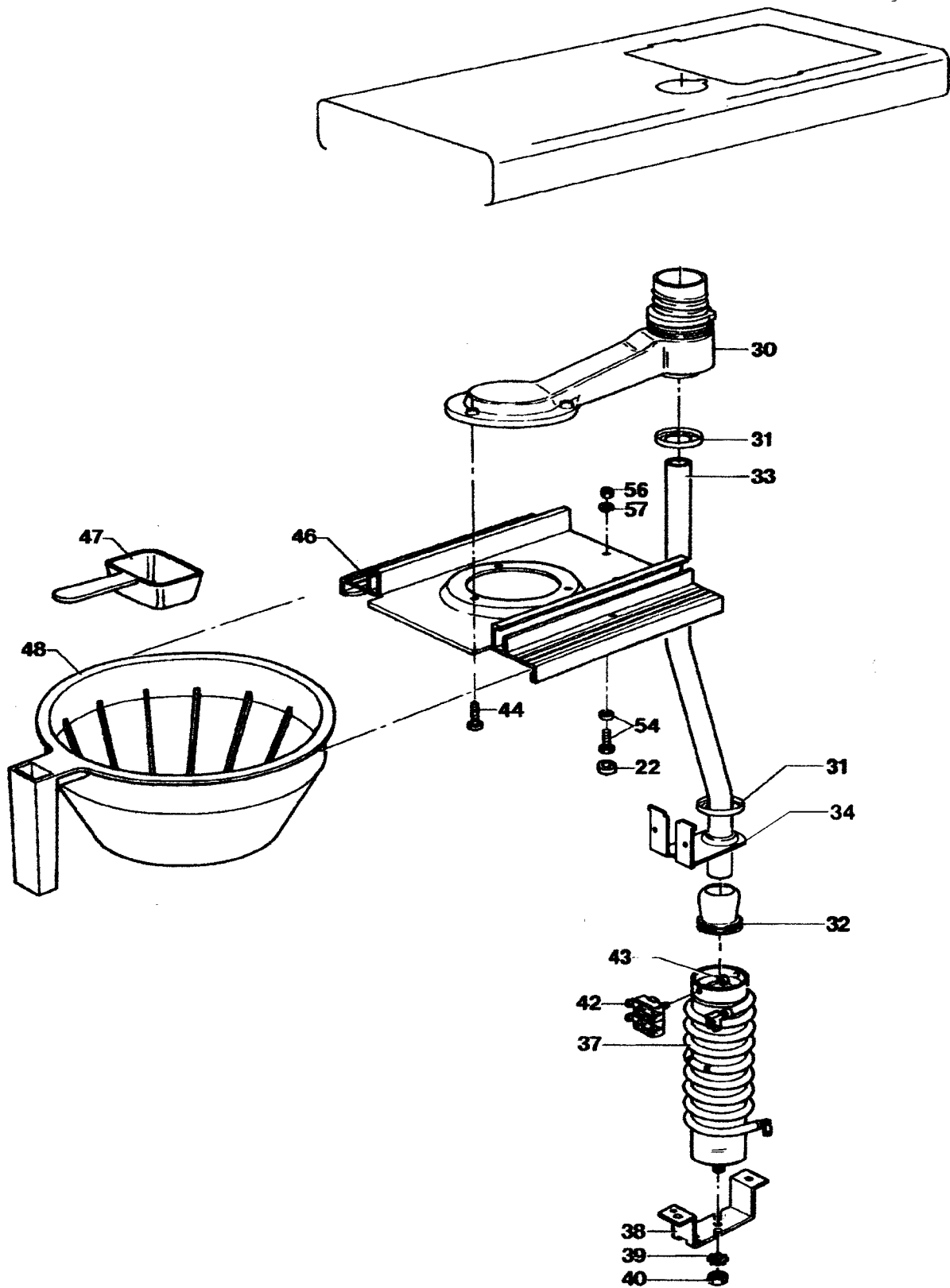
Item.	Description.	Code.
003	Press button switch	43200
005	Capring.....	12333
006	Self tapping screw, 4,2x13.....	70040
007	Capring.....	12333
008	Upper front handle TK-KJS.....	17879
009	Overflow tube	11550
010	Rubber adapter	60010
011	Overflow connection tube	51036
012	Bolt, M3x12, stainless steel	71100
013	Fiber sealingring, 3mm	63110
014	Toothed washer, 3mm	74015
015	Nut M3, stainless steel.....	72026
016	Clamp overflow tube	54455
017	Internal wiringTK-KJS	42404
↳	Wiring sensor TK-KJS.....	40461
018	Coldwater container, TK-KJS.....	11051
019	Screw M3x16	73000
020	Microswitch	43305
021	Fixationplate microswitch.....	54151
022	Connection tube, TK-KJS, 225mm	60098
023	Flowback stop	88510
024	Rubber tube, TK-KJS, 380mm.....	60091
025	Overflow tube, TK-KJS, 350mm	64034
026	Inlet valve	88500
027	Adhesive clip	75020
028	Fixingplate.....	54011
029	Bottomplate	11343
030	Printed circuit board support.....	48050
031	Printed circuit board	48040
032a	Rubber ring	63290
032b	Protection foil	88250
032	Bolt, M4x10	71030
033	Strainer.....	62370
034	PEX watertube 3/4"	62330
↳	PEX watertube 1/2", Denmark	62340
035	Sealing watertube 3/4"	62360
036	Fixation overflow tube	51030
037	Bolt, M3x6, stainless steel	71048
038	Sensor	56542
039	Connection nut.....	78320
040	Isolation part.....	62430
041	Sealing washer.....	12020
042	U shaped tab.....	46041
043	Bolt, M3x10	71128
044	Upper baseplate.....	-
045	Housing TK-KJS autofill	57406


TK-KJS AUTOFILL – electrical diagram

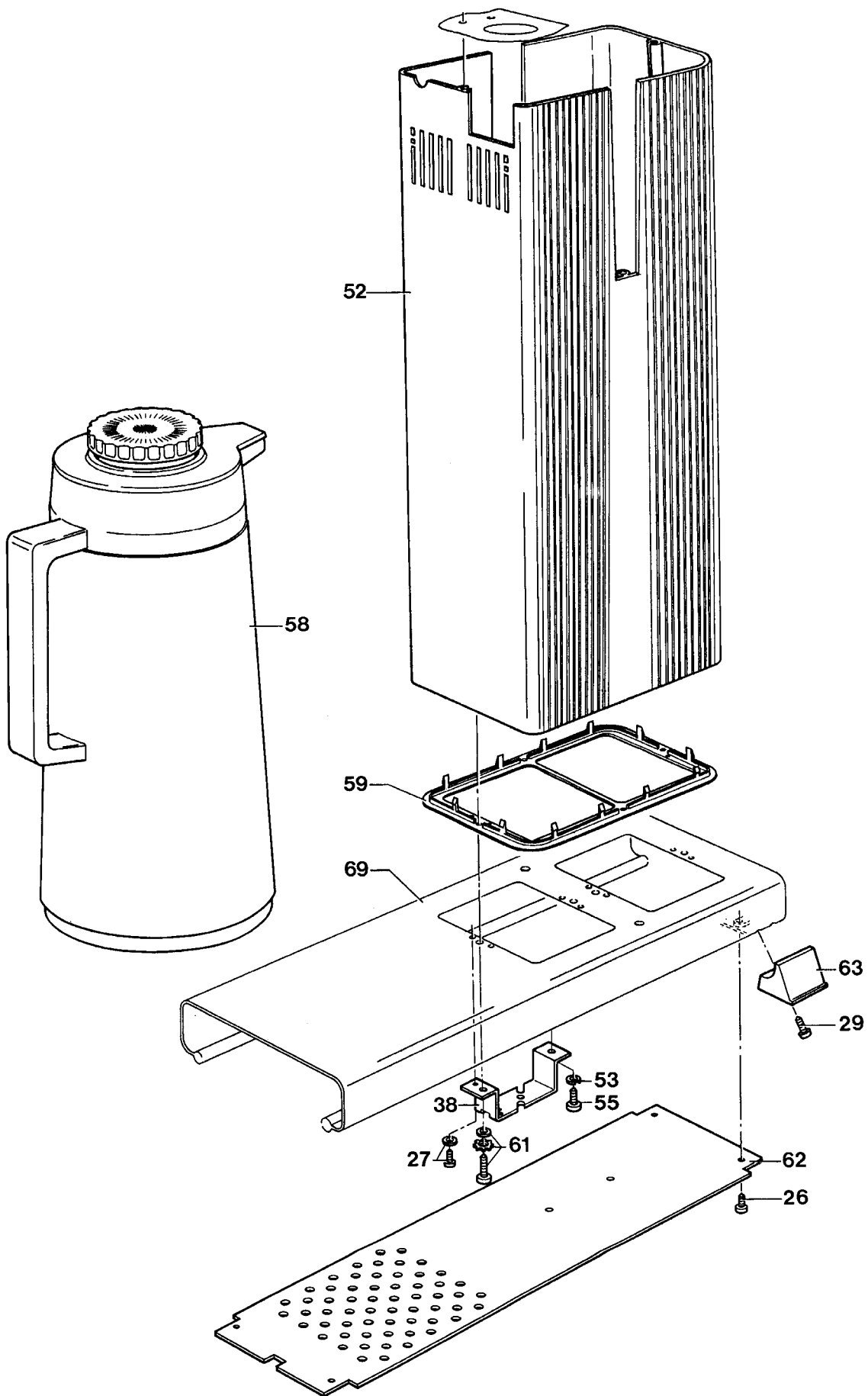





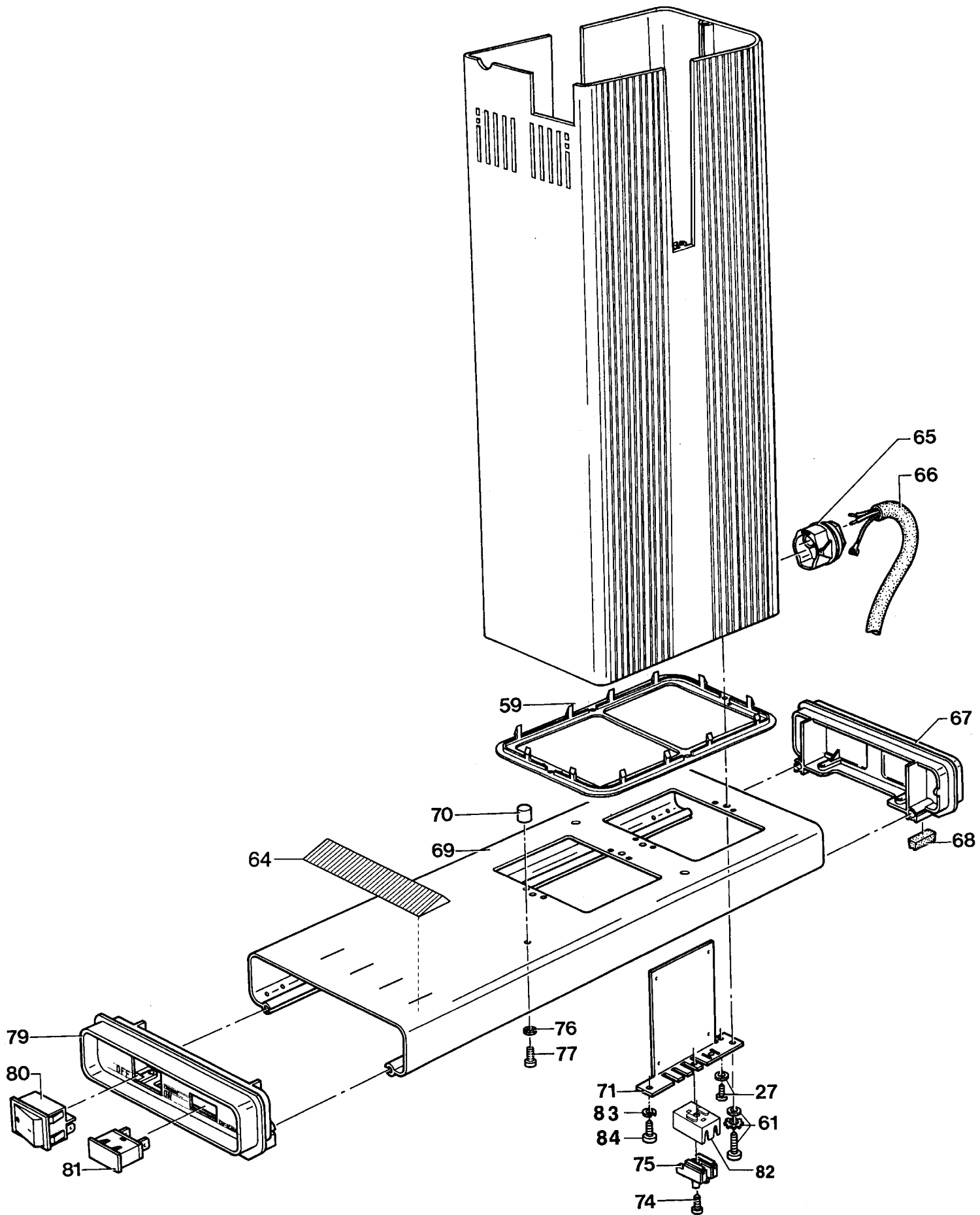
 AMERONGEN - HOLLAND	benaming	Thermoking 3000
	type	
	datum	11-09-98
	getekend	controle
	formaat	A4 bladnr. 1
	tek.nr.	EV 9809 TK3-1
rev.	C 09-09-04	




 TECHNI VORM AMERONGEN - HOLLAND	benaming	Thermoking 3000	
	type		
	datum	11-09-98	
	getekend		controle
	formaat	A4	bladnr. 2
	tek.nr.	EV 9809 TK3-2	
	rev.	C 09-09-04	



 AMERONGEN - HOLLAND	benaming	Thermoking 3000	
	type		
	datum	11-09-98	
	getekend		controle
	formaat	A4	bladnr. 3
	tek.nr.	EV 9809 TK3- 3	
	rev.	C 09-09-04	



 AMERONGEN - HOLLAND	benaming	Thermoking 3000	
	type		
	datum	11-09-98	
	getekend		controle
	formaat	A4	bladnr. 4
	tek.nr.	EV 9809 TK3-4	
	rev.	C 09-09-04	



the coffeemaker makers.

AMERONGEN - HOLLAND

SPARES LIST FOR TK-3000 MANUAL

Item.	Description.	Code.
001	Lid coldwater container, black	13061
002	Parker, 4,2x19	70010
003	Drain plug complete, black.....	11516
004	Float hood, TK3000.....	54135
005	Notch screw, 2,9x6,5.....	73060
005A	Sealingring TK3000, stainless steel.....	54080
006	Level indicator	54082
007	Coldwater container, TK3000, assembly (incl. 7A, 7B, 7C.....	11028
007A	Copper tube, chromium plated	51036
007B	Rubber adapter.....	61178
007C	Fastener.....	78258
008	Float	12235
009	Float connection	12105
010	Tightening socket.....	12220
010A	Rubberring 37x27	63370
011	O-ring 26,65x2,62	63280
012	Rubber tube, 380mm.....	60091
013	Screw M3x16 taptite.....	73000
014	Microswitch	43336
015	Nut PG21	72040
016	Switch pawl	54155
017	Fixingplate microswitch	54151
018	Parker 2,9x6,5	73050
019	Hinge	54100
020	Upper rear handle, black	11756
021	Self tapping screw, 4,2x13	70040
022	Capring (item 22+22a), grey	12333
↳	Capring (item + 22a), black.....	12332
023	Sealingring, coldwater container, TK3000	60038
024	Upper base, black, TK3000 manual.....	55096
↳	Upper base, cream, TK3000 manual	55097
↳	Upper base, blue, TK3000 manual	55099
025	Upper front handle, black, TK3000	17916
026	Signallamp, green.....	43657
027	
028	
029	Screw M3x8.....	71060
030	Outletpipe complete	11502
031	Fastener, 15mm.....	78255
032A	Rubber adapter.....	62105
033	Bended watertransport pipe, 470mm	56898
↳	Bended watertransport pipe, 413mm (FRANCE)	56899
034	Fixing bracket	56611
035	
036	
037	Boiling element complete, 3000W/240V.....	45221
038	Element bracket.....	51489
039	Toothed washer.....	74025
040	Nut M6x5.....	72035
041	
042	Thermostat /thermofuse combination.....	46260
043	Nut M4	72015
044	Self tapping screw, 4,2x16	70030
045	
046	Aluminium filterholder, silver, TK3000.....	55822
↳	Aluminium filterholder, black, TK3000.....	55824



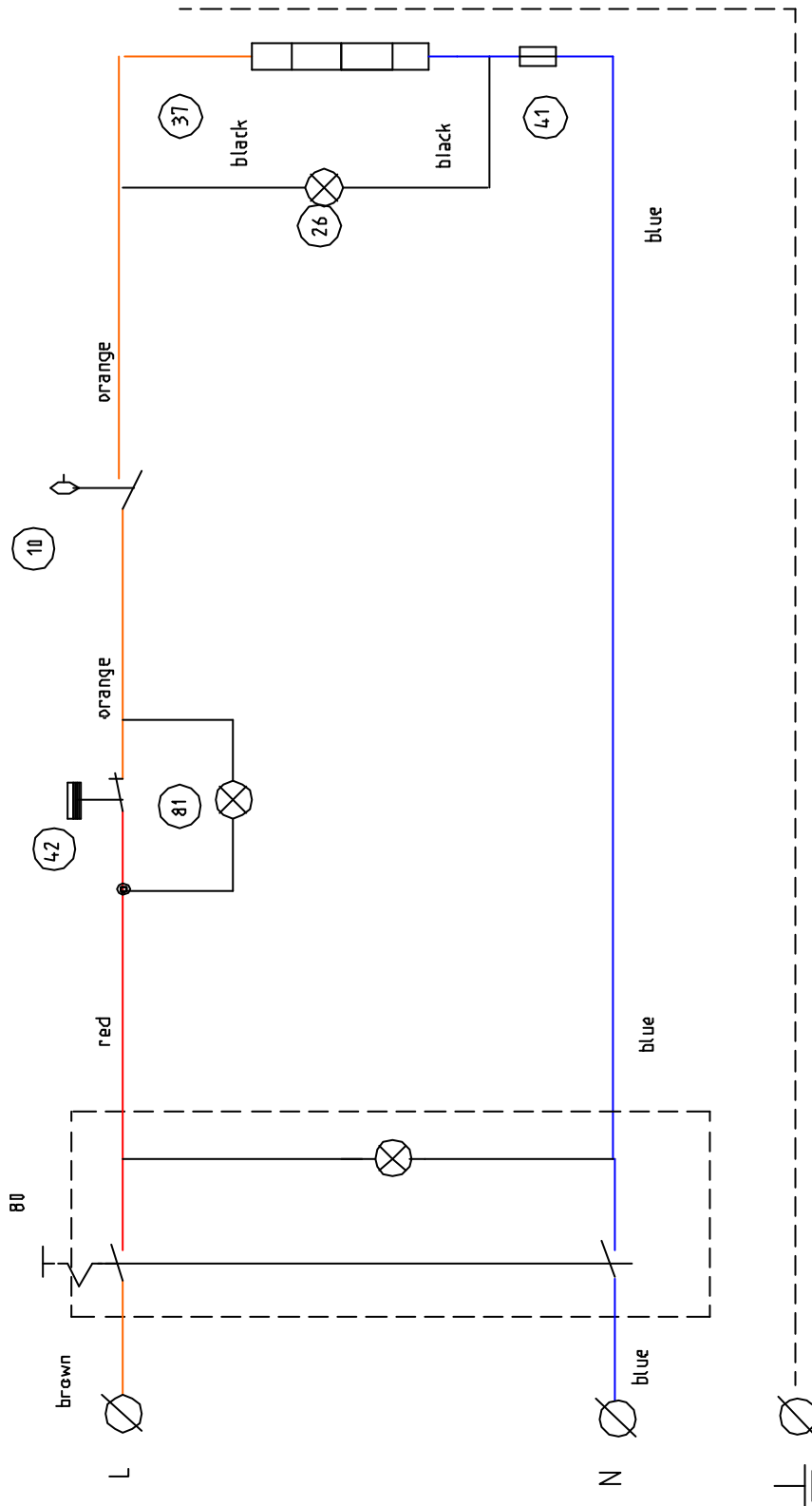
the coffeemaker makers.

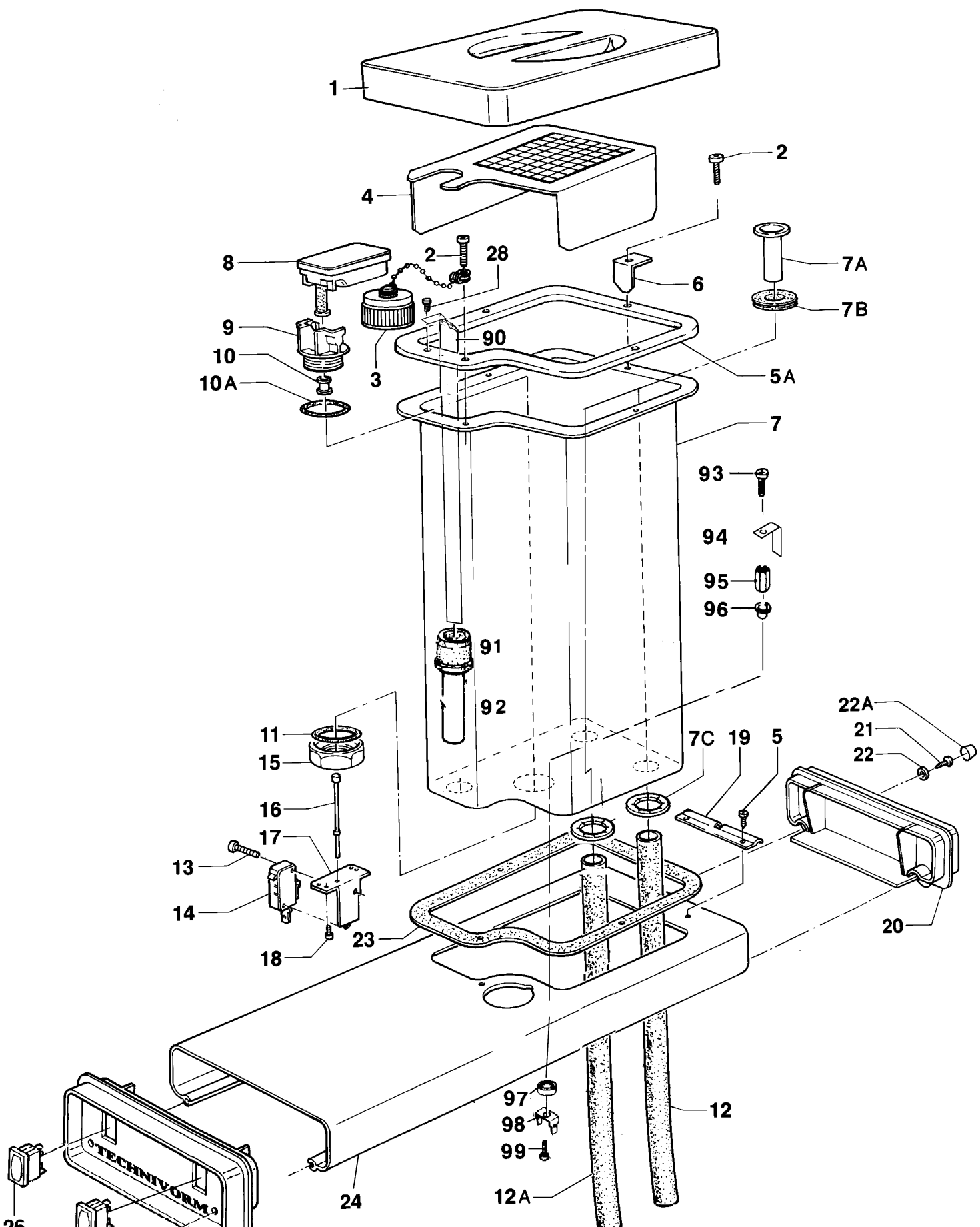
AMERONGEN - HOLLAND


SPARES LIST FOR TK-3000 MANUAL

Item.	Description.	Code.
047	Measuring spoon	88106
048	Filterholder, black, TK3000	13277
049	
050	
051	
052	Housing TK3000, black, 545mm	57419
↳	Housing TK3000, cream, 545mm	57418
↳	Housing TK3000, blue, 545mm	57421
↳	Housing TK3000, black, 490mm (FRANCE).....	54720
053	
054	
055	
056	
057	
058	Thermojug (airpot) 3ltr.	88720
059	Sealing ring, black.....	11396
060	Screw 3,5x9,5.....	70050
061	Self tapping screw, 4,5x20	70080
062	Bottomplate, TK3000.....	11335
063	Feet, black, TK300	11280
064	Butt-strap	16500
065	Cord anchorage.....	11262
066	Flex with plug, 3x1,5, black.....	44085
↳	Flex with plug, 3x1,5, black, UK	44064
067	Lower rear handle, black	11715
068	Rubber feet	61150
069	Base plate, cream, TK3000 (butt strap)	55032
↳	Base plate, black, TK3000 (butt strap)	55033
↳	Base plate, cream, TK3000	55034
↳	Base plate, black, TK3000	55035
↳	Base plate, blue, TK3000 (butt strap)	55036
070	Butt, TK3000	54521
071	Fixing plate, block terminal	54010
072	
073	
074	Parker, 2,9x19.....	70065
075	Block terminal	46060
076	Toothed washer, M4	74010
077	Screw, M4x8.....	71045
079	Lower front handle, black (butt strap).....	11863
↳	Lower front handle, black.....	11864
080	Main switch, black.....	43151
081	Scale indicator lamp.....	43600
082	Fixation block terminal.....	11240
083	Springwasher M5.....	74024
084	Screw M5	71070

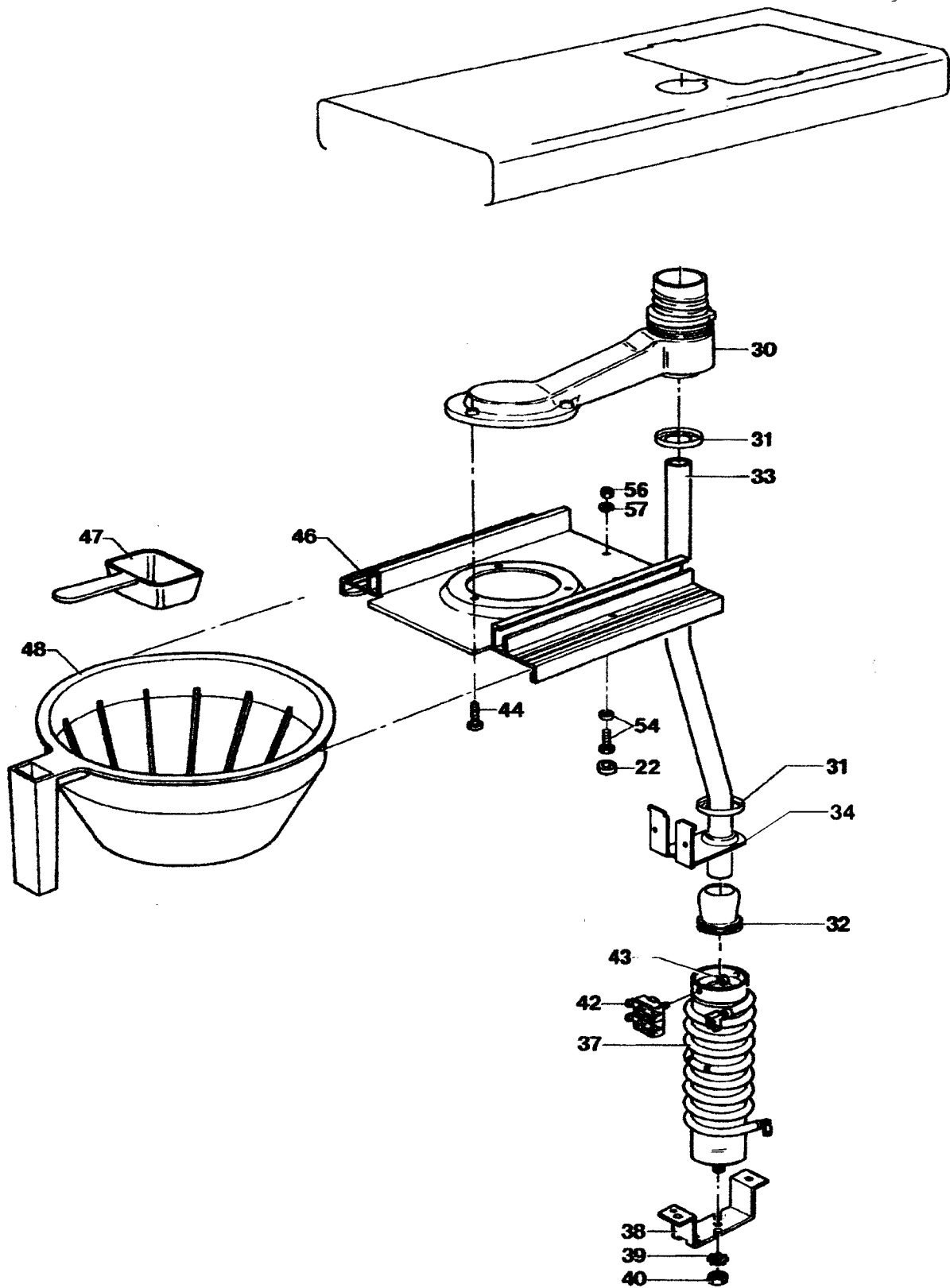
TK-3000 MANUAL – electrical diagram




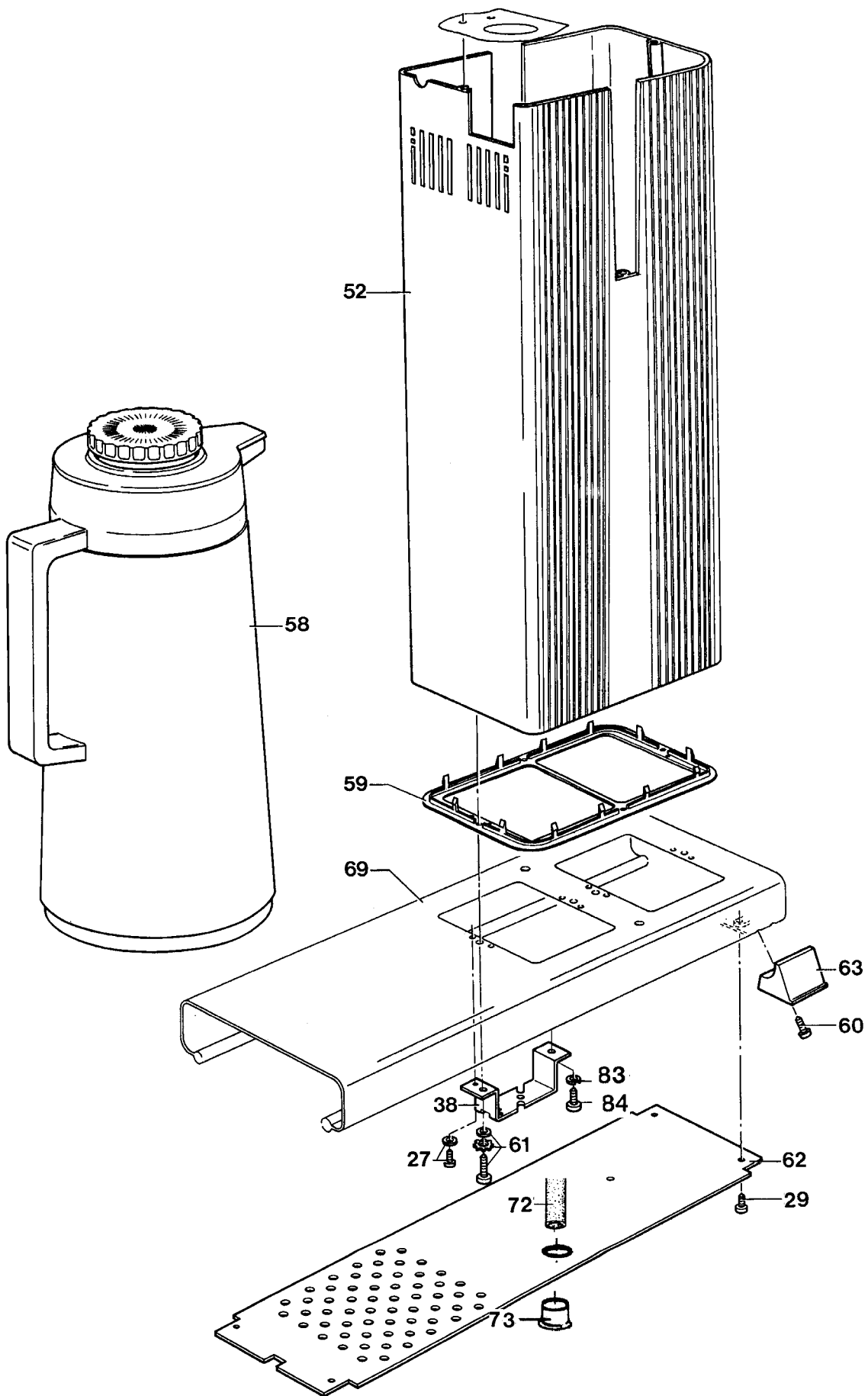



		benaming	Thermoking 3000
		type	autofill
		datum	11-09-98
		getekend	controle
		formaat	A4 bladnr. 1
		tek.nr.	EV 9809 TK3-1
		rev.	C 09-09-04

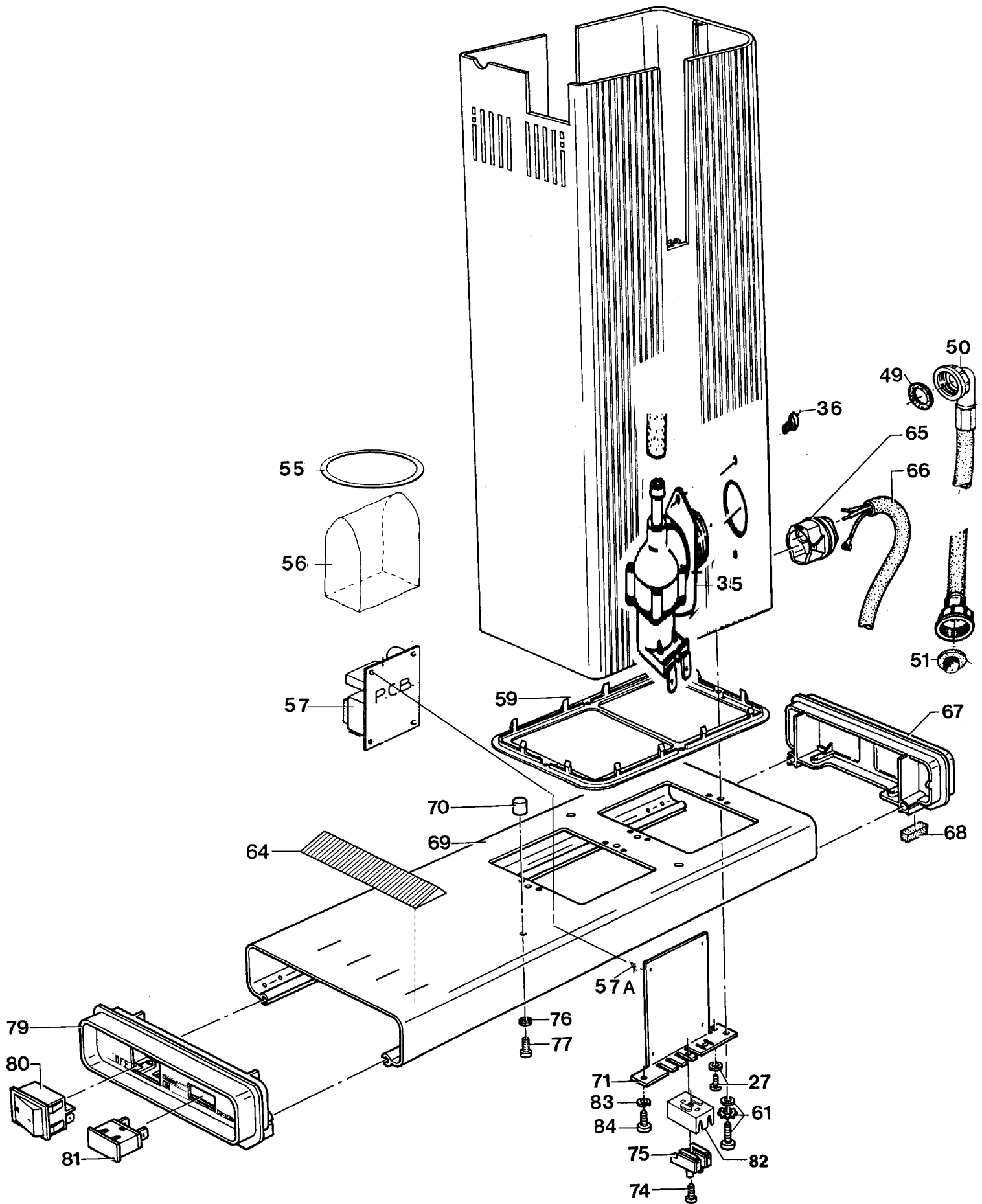
AMERONGEN - HOLLAND




 TECHNI VORM AMERONGEN - HOLLAND	benaming	Thermoking 3000	
	type		
	datum	11-09-98	
	getekend		controle
	formaat	A4	bladnr. 2
	tek.nr.	EV 9809 TK3-2	
	rev.	C 09-09-04	



 AMERONGEN - HOLLAND	benaming	Thermoking 3000	
	type	autofill	
	datum	11-09-98	
	getekend		controle
	formaat	A4	bladnr. 3
	tek.nr.	EV 9809 TK3- 3	
	rev.	C 09-09-04	



 <p>AMERONGEN - HOLLAND</p>	benaming	Thermoking 3000	
	type	autofill	
	datum	11-09-98	
	getekend		controle
	formaat	A4	bladnr. 4
	tek.nr.	EV 9809 TK3- 4	
	rev.	C 09-09-04	



the coffeemaker makers.

AMERONGEN - HOLLAND

SPARES LIST FOR TK-3000 AUTOFILL

Item.	Description.	Code.
001	Lid coldwater container, black	13061
002	Parker, 4,2x19	70010
003	Drain plug complete, black.....	11516
004	Float hood, TK3000.....	54135
005	Notch screw, 2,9x6,5.....	73060
005A	Sealingring TK3000, stainless steel.....	54080
006	Level indicator	54082
007	Coldwater container, TK3000, assembly (incl. 7A, 7B, 7C.....	11029
007A	Copper tube, chromium plated	51036
007B	Rubber adapter.....	61178
007C	Fastener.....	78258
008	Float	12235
009	Float connection	12105
010	Tightening socket.....	12220
010A	Rubberring 37x27	63370
011	O-ring 26,65x2,62	63280
012	Rubber tube, 380mm.....	60091
012A	Rubber tube, 315mm.....	64030
013	Screw M3x16 taptite.....	73000
014	Microswitch	43305
015	Nut PG21	72040
016	Switch pawl	54155
017	Fixingplate microswitch	54151
018	Parker 2,9x6,5	73050
019	Hinge	54100
020	Upper rear handle, black	11756
021	Self tapping screw, 4,2x13	70040
022	Capring (item 22+22a), grey	12333
↳	Capring (item + 22a), black.....	12332
023	Sealingring, coldwater container, TK3000	60038
024	Upper base, cream, TK3000 autofill	55094
↳	Upper base, black, TK3000 autofill	55095
025	Upper front handle, black, TK3000	17918
026	Signallamp, green.....	43657
027	Push button switch, autofill	43200
028	Screw M3x6, stainless steel.....	71048
029	Screw M3x8.....	71060
030	Outletpipe complete	11502
031	Fastener, 15mm.....	78255
032A	Rubber adapter.....	62105
033	Bended watertransport pipe, 470mm	56898
034	Fixing bracket	56611
035	Inlet valve	88408
036	Bolt M4x10	71030
037	Boiling element complete, 3000W/240V.....	45221
038	Element bracket.....	51489
039	Toothed washer.....	74025
040	Nut M6x5.....	72035
041
042	Thermostat /thermofuse combination.....	46260
043	Nut M4	72015
044	Self tapping screw, 4,2x16	70030
045
046	Aluminium filterholder, silver, TK3000.....	55822
↳	Aluminium filterholder, black, TK3000.....	55824
047	Measuring spoon	88106



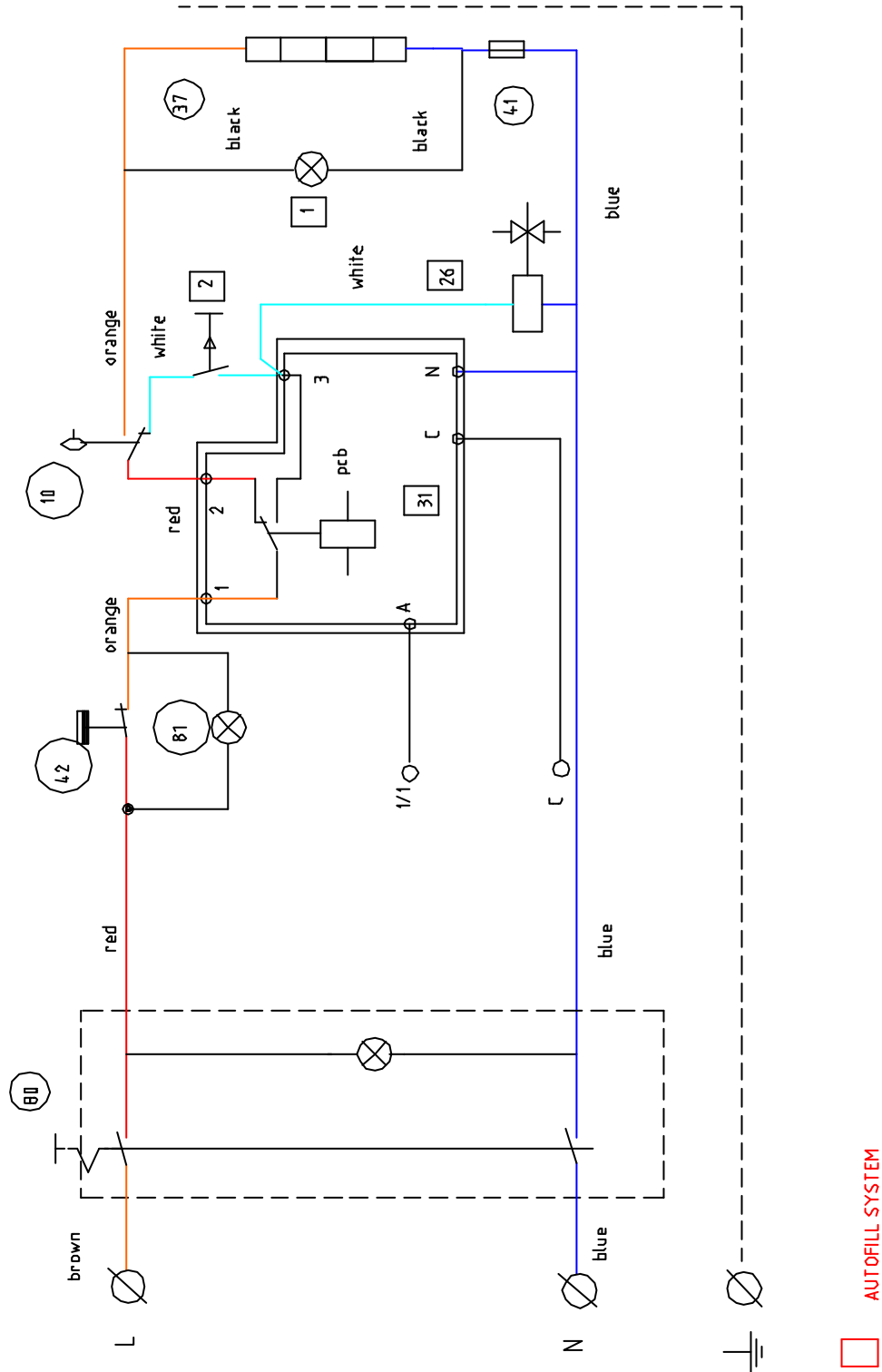
the coffeemaker makers.

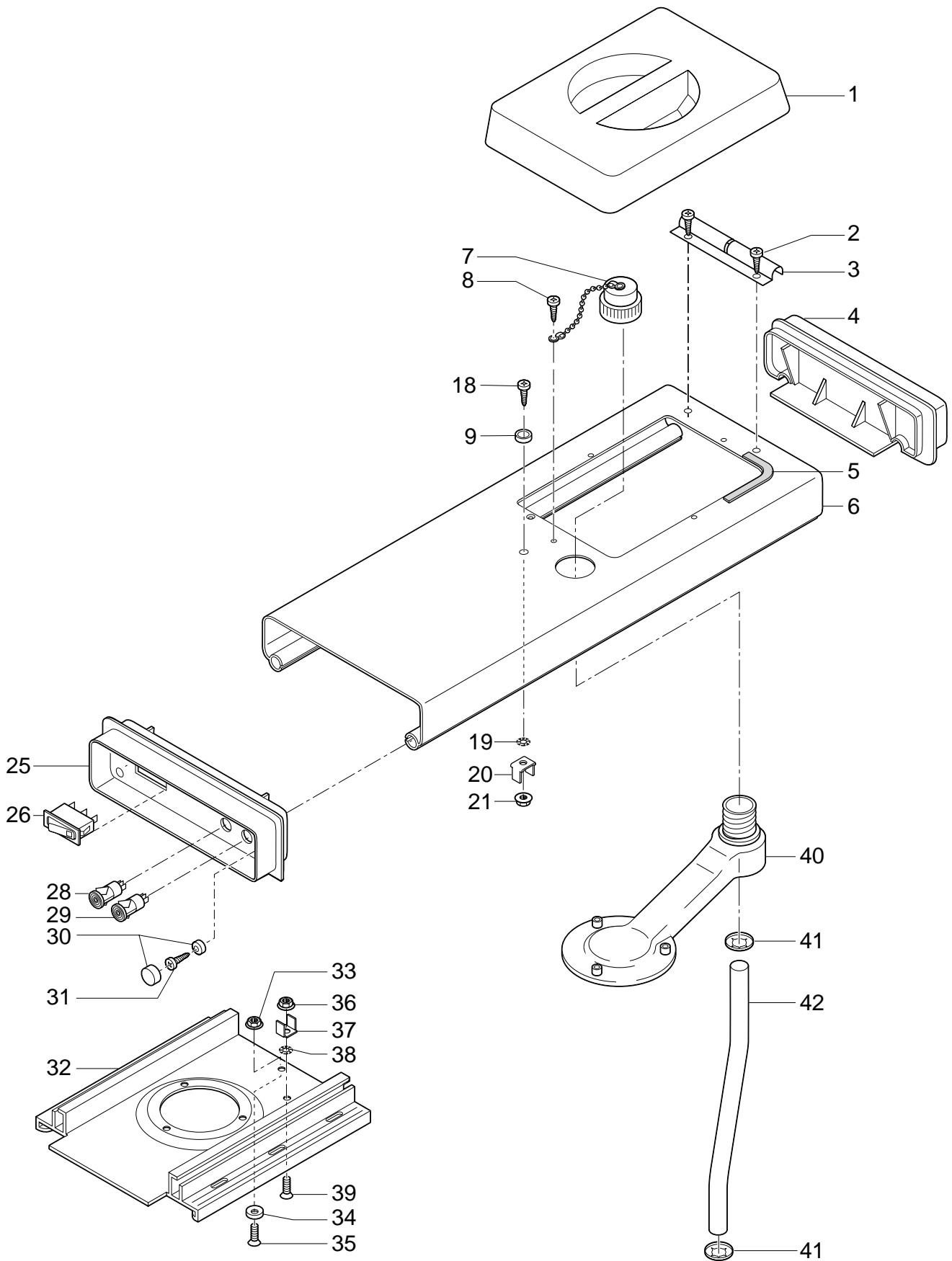
AMERONGEN - HOLLAND


SPARES LIST FOR TK-3000 AUTOFILL

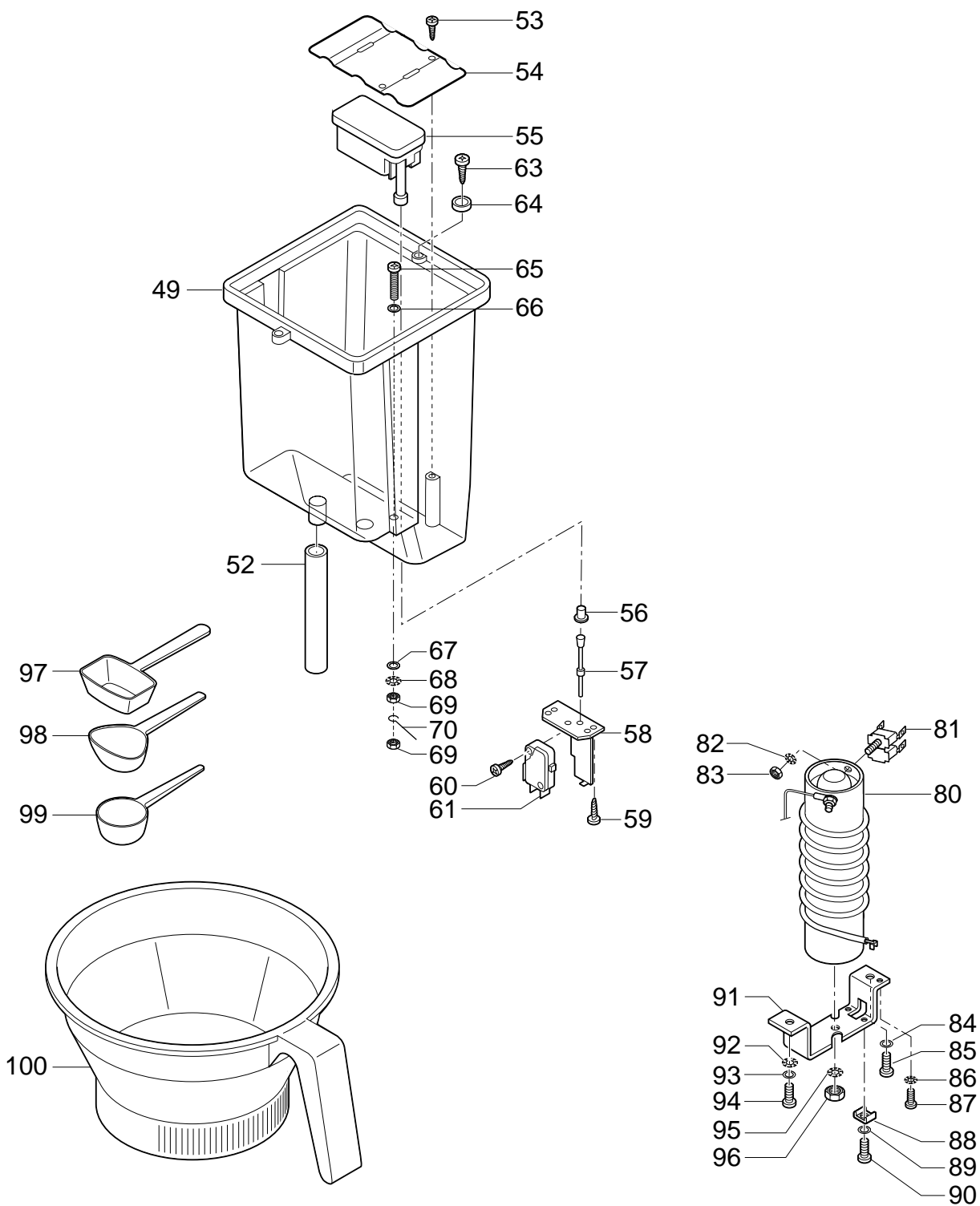
Item.	Description.	Code.
048	Filterholder, black, TK3000	13277
049	Sealing watertube 3/4"	62360
050	PEX watertube 3/4"	62330
↳	PEX watertube 1/2", Denmark	62340
051	Strainer	62370
052	Housing TK3000, autofill, cream, 545mm	57416
↳	Housing TK3000, autofill, black, 545 mm	57417
↳	Housing TK3000, blue, 545 mm	57421
053	
054	
055	Rubber ring	63290
056	Protection foil	88250
057	Printed circuit board	48040
057A	Printed circuit board support	48050
058	Thermojug (airpot) 3ltr.	88720
059	Sealing ring, black	11396
060	Screw 3,5x9,5	70050
061	Self tapping screw, 4,5x20	70080
062	Bottomplate, TK3000, autofill	11340
063	Feet, black, TK300	11280
064	Butt-strap	16500
065	Cord anchorage	11262
066	Flex with plug, 3x1,5, black	44085
↳	Flex with plug, 3x1,5, black, UK	44064
067	Lower rear handle, black	11715
068	Rubber feet	61150
069	Base plate, cream, TK3000 (butt strap)	55032
↳	Base plate, black, TK3000 (butt strap)	55033
↳	Base plate, cream, TK3000	55034
↳	Base plate, black, TK3000	55035
070	Butt, TK3000	54521
071	Fixing plate, block terminal	54010
072	Overflow tube, 350mm	64034
073	Fixation overflow tube	51030
074	Parker, 2,9x19	70065
075	Block terminal	46060
076	Toothed washer, M4	74010
077	Screw, M4x8	71045
079	Lower front handle, black (butt strap)	11863
↳	Lower front handle, black	11864
080	Main switch, black	43151
081	Scale indicator lamp	43600
082	Fixation block terminal	11240
083	Springwasher M5	74024
084	Screw M5	71070
090	Overflow tube	51120
091	Rubber adapter	60015
092	Overflow connection tube	51036
093	Bolt, M3x6, stainless	71048
094	Sensor TK 3000	56541
095	Connection nut	78321
096	Isolation part	62430
097	Sealing washer	12020
098	U shaped tab	46041
099	Bolt, M3x10	71128


TK-3000 AUTOFILL – electrical diagram

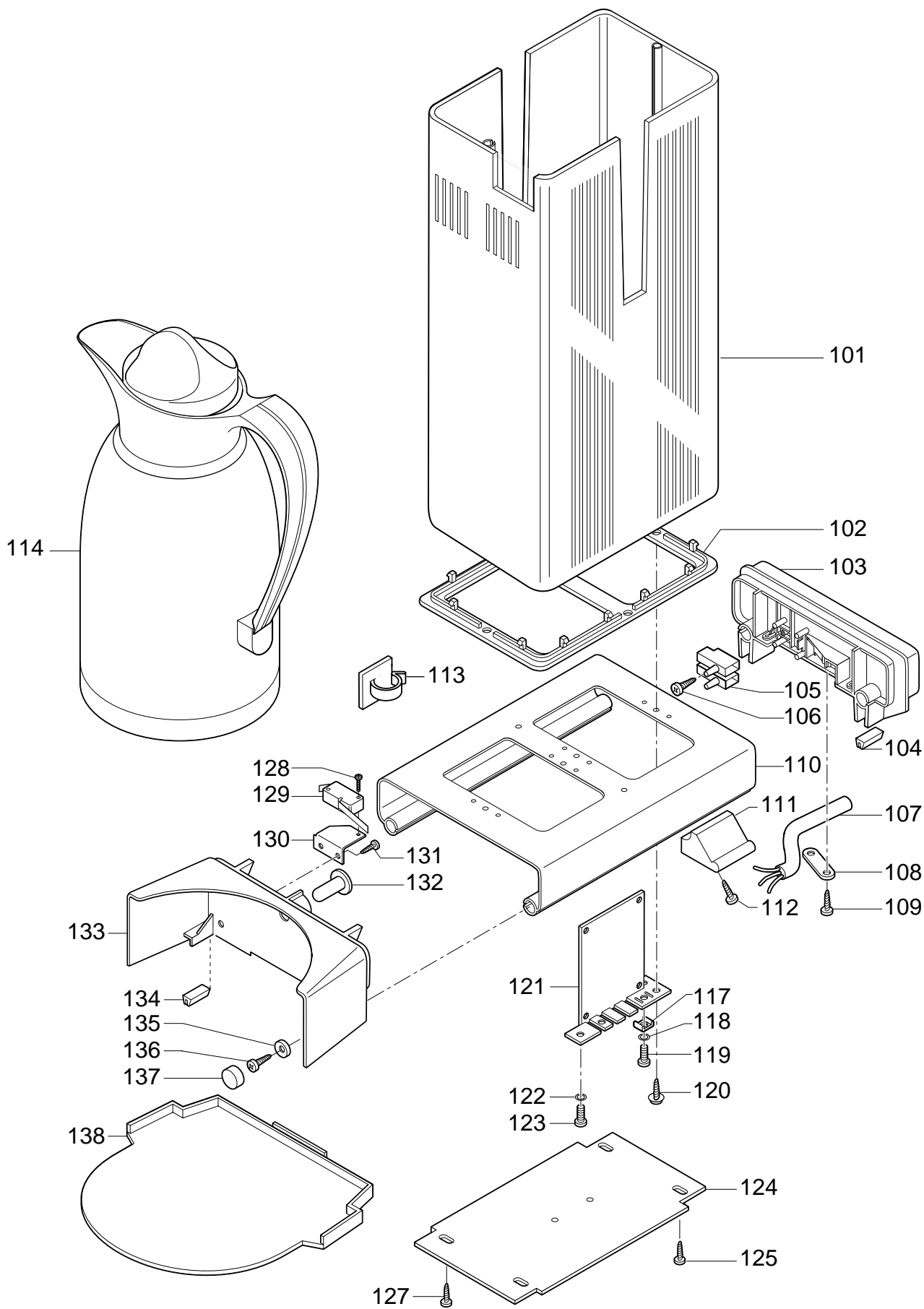





 TECHNI VORM <small>AMERONGEN-HOLLAND</small>	benaming	Thermoserve II X (E)	
	type		
	datum	maart 2002	
	getekend	controle	
	formaat	A4	bladnr. 1
	tek.nr.		



 <p>AMERONGEN-HOLLAND</p>	benaming	Thermoserve II-X (E)	
	type		
	datum	maart 2002	
	getekend	controle	
	formaat	A4	bladnr. 2
	tek.nr.		



 <p>AMERONGEN-HOLLAND</p>	benaming	Thermoserve II X (E)	
	type		
	datum	maart 2002	
	getekend		controle
	formaat	A4	bladnr. 3
	tek.nr.		

SPARES LIST FOR TSIIX(E).

Item.	Description.	Code.
001	Lid coldwatercontainer, black.....	13061
002	Screw 2,9x6,5, stainless steel.....	73060
003	Hinge.....	54100
004	Upper rear handle, black.....	11756
005	Sealing ring cold water container.....	60035
006	Upper base, black.....	55078
↳	Upper base, cream.....	55068
007	Drainplug, black.....	11516
008	Screw 4,2x19, stainless steel.....	70010
018	Screw M4x12, stainless steel.....	71005
019	Lock washer M4.....	74010
020	U shaped tab.....	46041
021	Flange nut.....	72015
025	Upper front handle, black, TSIIIX.....	17904
↳	Upper front handle, black, TSIIIXE.....	17906
026	Illuminated main switch, black.....	43048
028	Signal lamp green (TSIIIX).....	43650
029	Signal lamp red (TSIIIX).....	43655
030	Capring.....	12333
031	Screw 4,2x13, stainless steel.....	70040
032	Filterholder aluminium, black.....	55872
033	Flange nut.....	72015
034	Capring.....	12333
035	Screw M4x8.....	71045
036	Flange nut.....	72015
037	U shaped tab.....	46041
038	Lock washer M4.....	74020
039	Screw M4x12, stainless steel.....	71005
040	Overflow tube.....	11502
041	Speednut 15mm, stainless steel.....	78255
042	Bended watertransport pipe, 285mm.....	56880
049	Cold water container.....	11050
052	Rubber tube, 245mm.....	60099
053	Screw 2,9x6,5, stainless steel.....	73060
054	Float hood.....	54125
055	Float.....	12235
056	Tightening socket.....	12220
057	Switch pawl.....	54155
058	Fixation plate microswitch.....	54151
059	Screw 2,9x6,5.....	73050
060	Screw M3x16.....	73000
061	Microswitch 16 Amp.....	43335
063	Screw 4,2x19, stainless steel.....	70010
064	Sealing washer.....	12020
080	Boiling element, 2200W-240V.....	45207
↳	Boiling element, 2200W-230V.....	45204
081	Thermostat / thermofuse combination.....	46260
082	Part of item 83.....	
083	Flange nut.....	72015
084	Lock washer.....	74020
085	Screw 4,2x19, stainless steel.....	70080
086	Lock washer.....	74015
087	Screw M3.....	73030
088	Tightening clip.....	54161
089	Lock washer.....	74020
090	Screw M4x10.....	71010
091	Element bracket.....	51485

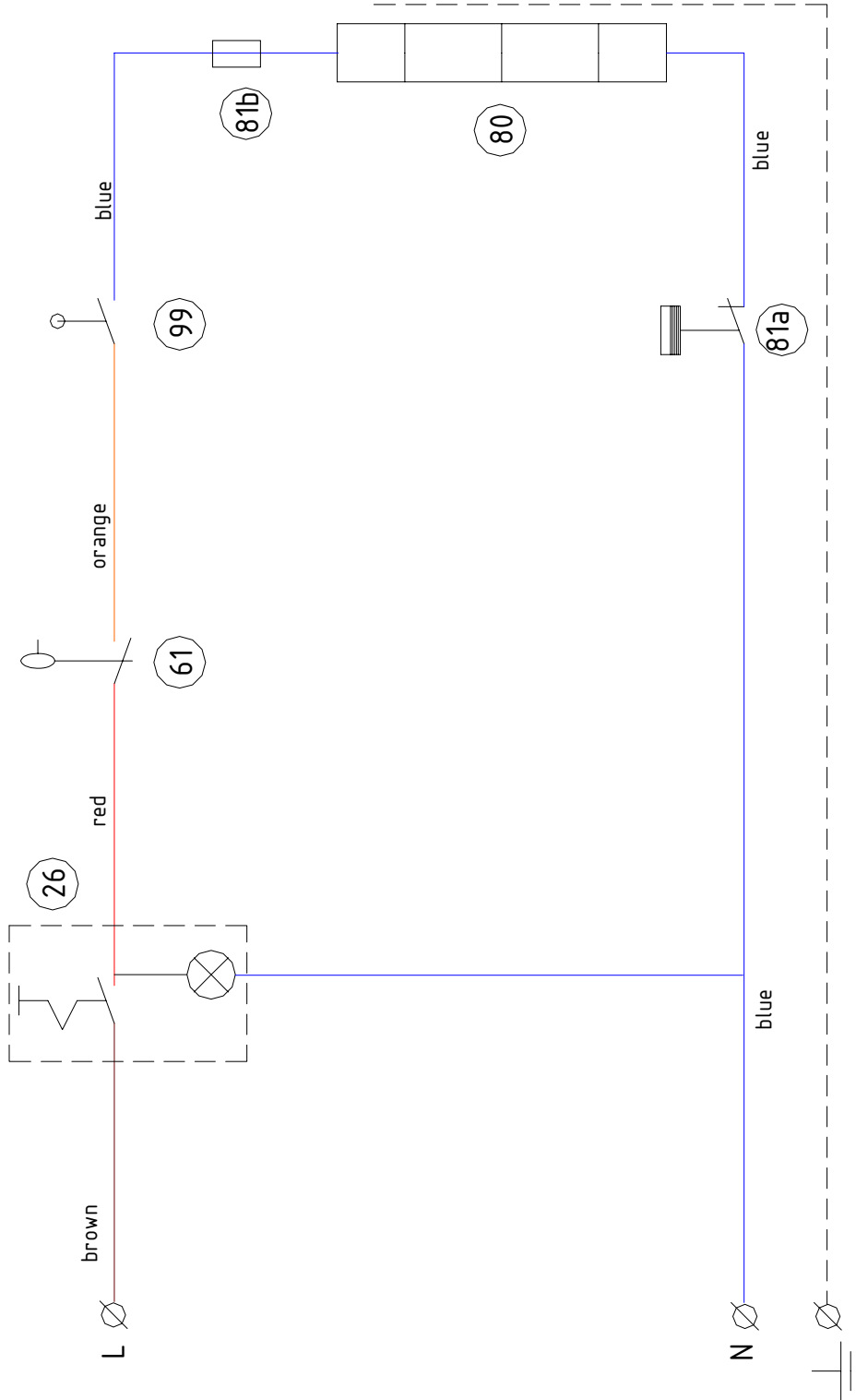
SPARES LIST FOR TSIIIX(E).

Item.	Description.	Code.
093	Lock washer M5	74024
094	Screw M5x10	71070
095	Lock washer M6	74025
096	Nut M6.....	72035
097	Measuring spoon.....	88100
098	Measuring spoon, Norway	88105
099	Measuring spoon, Sweden, France	88106
100	Filterholder black	13271
101	Housing black	57361
101	Housing cream	57360
102	Sealing ring black.....	11396
103	Lower rear handle, black.....	11716
104	Rubber feet	61150
105	Block terminal.....	46060
106	Screw 2,9x19	70065
107	Flex with plug, 3x1,5, black, Engeland	44064
107	Flex with plug, 3x1,5 black	44085
108	Cord anchorage	78175
109	Screw 3,5x13	70055
110	Base plate, black.....	55047
110	Base plate, cream	55046
111	Feet black.....	11271
112	Screw 3,5x9,5	70050
113	Adhesive clip	75020
114	Thermojug stainless steel, 2 lt.	30540
117	Tightening clip	54161
118	Lock washer M4	74020
119	Screw M4x10	71010
120	Screw with lockwasher.....	70081
121	Fixation plate, printed circuit board	54011
122	Lock washer M5	74024
123	Screw M5x10	71070
124	Bottom plate	11370
125	Screw M3x8	71060
127	Screw M3x8	71060
128	Screw M3x16	73000
129	Microswitch 16 Amp.....	43335
129	Lever microswitch	43337
130	Fixation plate microswitch	54148
131	Screw 2,9x6,5	73050
132	Operation knob.....	16650
133	Front handle right.....	11135
133	Front handle right, complete (Incl. 128 - 134).....	11136
134	Rubber feet	61150
135	Capring black	12332
136	Parker 4,2x13.....	70040
137	Capring black	12332
138	Feet plate	16700

TSIIX(E). – electrical diagram

TYPE: THERMOSERVE IIXE

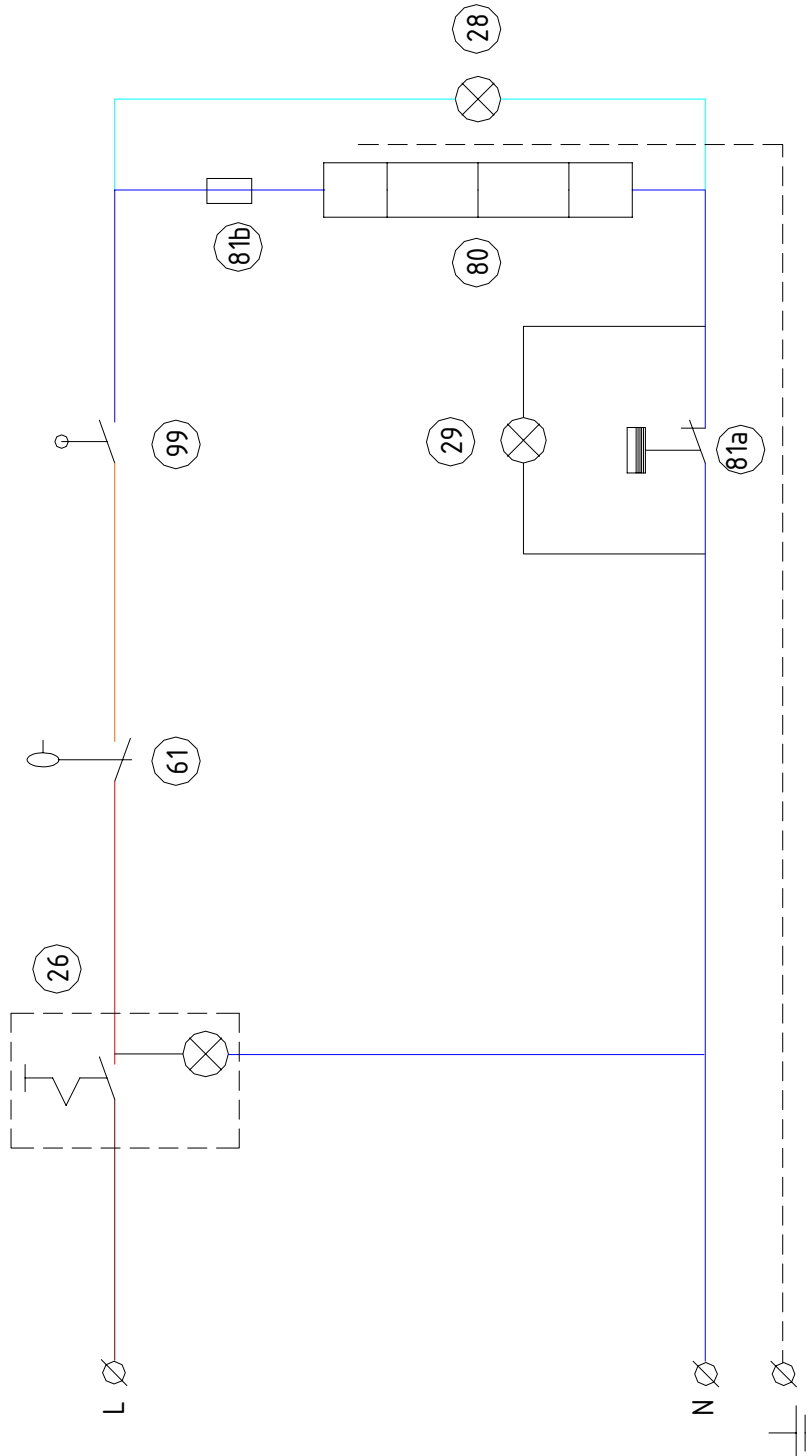
MODEL: TS 080/A

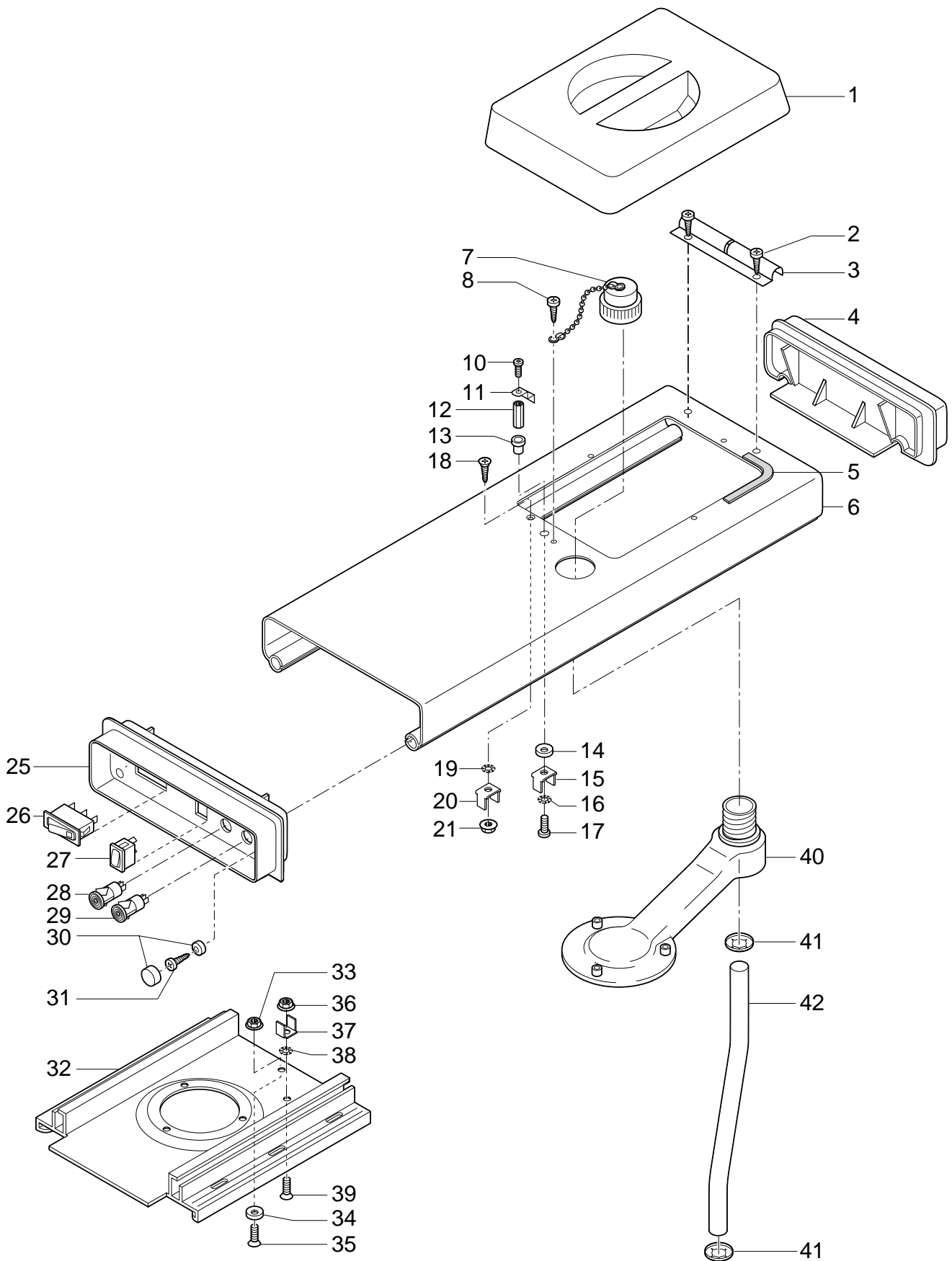



TSIIX(E). – electrical diagram

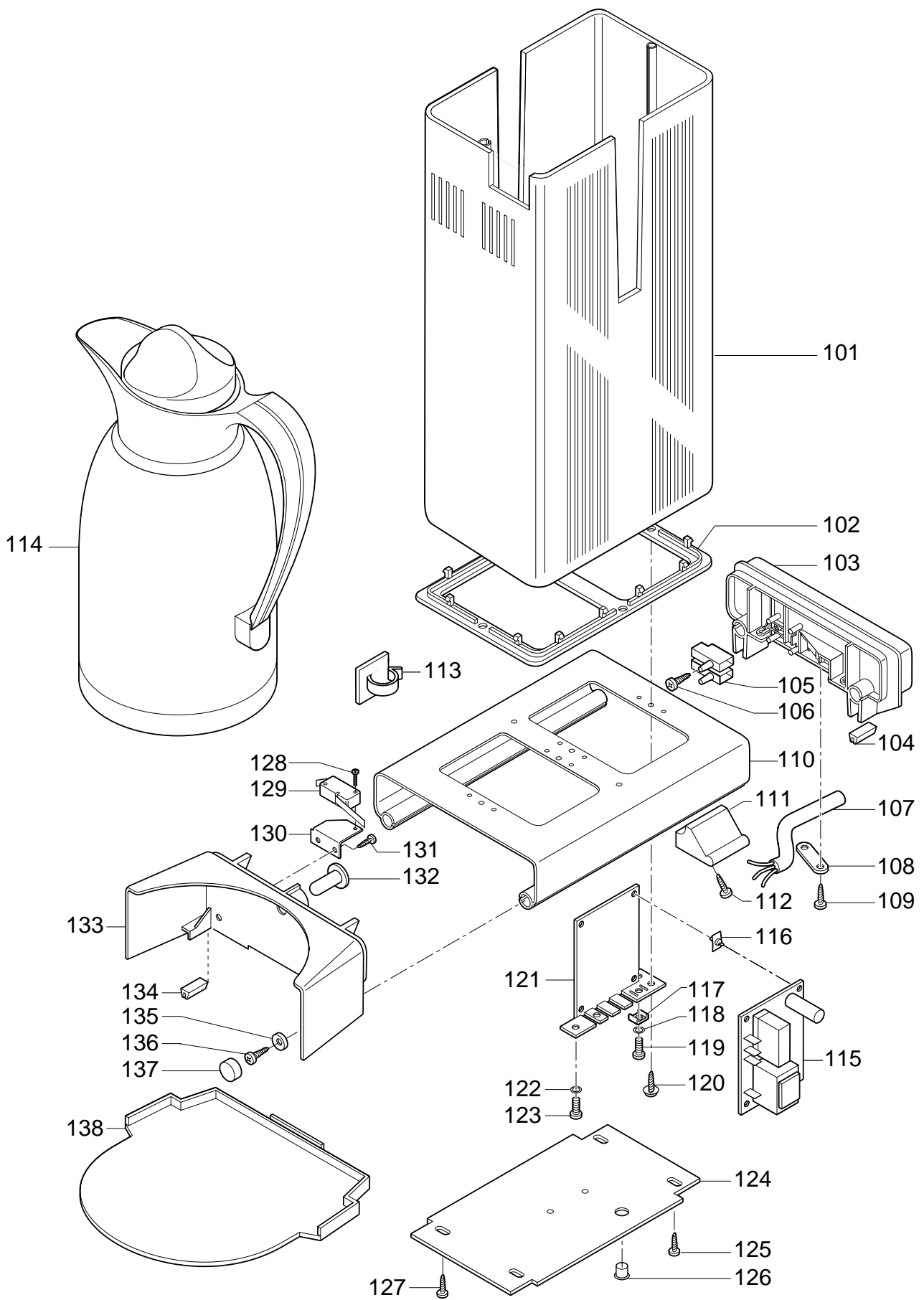
TYPE: THERMOSERVE IIX


MODEL: TS 081/A





 <p>AMERONGEN - HOLLAND</p>	benaming	Thermoserve II X autofill	
	type		
	datum	maart 2002	
	getekend	controle	
	formaat	A4	bladnr. 1
	tek.nr.		



 <p>AMERONGEN-HOLLAND</p>	benaming	Thermoserve II X autofill	
	type		
	datum	maart 2002	
	getekend	controle	
	formaat	A4	bladnr. 3
	tek.nr.		

SPARES LIST FOR TSIIX AUTOFILL

Item.	Description.	Code.
001	Lid coldwatercontainer, black.....	13061
002	Screw 2,9x6,5, stainless steel.....	73060
003	Hinge.....	54100
004	Upper rear handle, black.....	11756
005	Sealing ring cold water container.....	60035
006	Upper base, black.....	55078
↳	Upper base, cream.....	55068
007	Drainplug, black.....	11516
008	Screw 4,2x19, stainless steel.....	70010
010	Screw M3x16, stainless steel.....	71048
011	Sensor autofill system.....	56540
012	Connection nut.....	78320
013	Insulating bush.....	62430
014	Sealing washer.....	12020
015	U shaped tab.....	46041
016	Lock washer M3.....	74015
017	Screw M3x10.....	71128
018	Screw M4x12, stainless steel.....	71005
019	Lock washer M4.....	74010
020	U shaped tab.....	46041
021	Flange nut.....	72015
025	Upper front handle, black, autofill.....	17908
026	Illuminated main switch, black.....	43048
027	Press button switch.....	43200
028	Signal lamp green.....	43650
029	Signal lamp red.....	43655
030	Capring.....	12333
031	Screw 4,2x13, stainless steel.....	70040
032	Filterholder aluminium, black.....	55872
033	Flange nut.....	72015
034	Capring.....	12333
035	Screw M4x8.....	71045
036	Flange nut.....	72015
037	U shaped tab.....	46041
038	Lock washer M4.....	74020
039	Screw M4x12, stainless steel.....	71005
040	Overflow tube.....	11502
041	Speednut 15mm, stainless steel.....	78255
042	Bended watertransport pipe, 285mm.....	56880
045	Clamp overflow tube.....	54455
046	Overflow tube.....	15500
047	Fixation overflow tube.....	51036
048	Rubber adapter.....	60010
049	Cold water container, autofill.....	11051
050	Overflow tube, 260mm.....	64032
051	Cable tie.....	46170
052	Rubber tube, 245mm.....	60099
053	Screw 2,9x6,5, stainless steel.....	73060
054	Float hood.....	54125
055	Float.....	12235
056	Tightening socket.....	12220
057	Switch pawl.....	54155
058	Fixation plate microswitch.....	54151
059	Screw 2,9x6,5.....	73050
060	Screw M3x16.....	73000
061	Microswitch 16 Amp.....	43305
063	Screw 4,2x19, stainless steel.....	70010



the coffemaker makers.

AMERONGEN - HOLLAND

SPARES LIST FOR TSIIX AUTOFILL

<u>Item.</u>	<u>Description.</u>	<u>Code.</u>
064	Sealing washer.....	12020
065	Screw M3x12, stainless steel.....	71100
066	Fiber sealing washer.....	63110
067	Fiber sealing washer.....	63110
068	Lock washer M3.....	74015
069	Nut M3.....	72025
070	Wiring sensor autofill system.....	40460
071	Connection tube.....	64017
072	Flow back stop.....	88510
073	Inlet valve.....	88500
074	Screw M4x10.....	71030
075	Rubber sealing ring watertube 3/4".....	62360
076	PEX watertube 3/4".....	62330
076	PEX watertube 1/2", Denmark.....	62340
080	Boiling element, 2200W-240V.....	45207
↳	Boiling element, 2200W-230V.....	45204
081	Thermostat / thermofuse combination.....	46260
082	Part of item 83.....	
083	Flange nut.....	72015
084	Lock washer.....	74020
085	Screw 4,2x19, stainless steel.....	70080
086	Lock washer.....	74015
087	Screw M3.....	73030
088	Tightening clip.....	54161
089	Lock washer.....	74020
090	Screw M4x10.....	71010
091	Element bracket.....	51485
093	Lock washer M5.....	74024
094	Screw M5x10.....	71070
095	Lock washer M6.....	74025
096	Nut M6.....	72035
097	Measuring spoon.....	88100
098	Measuring spoon, Norway.....	88105
099	Measuring spoon, Sweden, France.....	88106
100	Filterholder black.....	13271
101	Housing black, autofill.....	57371
↳	Housing cream, autofill.....	57370
102	Sealing ring black.....	11396
103	Lower rear handle, black.....	11716
104	Rubber feet.....	61150
105	Block terminal.....	46060
106	Screw 2,9x19.....	70065
107	Flex with plug, 3x1,5, black, Engeland.....	44064
↳	Flex with plug, 3x1,5 black.....	44085
108	Cord anchorage.....	78175
109	Screw 3,5x13.....	70055
110	Base plate, black.....	55047
↳	Base plate, cream.....	55046
111	Feet black.....	11271
112	Screw 3,5x9,5.....	70050
113	Adhesive clip.....	75020
114	Thermojug stainless steel, 2 lt.....	30540
115	Printed circuit board.....	48040
116	Printed circuit board support.....	48050
117	Tightening clip.....	54161
118	Lock washer M4.....	74020
119	Screw M4x10.....	71010



the coffeemaker makers.

AMERONGEN - HOLLAND

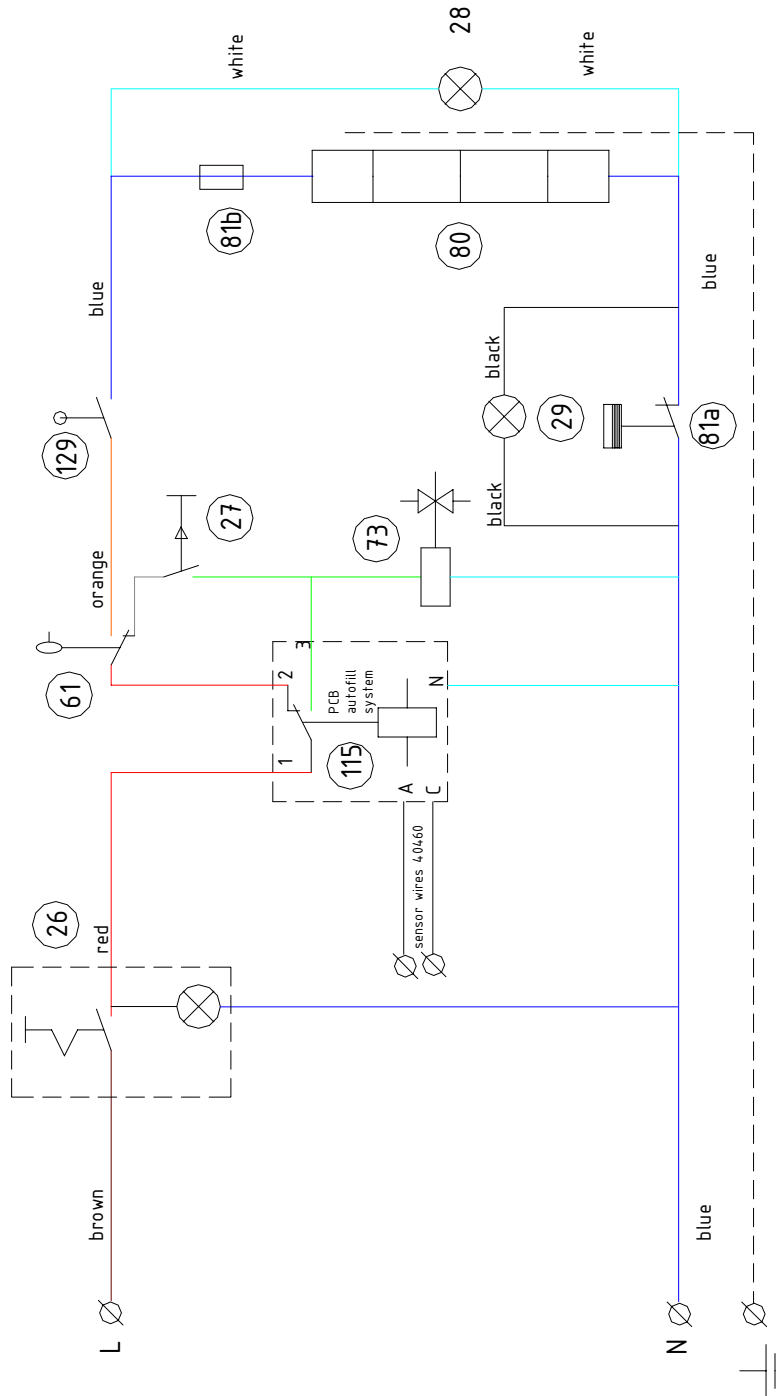
SPARES LIST FOR TSIIX AUTOFILL

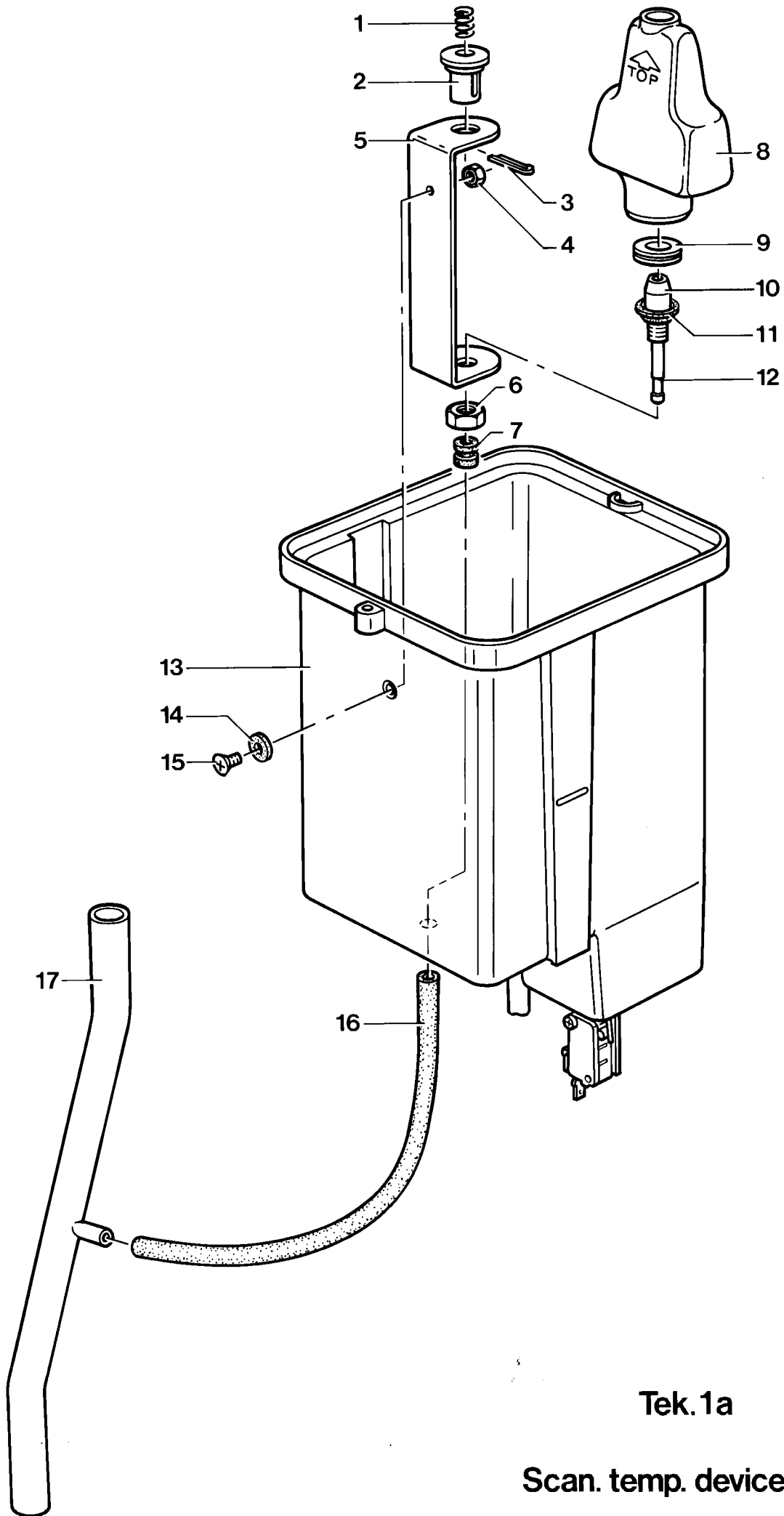
<u>Item.</u>	<u>Description.</u>	<u>Code.</u>
120	Screw with lockwasher.....	70081
121	Fixation plate, printed circuit board.....	54011
122	Lock washer M5.....	74024
123	Screw M5x10.....	71070
124	Bottom plate.....	11372
125	Screw M3x8.....	71060
126	Fixation overflow tube.....	51030
127	Screw M3x8.....	71060
128	Screw M3x16.....	73000
129	Microswitch 16 Amp.....	43335
129	Lever microswitch.....	43337
130	Fixation plate microswitch.....	54148
131	Screw 2,9x6,5.....	73050
132	Operation knob.....	16650
133	Front handle right.....	11135
↳	Front handle right, complete (Incl. 128 - 134).....	11136
134	Rubber feet.....	61150
135	Capring black.....	12332
136	Parker 4,2x13.....	70040
137	Capring black.....	12332
138	Feet plate.....	16700

TSIIX AUTOFILL – electrical diagram

TYPE: THERMOSERVE IIX autofill

MODEL: TS 085/A





Tek.1a

Scan. temp. device



the coffemaker makers.

AMERONGEN - HOLLAND

Item.	Description.	Code.
001	Spring, stainless steel	54076
002	Catch	54060
003	Split pen, stainless steel	77200
004	Nut M4, stainless steel	72045
005	Bracket, "Scan-temp device"	54055
006	Nut M8, brass	72050
007	Grommet	60210
008	Vezzel	12035
009	
010	Vezzel conductor	54065
011	Sealing rubber	60075
012	Connection part	54070
013	Watercontainer, 1,8 ltr	11055
	Watercontainer, 1,8 ltr, autofill	11056
	Watercontainer, 1,8 ltr, MOCCAING <i>autofill</i>	11057
	Watercontainer, 1,8 ltr, MOCCAING	11058
014	Rubber sealing ring	61190
015	Screw M4, stainless steel	71040
016	Silicon tube	60200
017	Bended watertransportpipe MOCCAING, 318mm, Norway	56882
↳	Bended watertransportpipe MS – MT - MF, 268mm, Norway	56870
↳	Bended watertransport pipe Thermoking, 388mm, Norway	56892

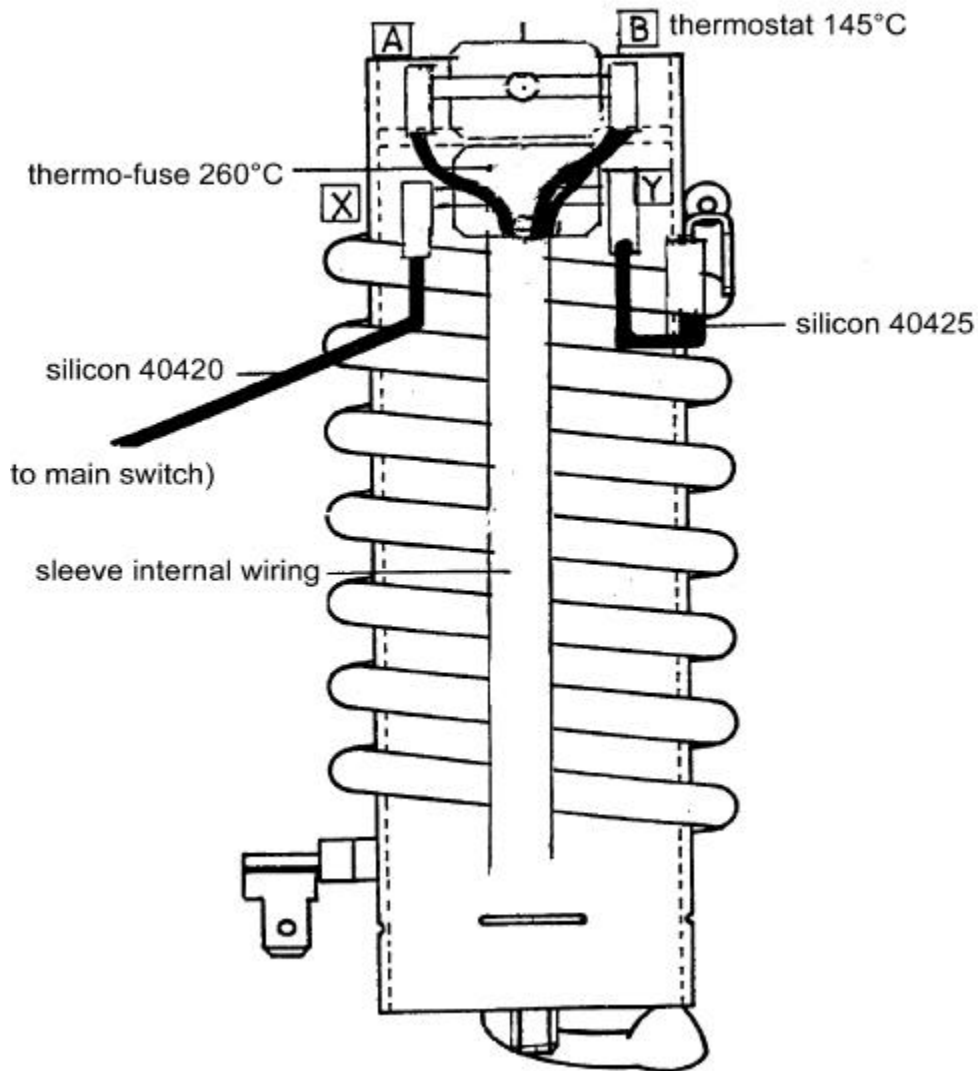
service announcement

Boiling element 2200W/240V code: 45200 - 45201

Thermostat 46200 and thermo-fuse 43540 are replaced by thermostat/thermofuse combination 46260, starting with production code 0003000.

Old number: 45200 —————> New number: 45202
Old number: 45201 —————> New number: 45203

Modification of older machines by means of extra wires 40420 and 40425 according to diagram.



service announcement

Boiling element 2200W/240V code: 45200 - 45201

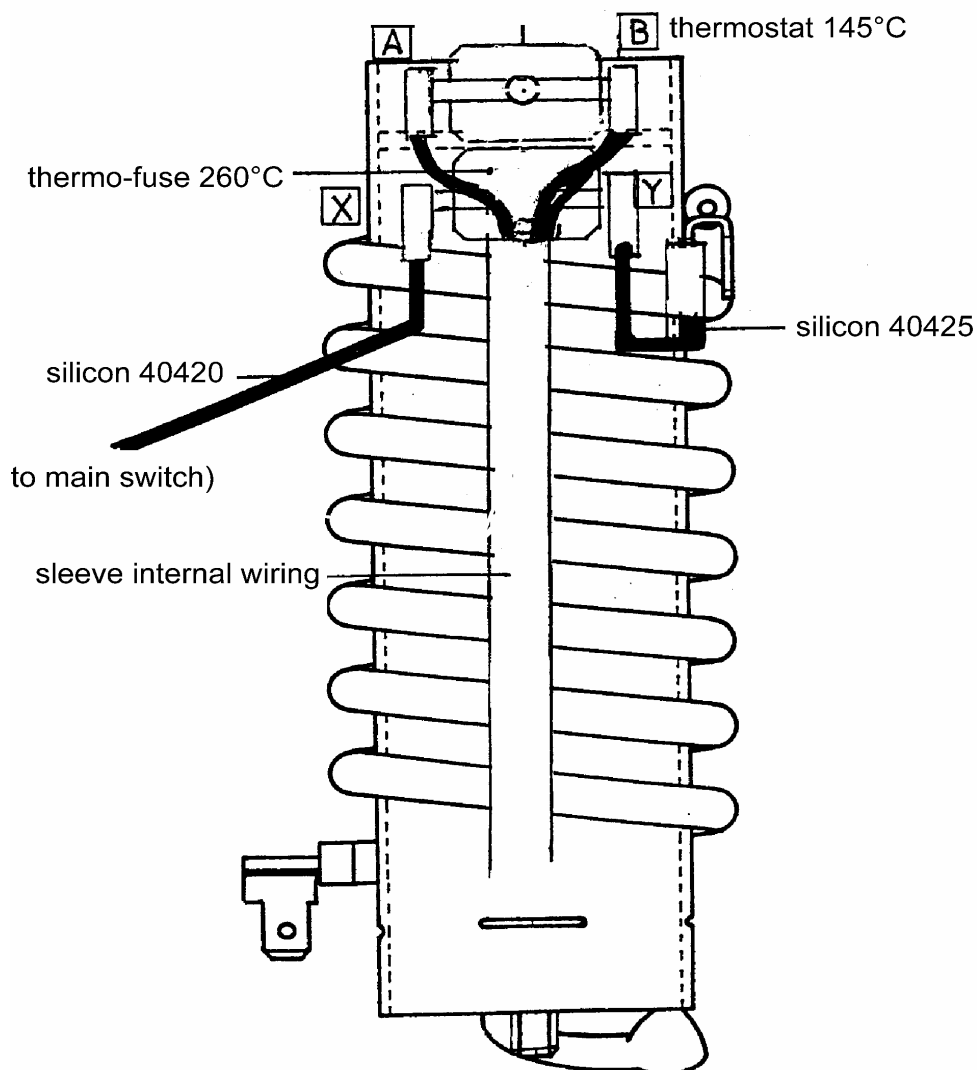
Boiling element 2200W/230V code: 45205 - 45206

Boiling element 3000W/240V code: 45220

Thermostat 46200 and thermo-fuse 43540 are replaced by thermostat/thermofuse combination 46260, starting with production code 0003000.

<u>Old number: 45200</u>	—————▶	<u>New number: 45202</u>
<u>Old number: 45201</u>	—————▶	<u>New number: 45203</u>
<u>Old number: 45205</u>	—————▶	<u>New number: 45208</u>
<u>Old number: 45206</u>	—————▶	<u>New number: 45209</u>
<u>Old number: 45220</u>	—————▶	<u>New number: 45221</u>

Modification of older machines by means of extra wires 40420 and 40425 according to diagram.



service announcement

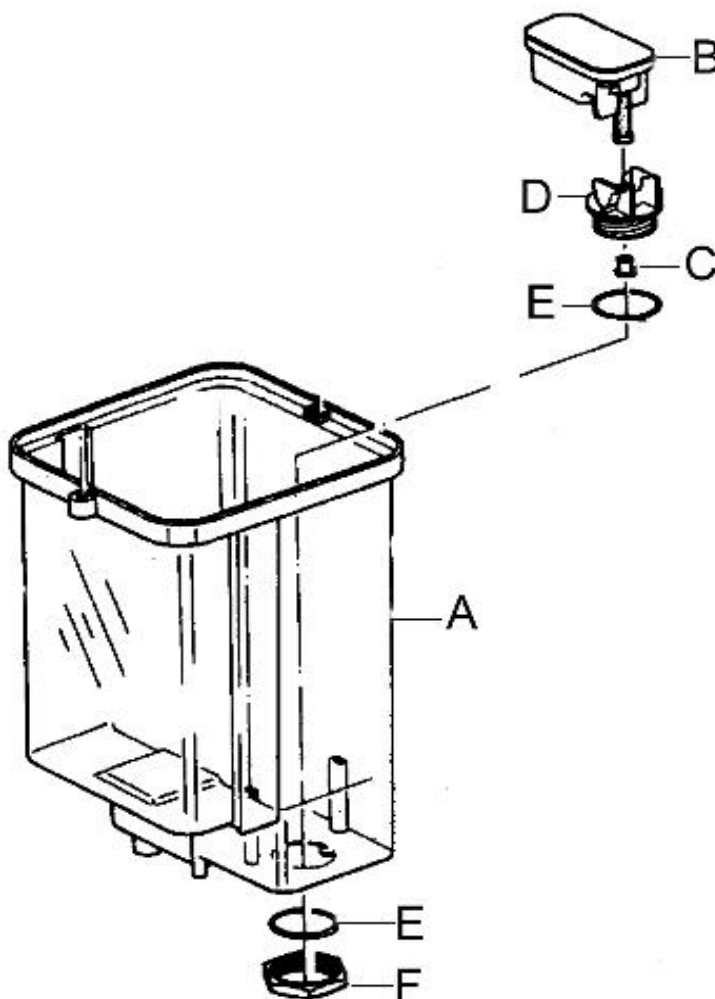
Cold water container 1,8 ltr. (pos. A) code: 11050

Cold water container 1,8 ltr. has been modified, float connection (pos. D) code is integrated in the new cold water container.

Float (pos. B) is placed directly into the water container (pos. A) and locked with the tightening socked (pos. C).

Introduction: april/may 2000

Old containers can be replaced without any problems, "O"- ring (pos. E) and nut PG 21 (pos. F) are no longer required.



service announcement

1.8 Lt. Coffeemakers

NEW PTC heating element starting with serial no. 0202000

Replacing old type hotplate by new PTC element

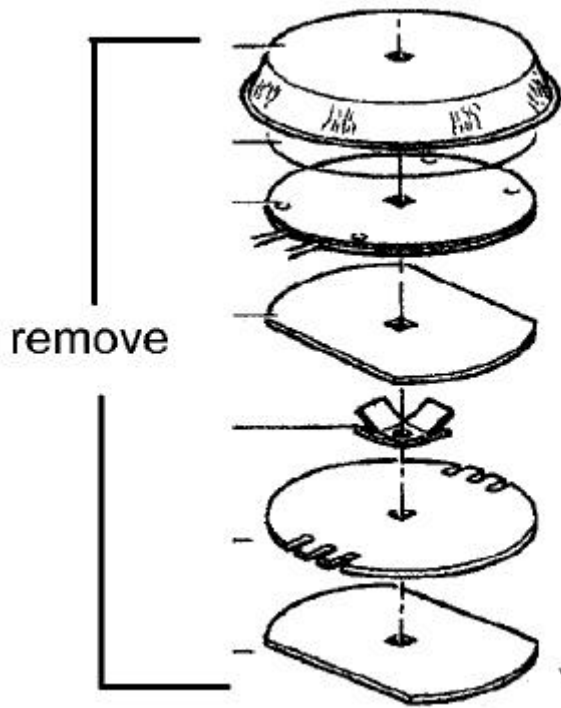


fig. 1

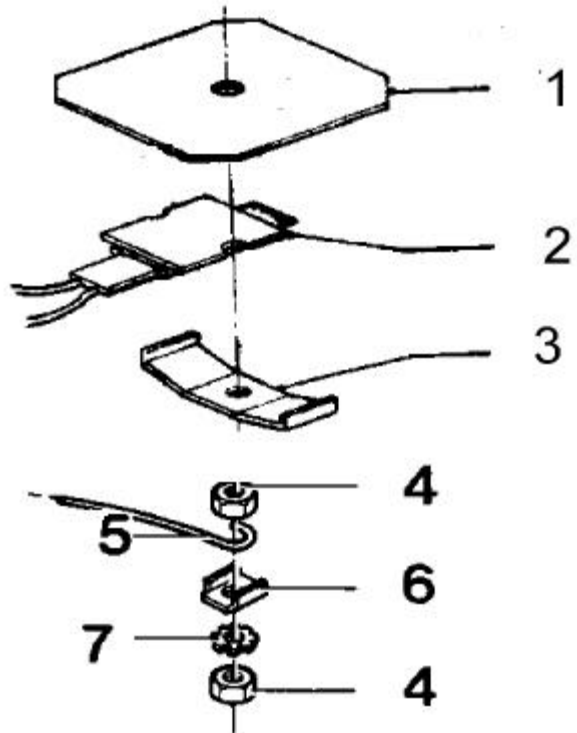


fig. 2

Instruction:

Remove old element and fixation parts fig. 1 and replace new PTC element according to fig. 2

Lower base plate Moccaking

- 1 Aluminium disk hotplate 55410
- 2 Hotplate element replacement for 41750 and 41850 → 41260

Electrical connection:

- | | | |
|----------------|---|---------------|
| Old | | new |
| red/blue | → | blue |
| red | → | brown/black |
| blue on boiler | → | no connection |

- 3 Tightening spring hotplate elem. 56976
- 4 Nut M6 72035
- 5 Earth wire
- 6 Earth clip, M6 78151
- 7 Toothed washer M6 74025

Upper base plate Moccaking/moccaserver
Lower base plate Moccaserver

- 1 Aluminium disk hotplate 55410
- 2 Hotplate element replacement for 41710 and 41810 → 41265
- 41711 → 41266

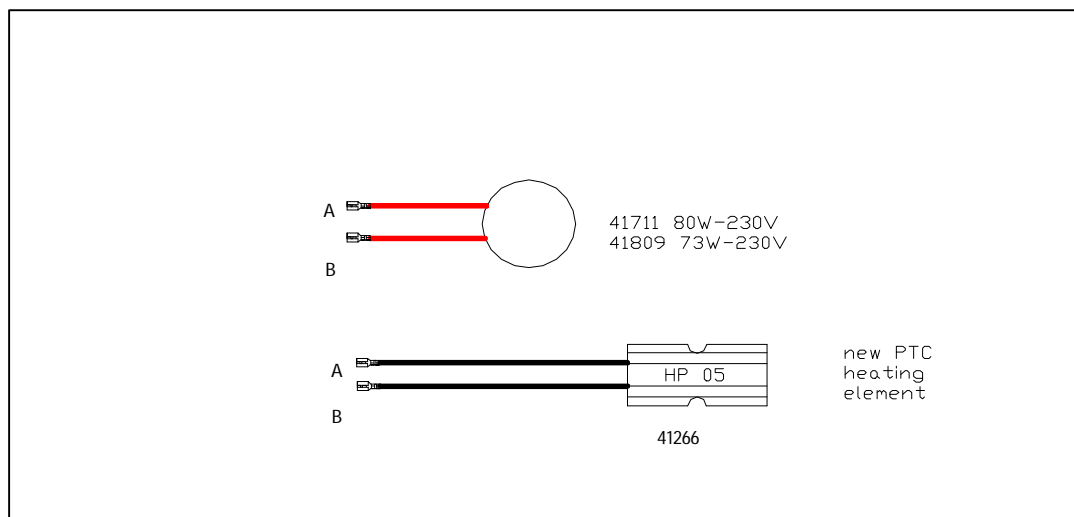
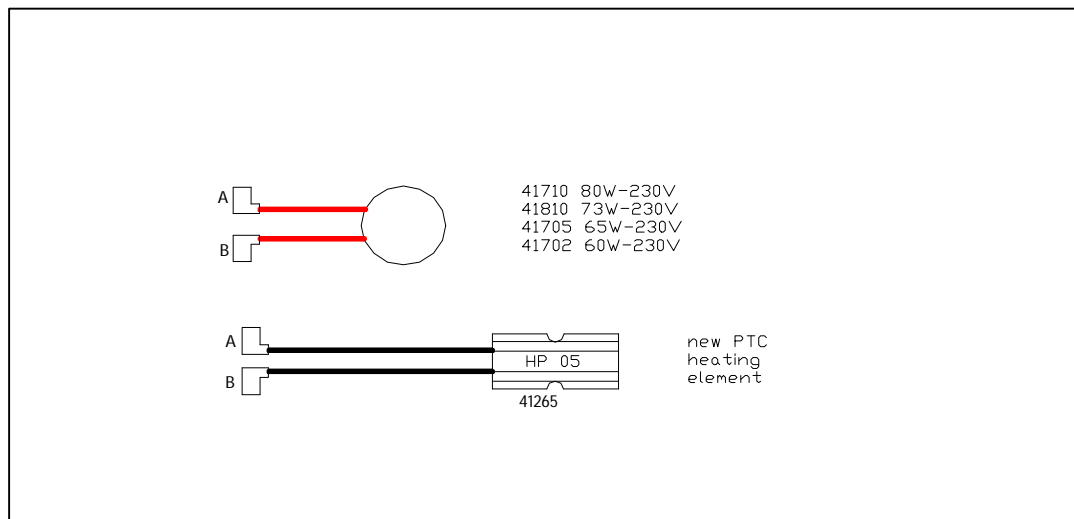
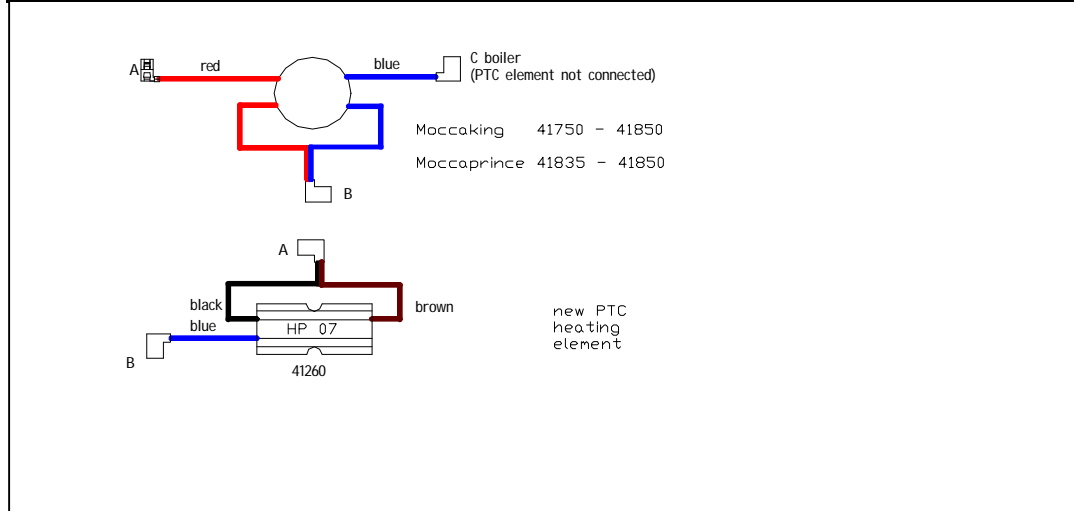
Electrical connection:

- | | | |
|------------|---|------------|
| Old | | new |
| blue | → | black |
| blue | → | black |

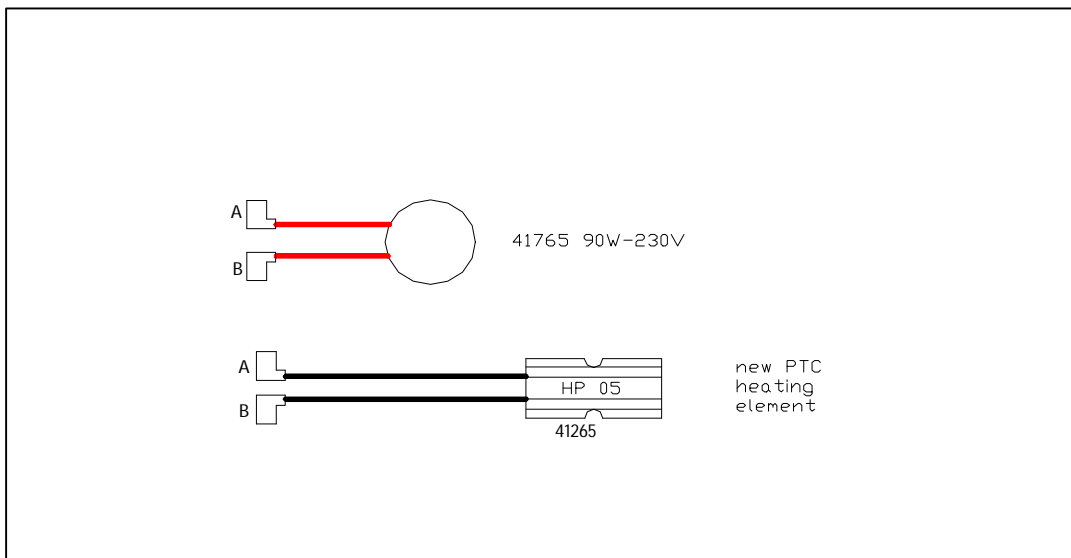
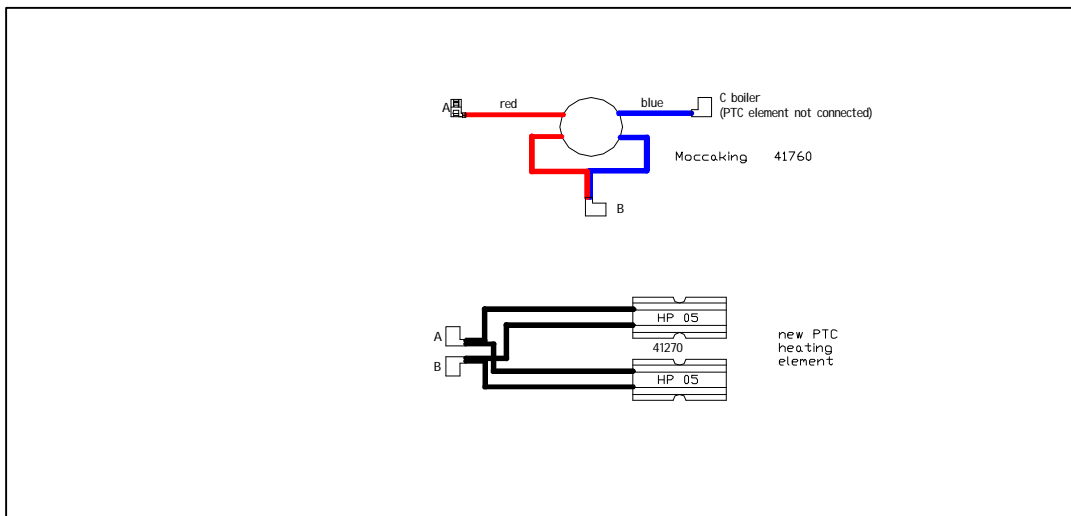
- 3 Tightening spring hotplate elem. 56976
- 4 Nut M6 72035
- 5 Earth wire
- 6 Earth clip, M6 78151
- 7 Toothed washer M6 74025

typ:		old hotplate elem.	new hotplate elem.		
Moccaking		41750/41850	41260	HP 07	6,3 fast.
		41710/41810	41265	HP 05	
autofill	upper base plate	41711	41266	HP 05	4,8 fast.

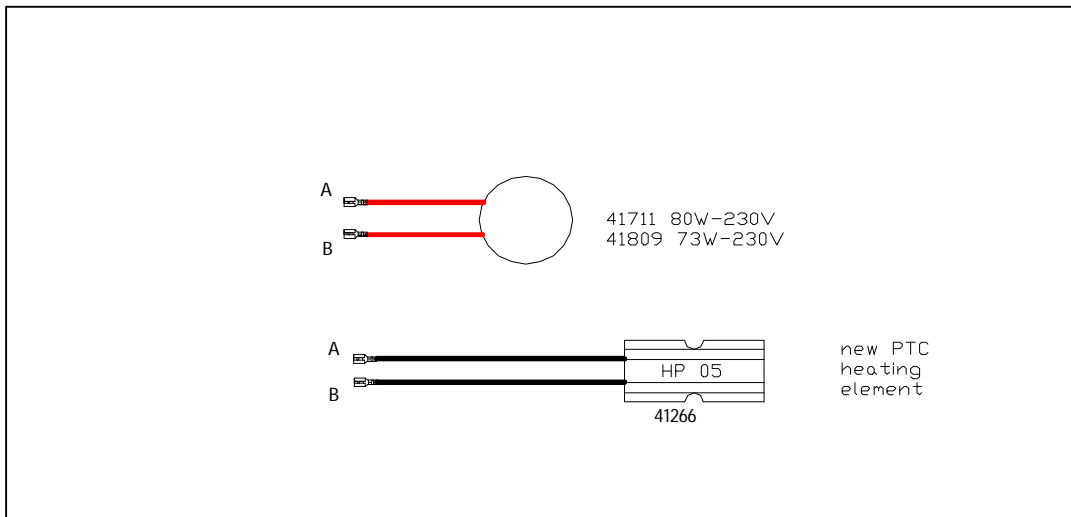
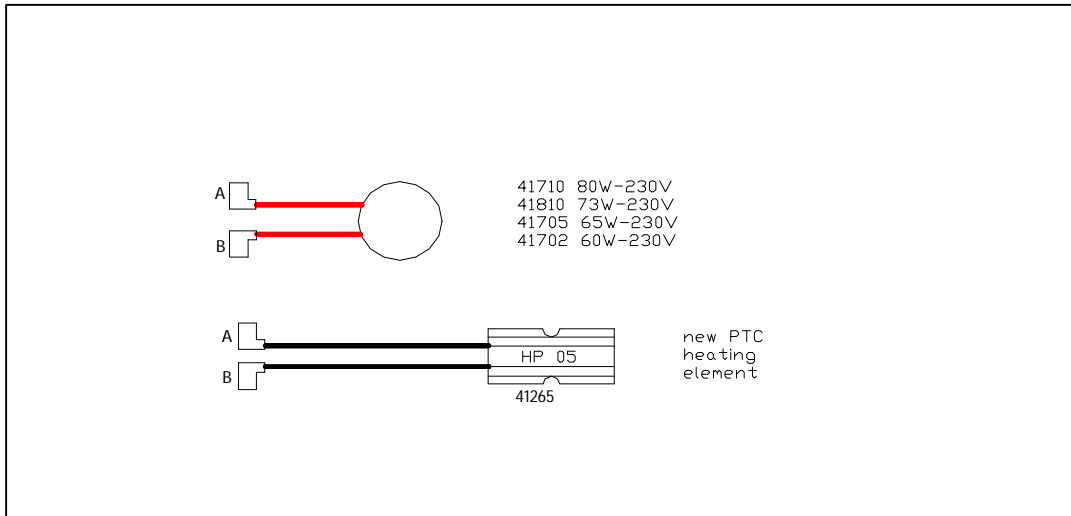
Moccaprince	41835/41850	41260	HP 07	
	41702/41705	41265	HP 05	6,3 fast.



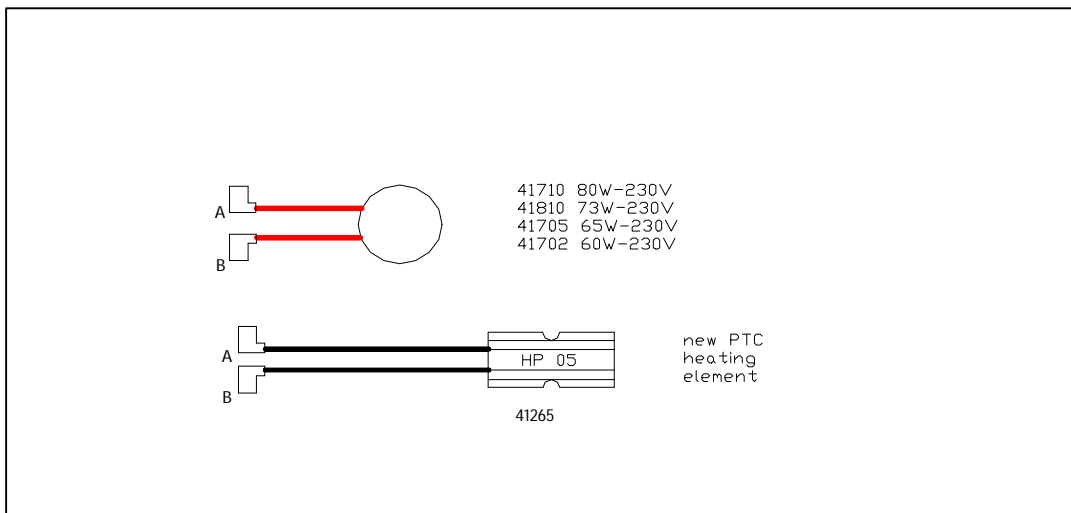
Ireland	lower base plate	41760		41270	2x HP 05	
	upper base plate	41765		41265	HP 05	6,3 fast.



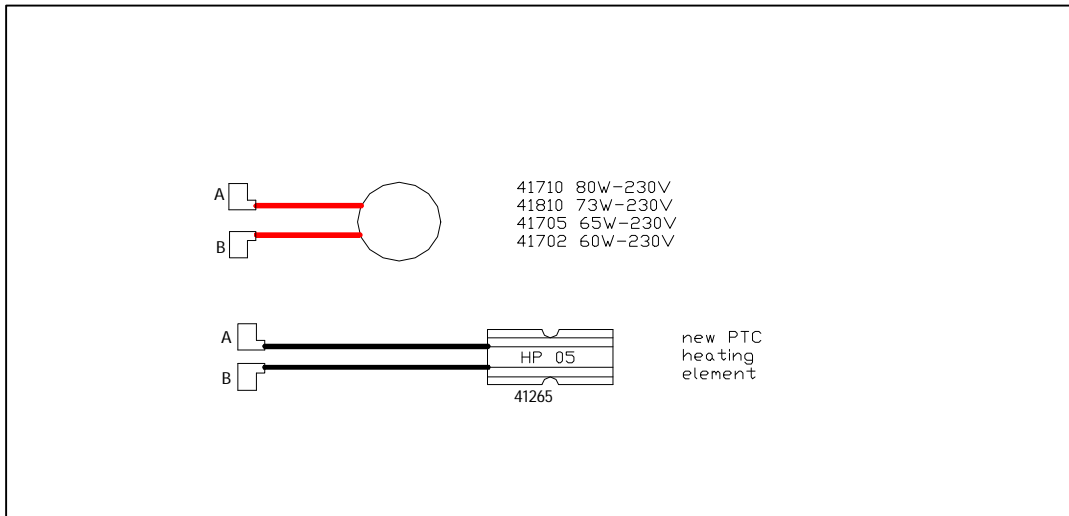
Moccaserver autofill	upper base plate	2x 41710 41711		2x 41265 41266	HP 05 HP 05	6,3 fast. 4,8 fast.
-------------------------	------------------	-------------------	--	-------------------	----------------	------------------------



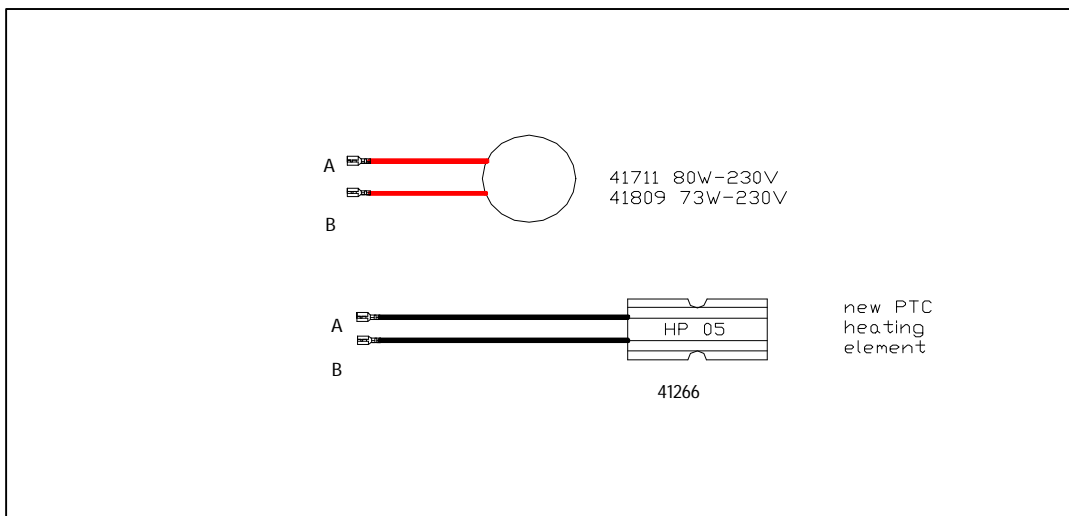
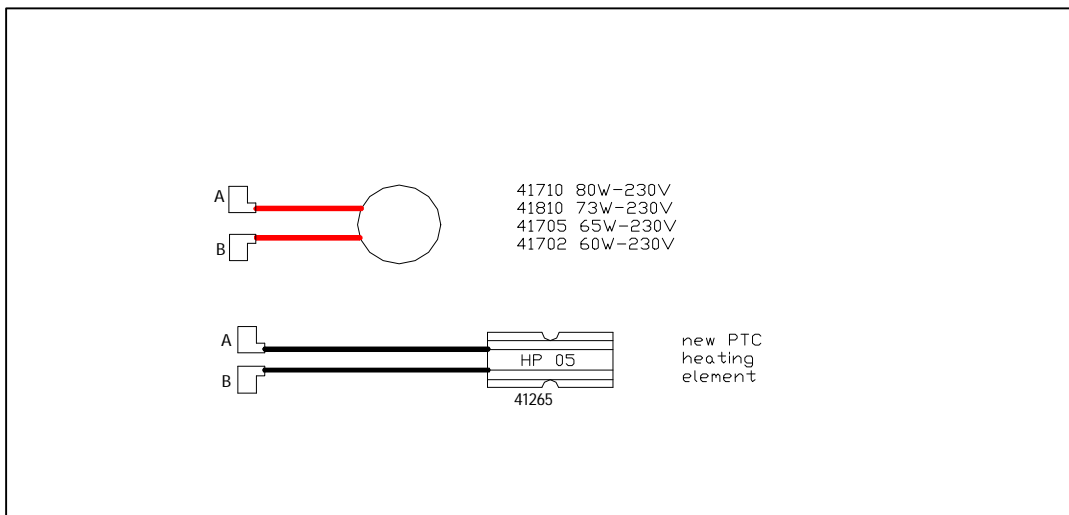
Moccaserver E		2x 41710		2x 41265	HP 05	6,3 fast.
Moccaserver S		41710		41265	HP 05	6,3 fast.



Moccafour		41810	41265	HP 05	6,3 fast.
-----------	--	-------	-------	-------	-----------



Moccatwin		41809	41266	HP 05	4,8 fast.
		41810	41265	HP 05	6,3 fast.



service announcement

Replacement for temperature sensor 46310

The temperature sensor 46310, with a brass housing, is replaced by another type sensor 46310/A with a stainless steel housing, starting with serial number 0202348

The temperature sensor is used in Aquaserver, Moccatwin and Thermotwin

Old sensor (brass) : 46310	—————>	New sensor (stainless steel) : 46310/A
Old PCB : 48010 - 48015	—————>	New PCB : 48010/A - 48015/A
Old sealing ring : 63250	—————>	New sealing grommet : 62170
Old container : 11068		New container : 11068/A

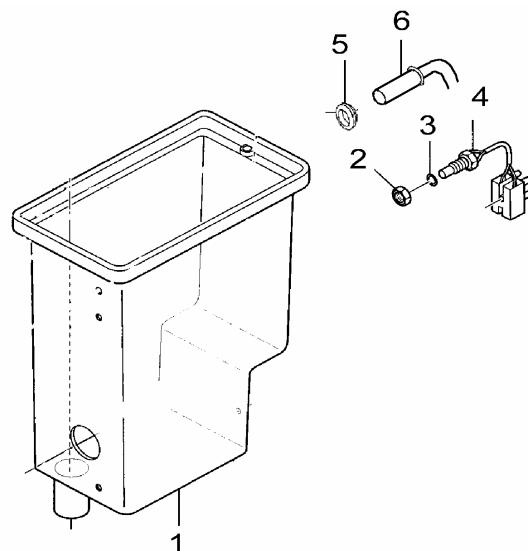
Attention:

When the old sensor must be replaced it is necessary to change also the printed circuit board 48010 or 48015

The new sensor has a bigger diameter and another sealing, so the hotwatercontainer must be modified or replaced by a new type 11068/A

Instruction :

1. Remove the nut (2), the old sensor (4) and the rubber sealing ring (3) from the container
2. Increase the diameter of the fixing hole to 12 mm by drilling a bigger hole, or replace the container (1) by a new type 11068/A
3. Insert the new rubber grommet (5) in the fixing hole.
4. Push the new sensor (6) through the grommet into the container
5. Connect the wires in the block terminal
6. Replace the old PCB 48010 or 48015 by a new PCB 48010/A or 48015/A



service announcement

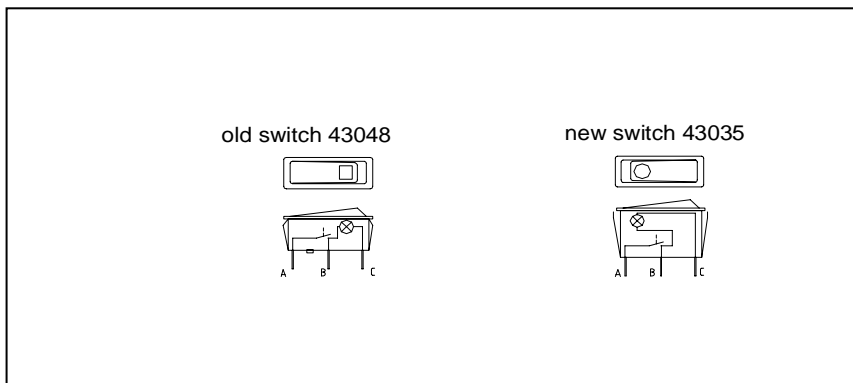
The illuminated switch code: 43048 (black) for:
TSIXE, Moccaserver, Moccastar Thermo, will be replaced
by illuminated switch: 43035 (black) .

Reason:

After receiving complains about broken switches, we found a replacement for the old switch.
The new switch 43035, Arcoelectric type C6003, is splashproof, rated 16(4)A 250V T125
Approvals: European ENEC 15, UL file E45221, CSA file LR10990

ATTENTION:

The illuminated lens of the new switch must be in the opposite direction as the old switch.
Electrical connections are similar.



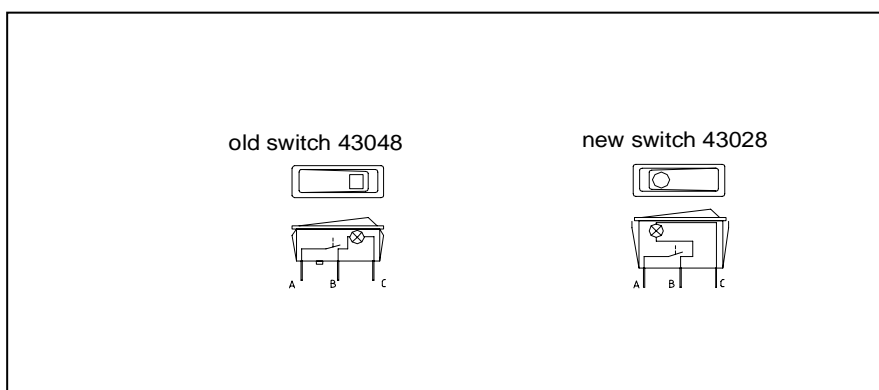
The illuminated switch code: 43048 (black) for:
Moccastar, will be replaced
by illuminated switch: 43028 (black) .

Reason:

After receiving complains about broken switches, we found a replacement for the old switch.
The new switch 43028, Arcoelectric type C5503, rated 16(4)A 250V T125

ATTENTION:

The illuminated lens of the new switch must be in the opposite direction as the old switch.
Electrical connections are similar.

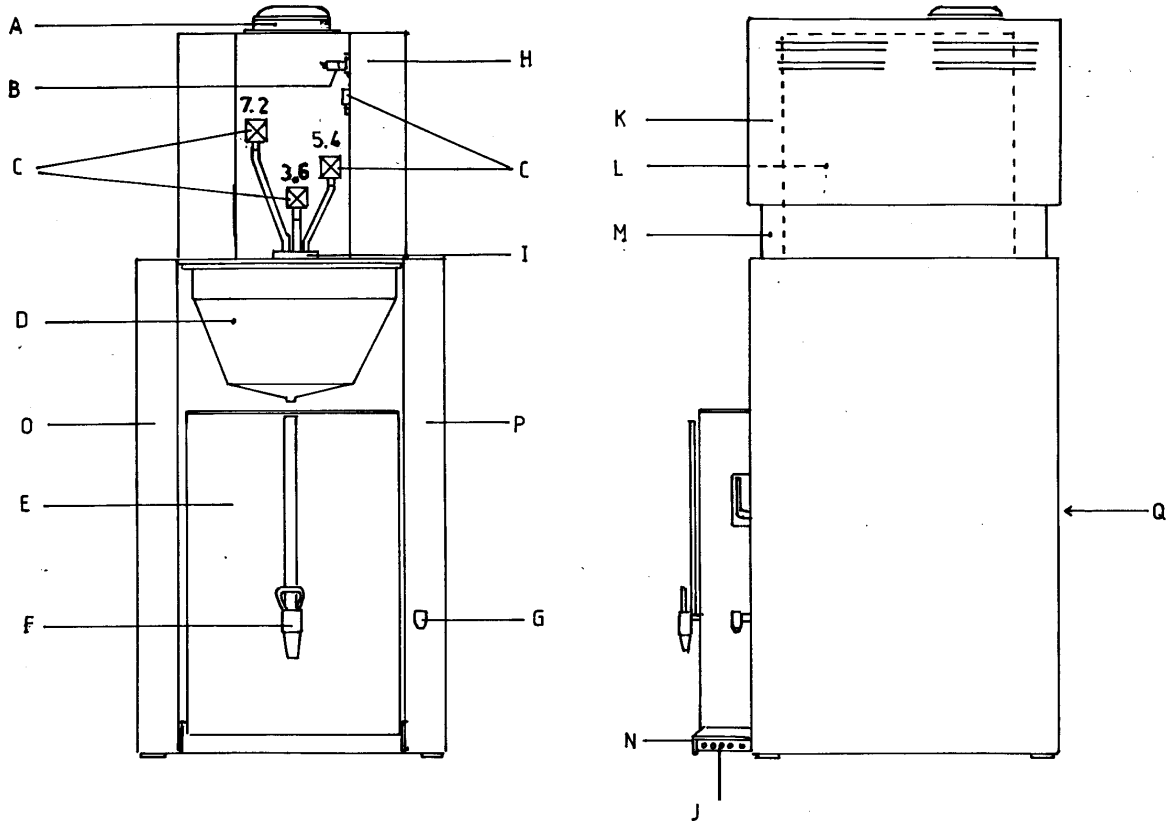


SPARES LIST FOR CLUBMASTER

CONTENTS:

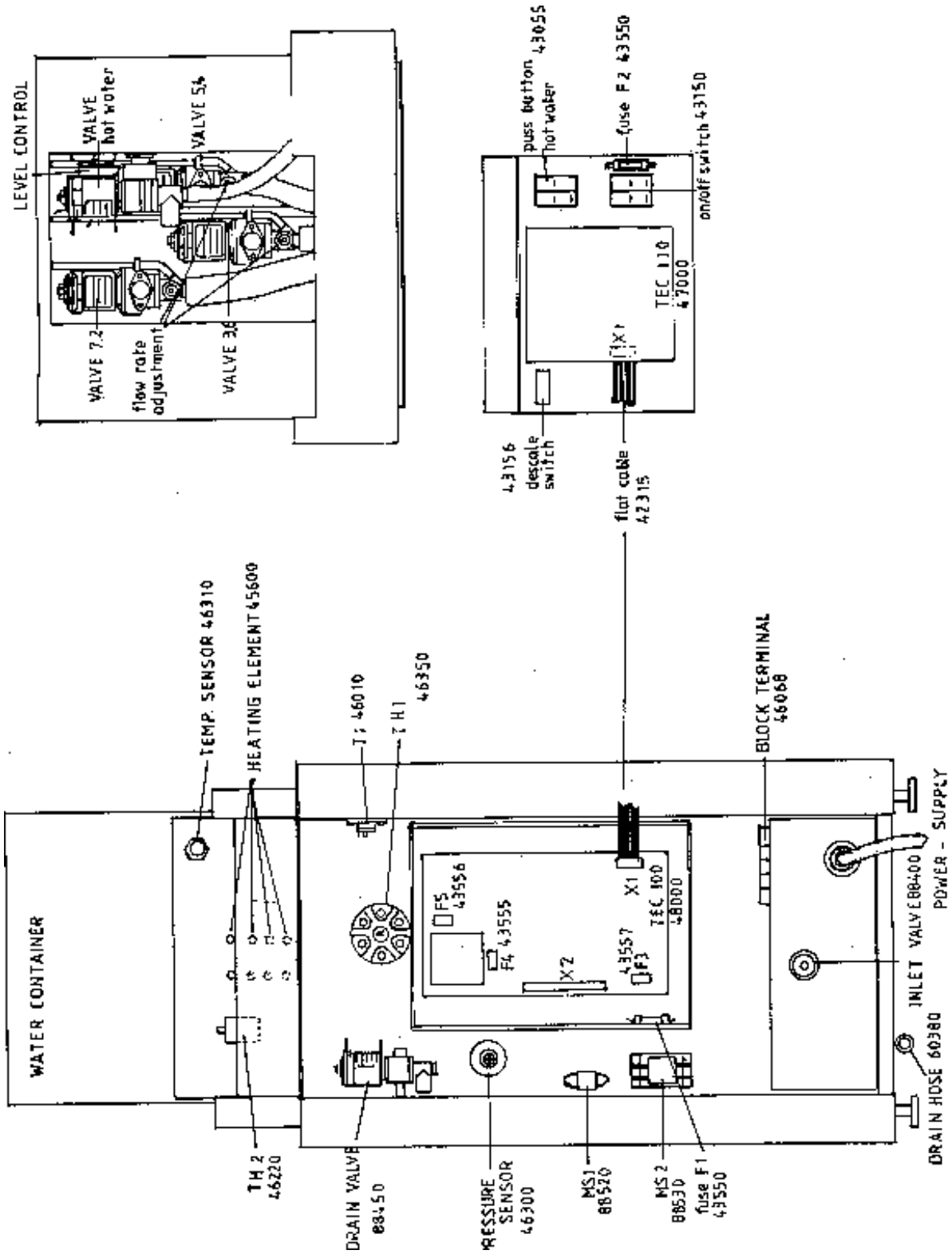
<u>Discription:</u>	<u>page</u>
Main parts Clubmaster	2
Technical parts	3
Bottomplate coffeemaker	4
Fixationplate	5
Inner panel	6
Side panel right	7
Side panel left	8
Fixing bracket PCB housing	9
Housing "PCB"	10
Lower section back	11 - 14
Water container	15 - 21
Control panel	22
Drawer coffeecontainer	23
Coffeecontainer	24 -26
Electrical diagram CLUBMASTER/A	27
" CLUBMASTER/B	28
" CLUBMASTER/C	29
" CLUBMASTER/D	30
Adjustments	31-33
Possible faillures	34-35

SPARES LIST FOR CLUBMASTER



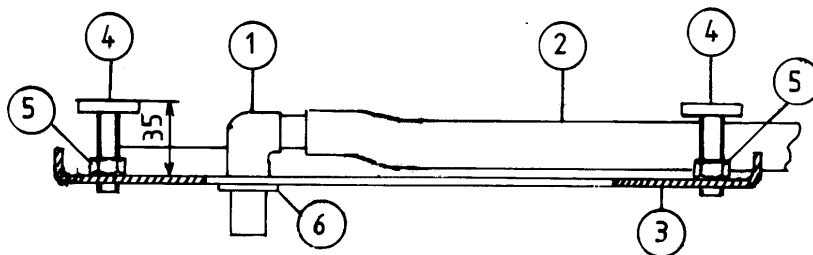
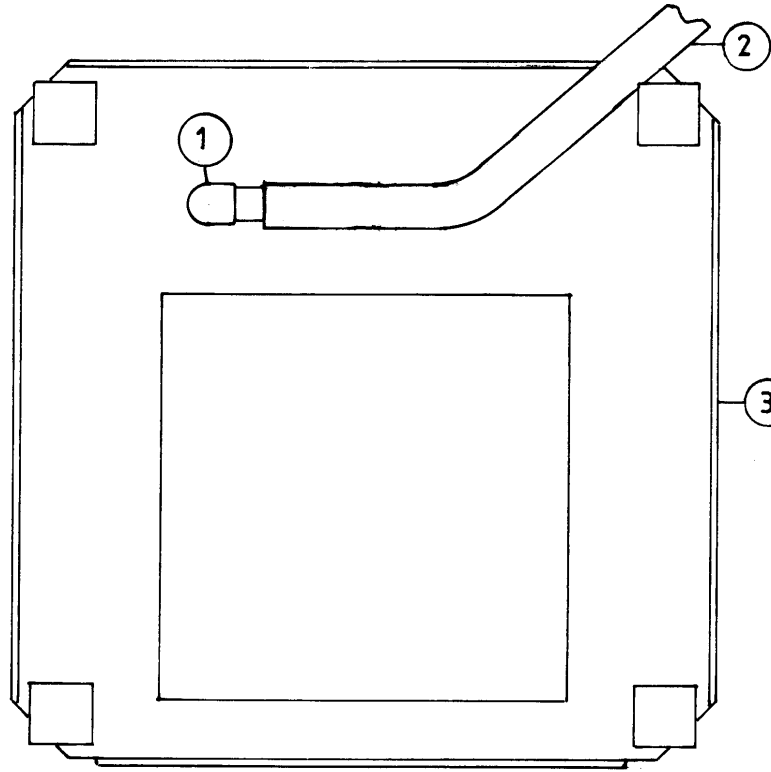
Item	Description	Code
A	Lid filler opening	30506
B	Micro switch.....	43360
C	Discharge valve.....	88450
D	Filterholder	56254
E	Container	54765
F	Tap	54950
G	Hot water run off.....	54900
	Lid run off	54901
H	Watercontainer.....	54725
I	Sprayhead	16225
J	Drawer guide	54681
K	Cover coffeemaker.....	16311
L	Insulation hood.....	93500
M	Intermediate band	54671
N	Drawer.....	54735
O	Side panel left.....	54643
P	Side panel right	54648
Q	Rear panel.....	54611

SPARES LIST FOR CLUBMASTER



SPARES LIST FOR CLUBMASTER

Bottomplate coffeemaker, assembly 54635

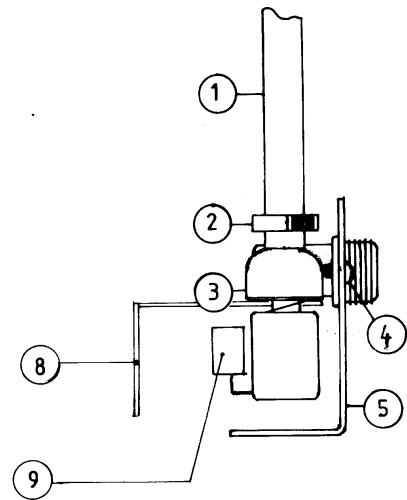
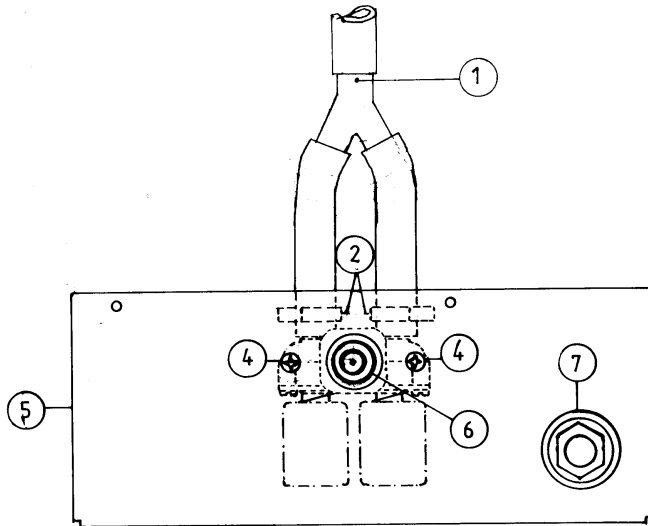


Item	Description	Code
001	Connection drain	54831
002	Drain hose 1,5 mtr.....	60380
003	Bottom plate coffeemaker	54360
004	Levelling foot	61168
005	Nut M10.....	72080
006	Fastener	78225
007	Hot water run off.....	54900

SPARES LIST FOR CLUBMASTER

Fixationplate, assembly

54605

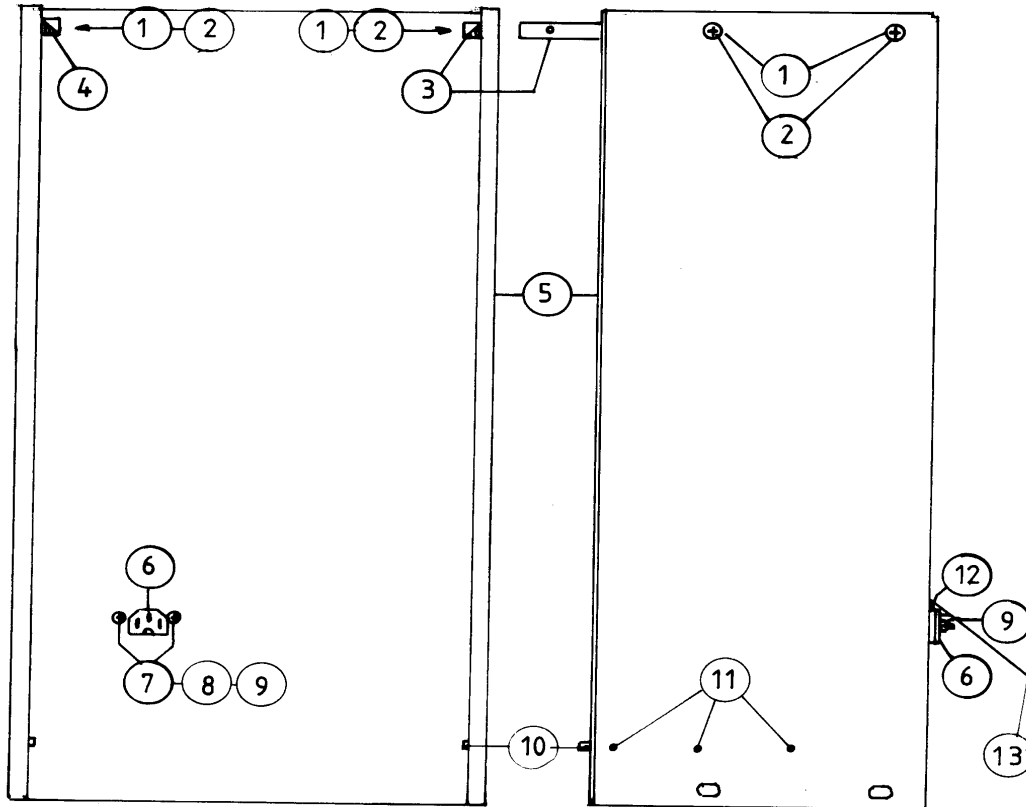


Item	Description	Code
001	"Y" piece	88490
002	Hose clamp.....	78500
003	Inlet valve	88400
004	Screw M4x10.....	71030
005	Fixationplate	54601
006	Non return valve	88410
007	Cord anchorage.....	11262
008	Protective foil inletvalve.....	88210
009	"RC" filter.....	42325

SPARES LIST FOR CLUBMASTER

Inner panel, assbly

54625

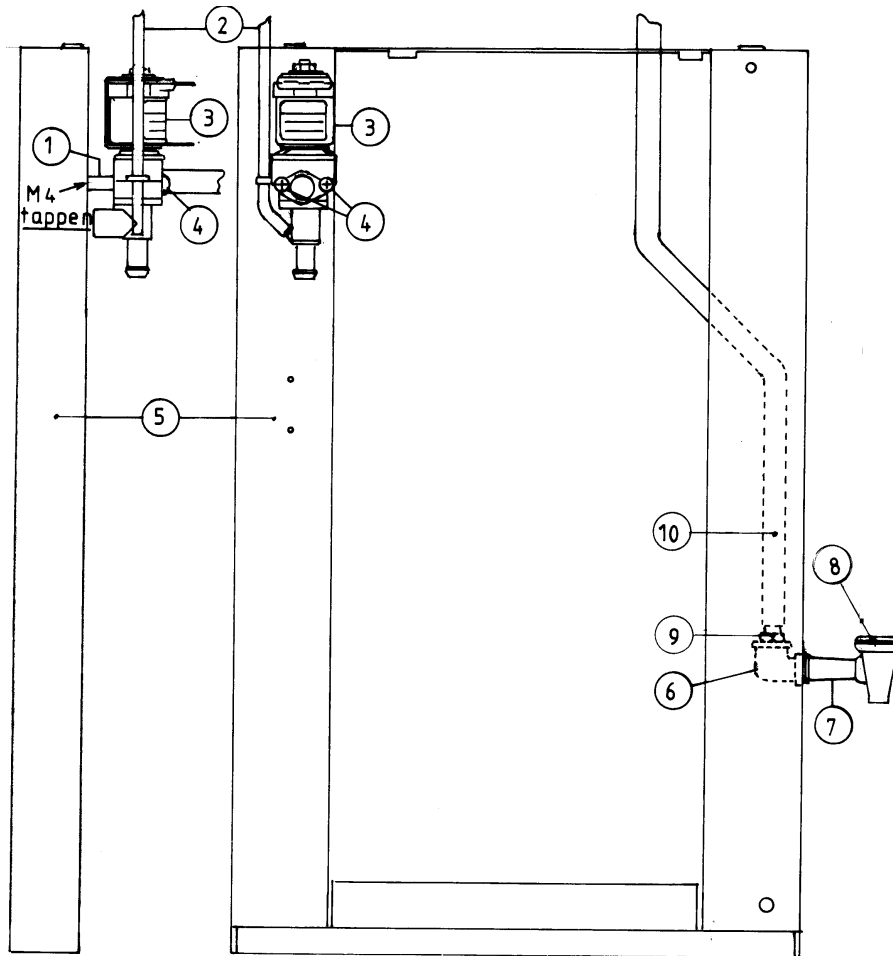


Item	Description	Code	P/M	Price
001	Screw m4x8, stainless steel.....	71046		
002	Sealing washer.....	12020		
003	Filter guide, left.....	54280		
004	Filter guide, right.....	54280		
005	Inner panel, coffeemaker	54620		
006	Connection socket container.....	46003		
007	Screw M3x12, stainless steel.....	71100		
008	Toothed washer M3.....	74015		
009	Nut M3, stainless steel	72026		
010	Container guide.....	16250		
011	Screw M4x10, stainless steel.....	71040		
012	Rubber sealing connection socket.....	68050		
013	Protective foil connection socket.....	88200		

SPARES LIST FOR CLUBMASTER

Side panel right, assembly

54648

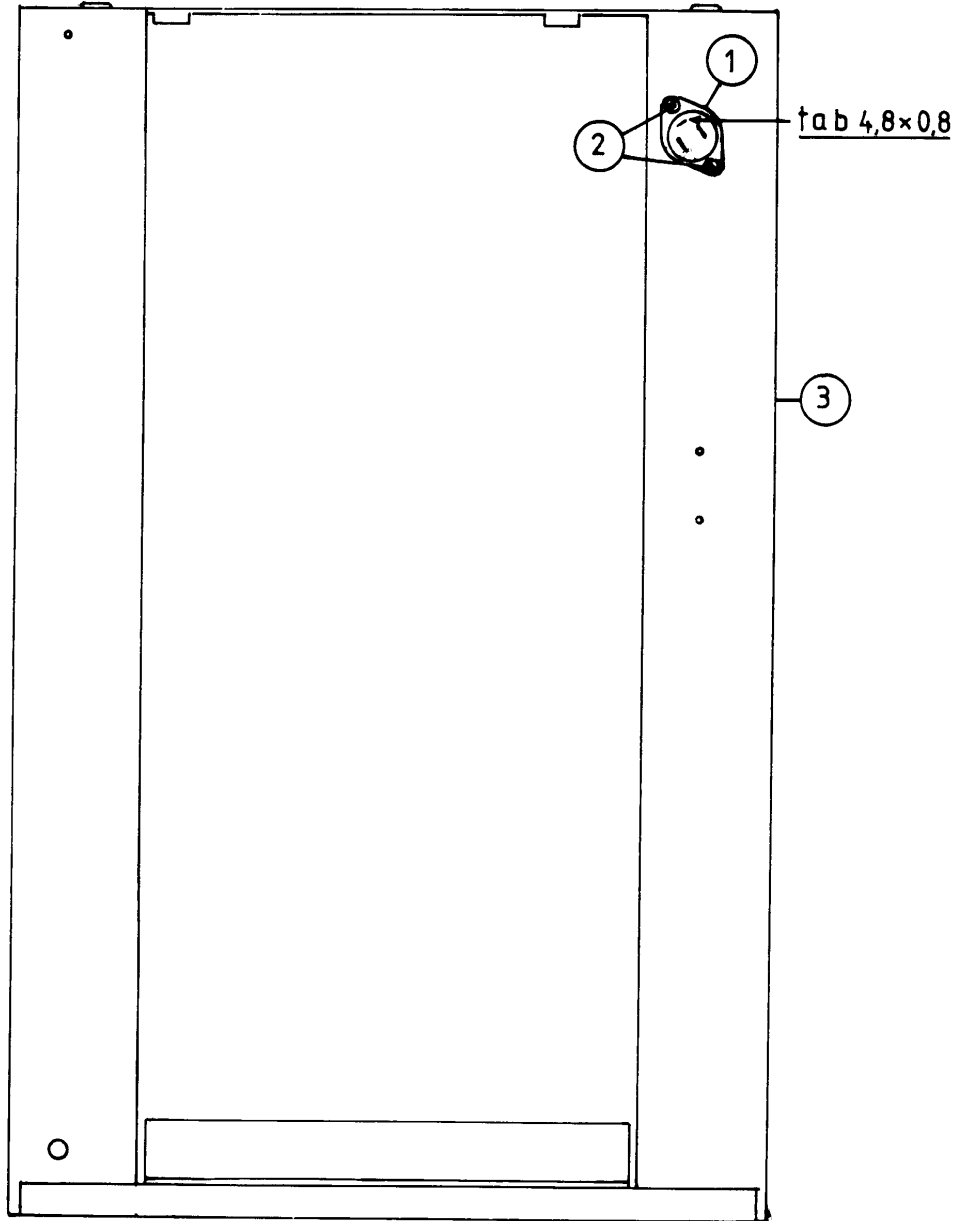


Item	Description	Code
001	Spacing bush 4,2x15, nylon	16050
002	silicon tube, 300mm 6x3	60270
003	Discharge valve	88450
004	Screw M4x45.....	71038
005	Side panel, right	54647
006	knee 1/4"	54810
007	Hot water run off.....	54900
008	Lid hot water run off.....	54901
009	Hose post 1/4"	54860
010	Silicon tube 660mm 12x8.....	60260

SPARES LIST FOR CLUBMASTER

Side panel left, assembly

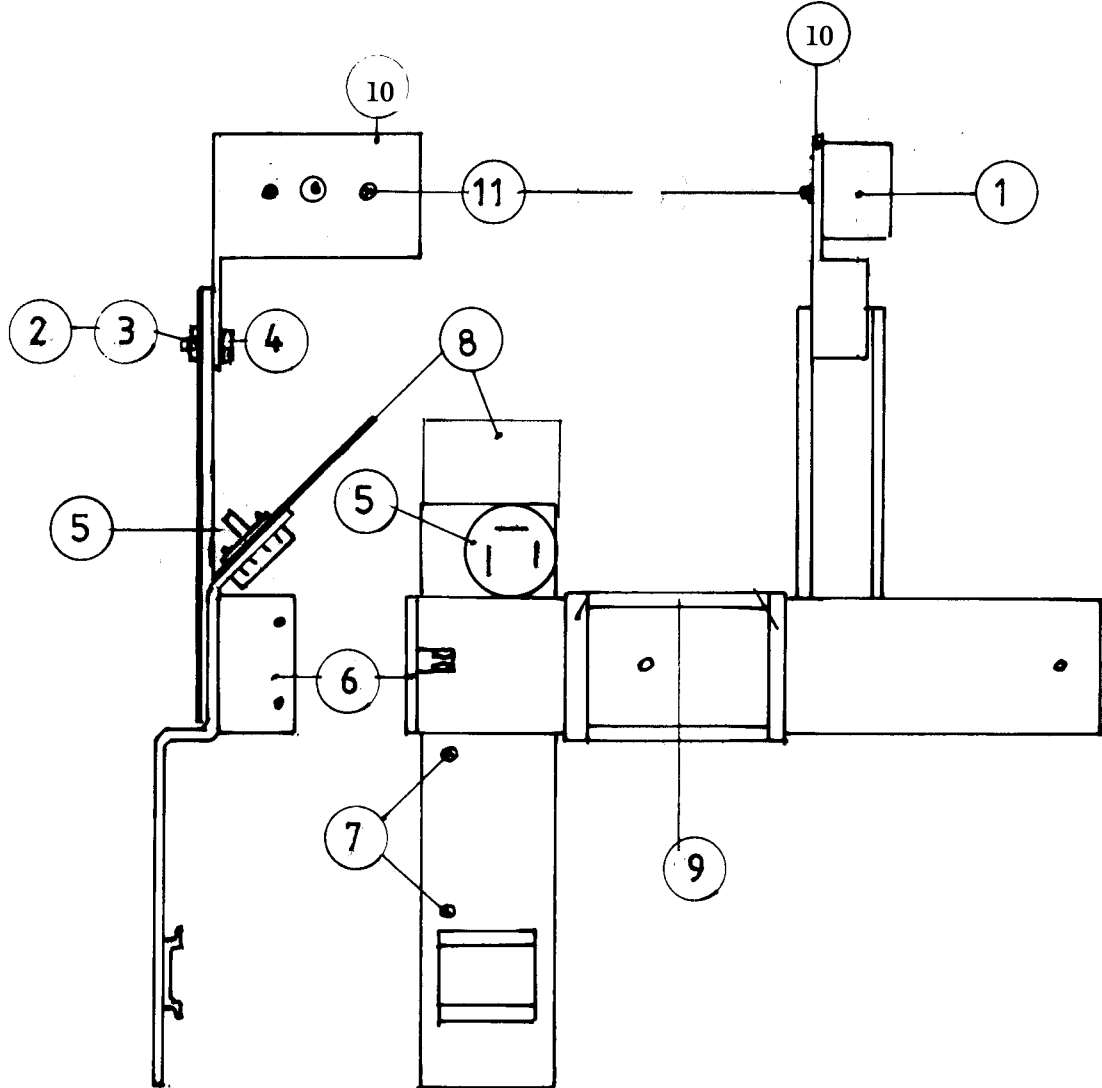
54643



Item	Description	Code
001	Triac	46010
002	Screw 3,5x6,5.....	70050
003	Side panel left.....	54642

SPARES LIST FOR CLUBMASTER

Fixing bracket print housing, assembly 54705

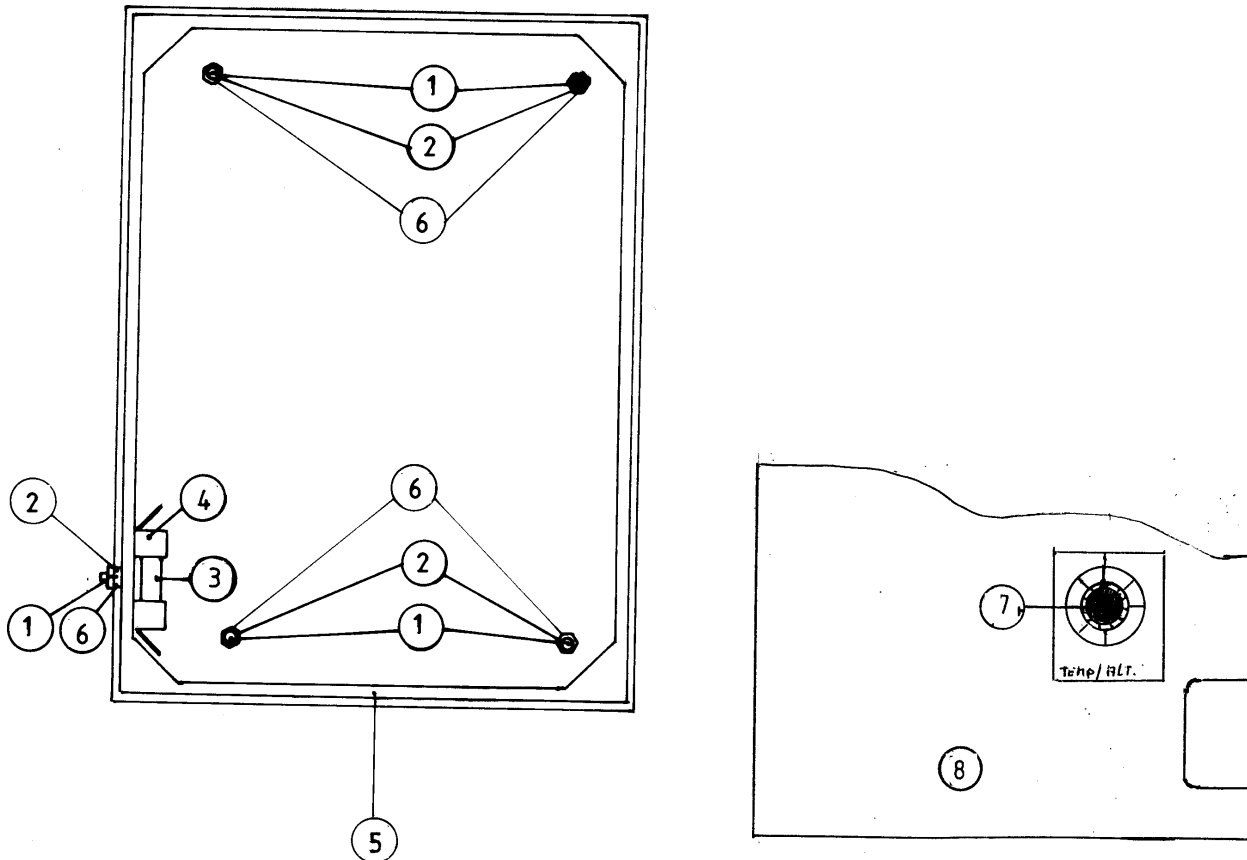


<u>Item</u>	<u>Description</u>	<u>Code</u>
001	Triac	46010
002	Nut M6.....	72035
003	Toothed washer	74025
004	Bolt M6x10	71125
005	pressure sensor	46300
006	Fixing bracket print casing	54700
007	Screw 2,9x6,5.....	73050
008	Protective foil pressure sensor.....	88215
010	Bracket thermal cut-out.....	54695
011	Screw M4x5.....	71003

SPARES LIST FOR CLUBMASTER

Housing Printed Circuit Board

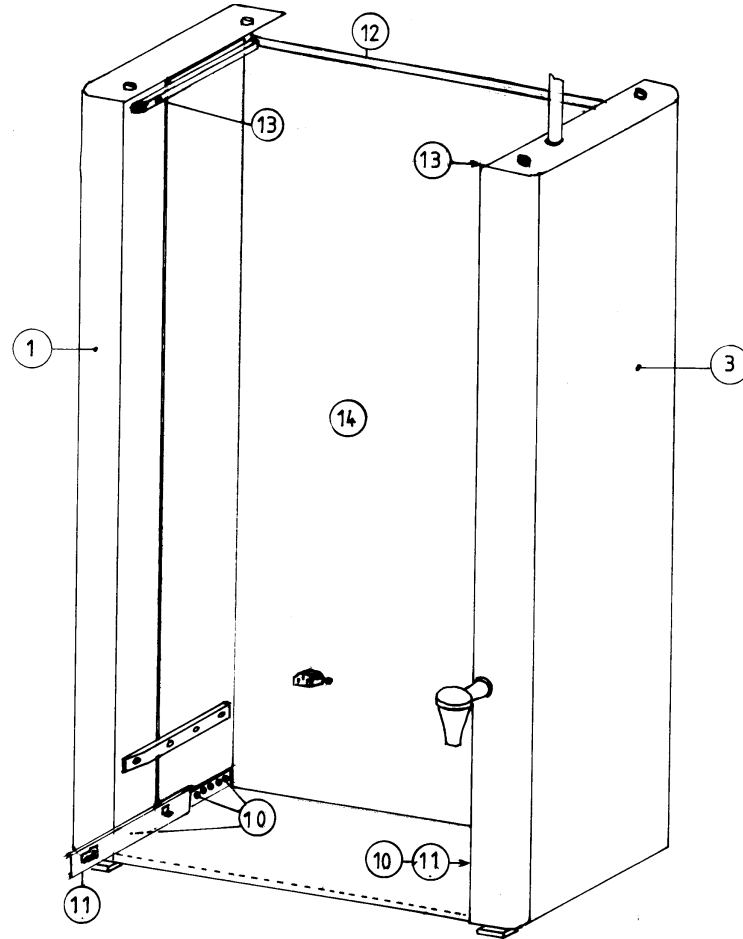
16105



Item	Description	Code
001	Screw M3x10	71128
002	Nut M3.....	72025
003	Fuse 6,3A/230V.....	43550
004	Fuse holder	51410
005	Housing Print.....	16102
006	Toothed washer.....	74015
	→ Housing Print complete	16105
007	Knob temp./alt. Correction	12830
008	Cover housing print	16101

SPARES LIST FOR CLUBMASTER

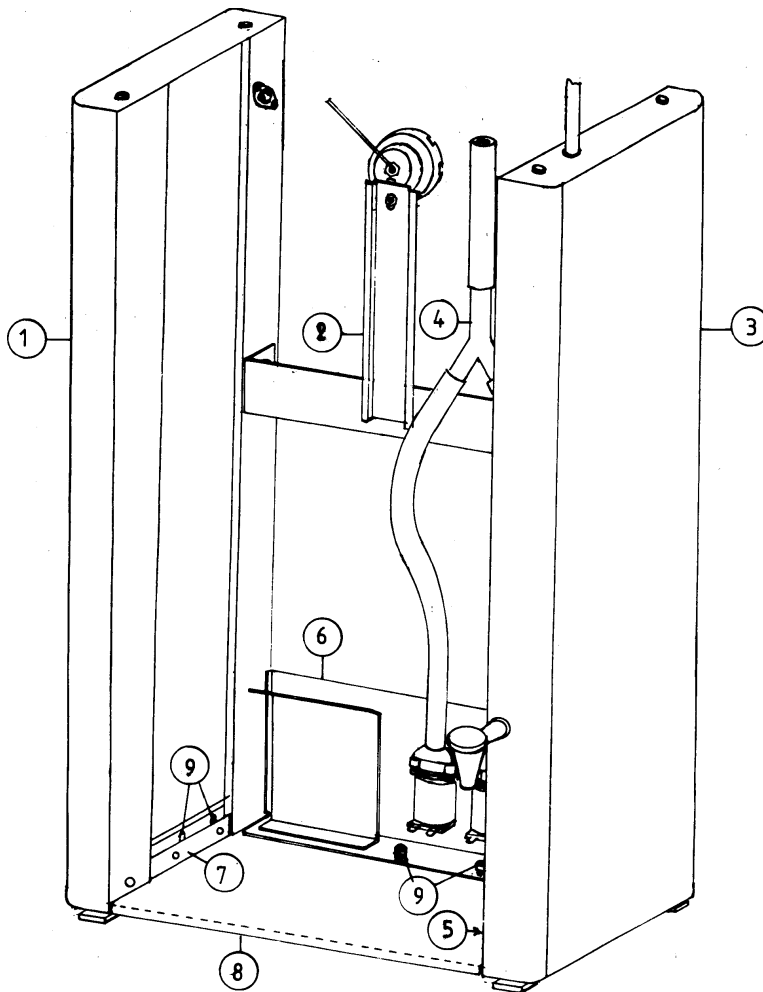
Lower section "front"



Item	Description	Code
001	Side panel left, assembly	54642
003	Side panel right, assembly	54648
010	Screw M4x10.....	71040
011	Drawer guide (set left/right).....	54681
012	Rubber profile 260mm.....	68070
013	Screw M4x8.....	71046
014	Inner panel, assembly	54625

SPARES LIST FOR CLUBMASTER

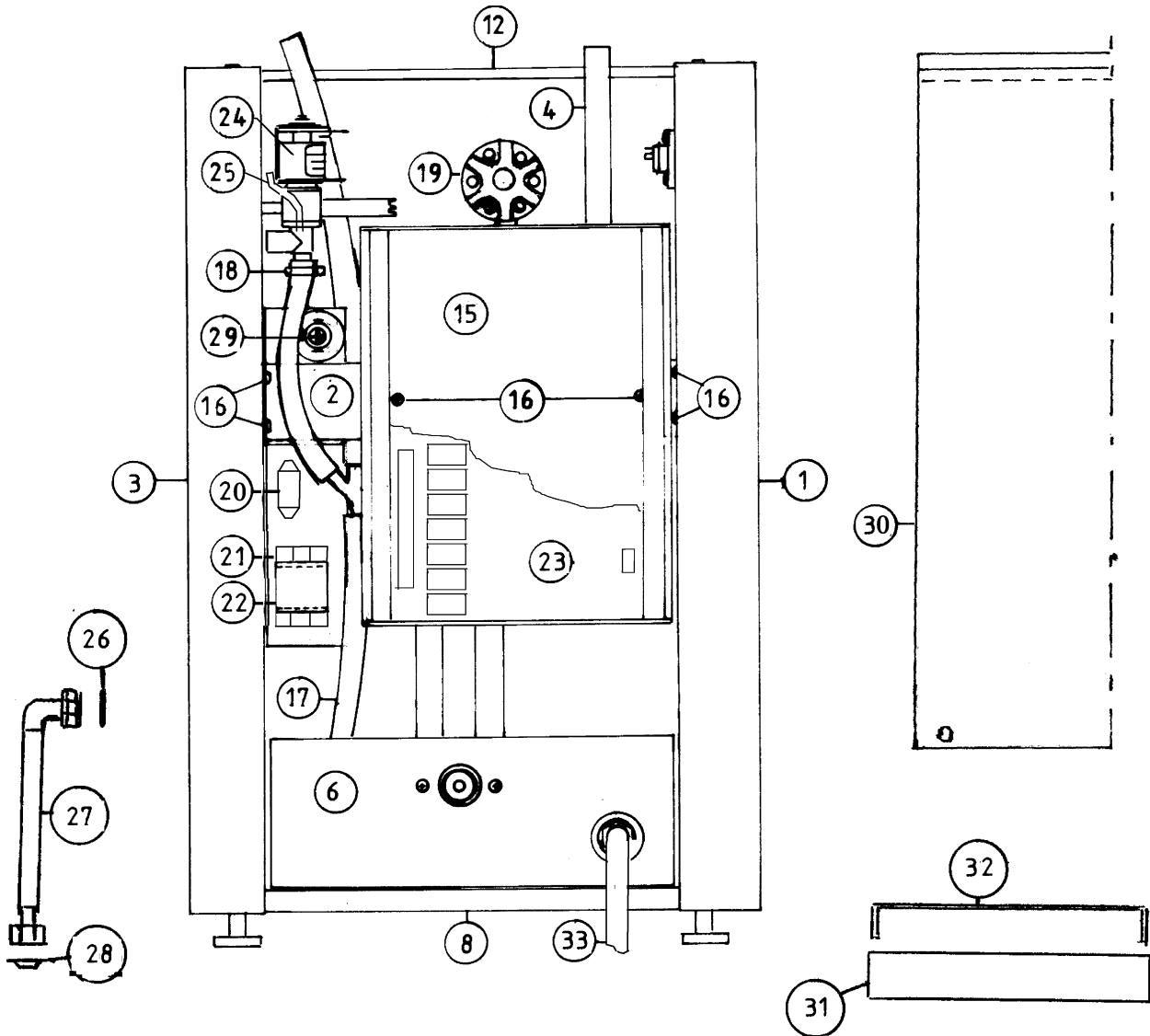
Lower section "front"



Item	Description	Code
001	Side panel left, assembly	54642
002	Fixing bracket print housing, assembly	54705
003	Side panel right, assembly	54648
004	Inlet tube assembly	60335
005	Diagonal right	54651
006	Fixation plate	54601
007	Diagonal left	54650
008	Bottomplate, assembly	54635
009	Recessed bolt M6x12	71200

SPARES LIST FOR CLUBMASTER

Lower section "rear"





the coffeemaker makers.

AMERONGEN - HOLLAND

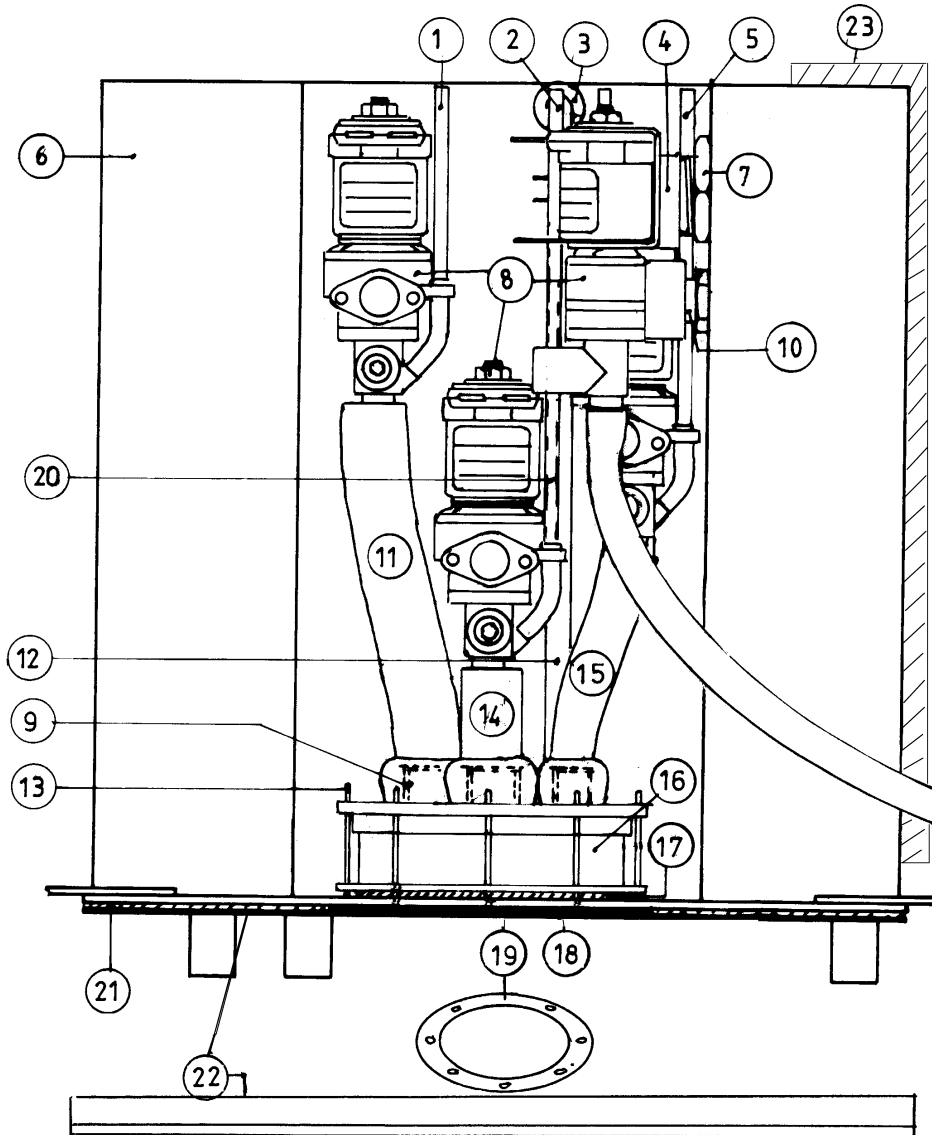
SPARES LIST FOR CLUBMASTER

Item	Description	Code
001	Side panel left.....	54642
002	Fixing bracket print housing	54700
003	Side panel right	54647
004	Inlet tube assembly	60335
006	Fixation plate	54601
008	Bottomplate	54630
012	Rubber profile.....	68070
015	Housing Printed Circuit Block.....	16105
016	Screw 3,5x9,5.....	70050
017	Outlet tube assembly.....	60325
018	Hose clamp 135-07	78505
019	Thermal cut-out.....	46350
020	Relay LY 2	88520
020	Relay LY 2	88520
021	Relay socket.....	88540
022	Relay 3 pole 15A	88530
023	Printed Circuit Board TEC 100	48000/A
024	Discharge valve "DRAIN"	88450
025	Silicon tube 300mm 6x3.....	60270
026	Rubber sealring	62360
027	Water hose	62350
028	Rubber sealring + strainer	62370
029	Pressure sensor	46300
030	Rear panel.....	54611
031	Drip tray.....	54870
032	Grid drip tray.....	54880
033	Flex coffeemaker 5x1,5.....	44190

SPARES LIST FOR CLUBMASTER

Water container "front", assembly

54725





the coffeemaker makers.

AMERONGEN - HOLLAND

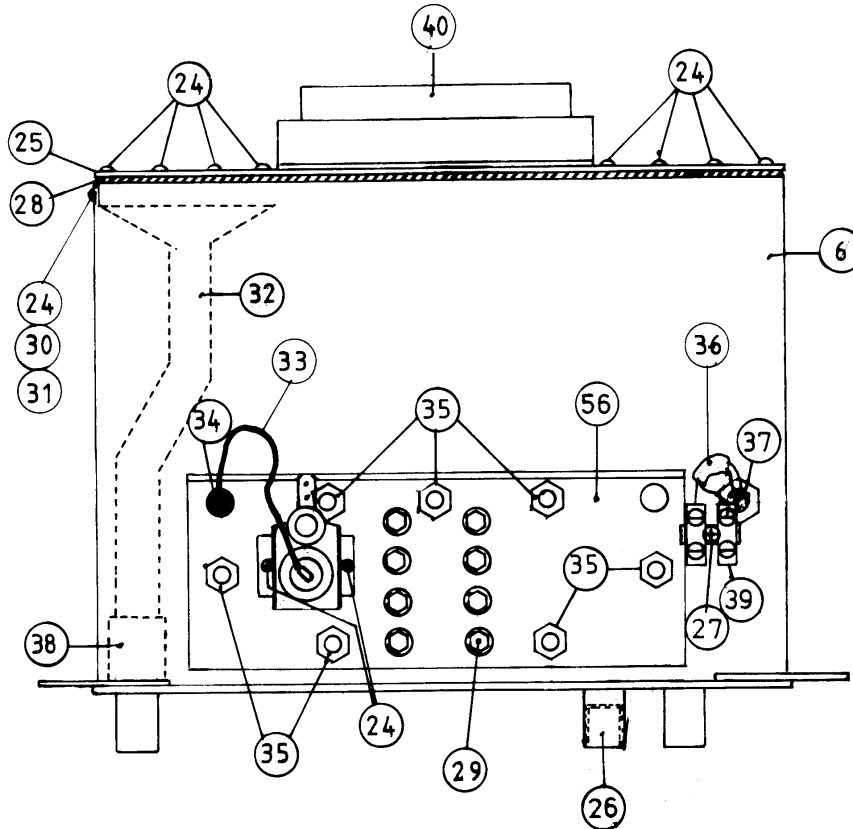
SPARES LIST FOR CLUBMASTER

Item	Description	Code
001	Breather tube 77mm	56721
002	Breather tube 157mm	56725
003	Grommet 8x1	62150
004	Fixing plate micro-switch.....	54151
005	Breather tube 117mm	56723
006	Watercontainer.....	54710
007	Nut PG 21, floatconnection	72040
008	Discharge valve.....	88450
009	Copper tube.....	51030
010	Mounting bush "Hot Water"	54271
011	Silicon tube 130mm.....	60285
012	Breather tube sprayhead.....	56700
013	Bolt M3x40, stainless steel.....	71120
014	Silicon tube 40mm.....	60275
015	Silicon tube 80mm.....	60280
016	Spray head	16225
017	"O"-ring 75,92x1,78	63290
018	Anti - condensation sheet.....	16200
019	Fixing ring, stainless steel	56120
020	Fiber glasse sleeve	46090
021	Cellular rubber strip, 500mm.....	63350
022	Decorative strip	54030
023	Insulation hood.....	13500

SPARES LIST FOR CLUBMASTER

Water container "rear", assembly

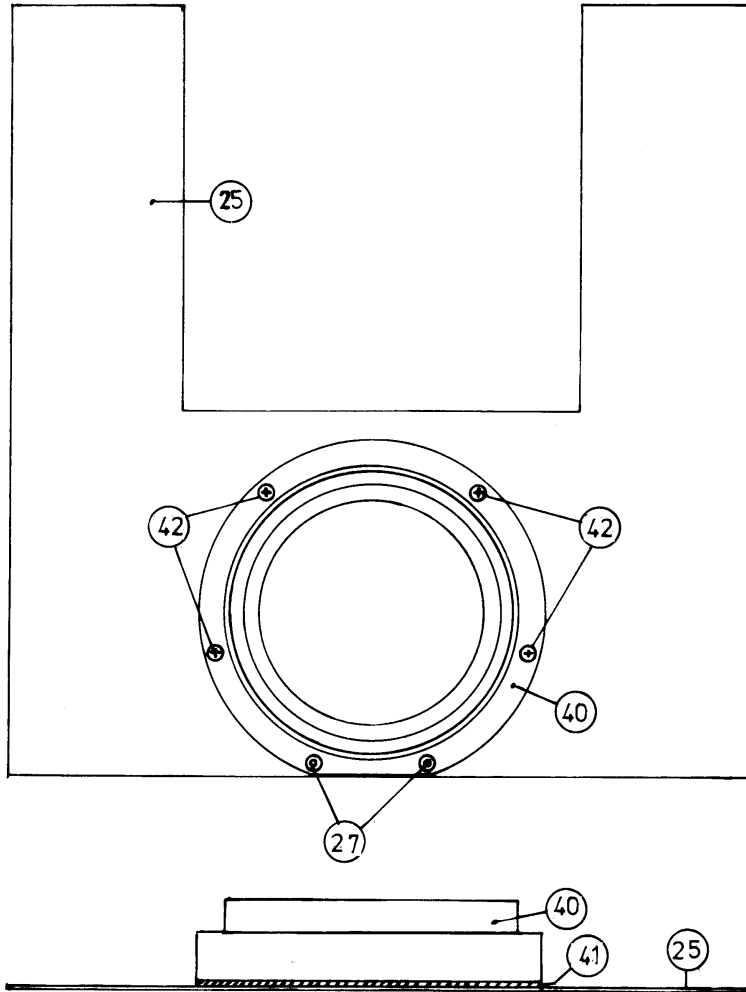
54725



Item	Description	Code
006	Watercontainer.....	54710
024	Bolt M3x6, stainless steel.....	71048
025	Lid water container, stainless steel	54720
026	Strainer.....	50130
027	Bolt M3x16, stainless steel.....	71105
028	Rubber sealing water container.....	60030
029	Heating element, 6000W/230V	45600
030	Sealing ring	63110
031	Nut M3, stainless steel	72026
032	Overflow funnel	54716
033	Thermostat 115°C.....	46220
034	Rubber closing pad	61100
035	Nut M6, stainless steel	72010
036	Rubber sleeve	46160
037	Temperature sensor.....	46310/A
038	Rubber tube 40mm	60290
039	Block terminal.....	46070
040	Filler opening	16250
056	Pressure element.....	54660

SPARES LIST FOR CLUBMASTER

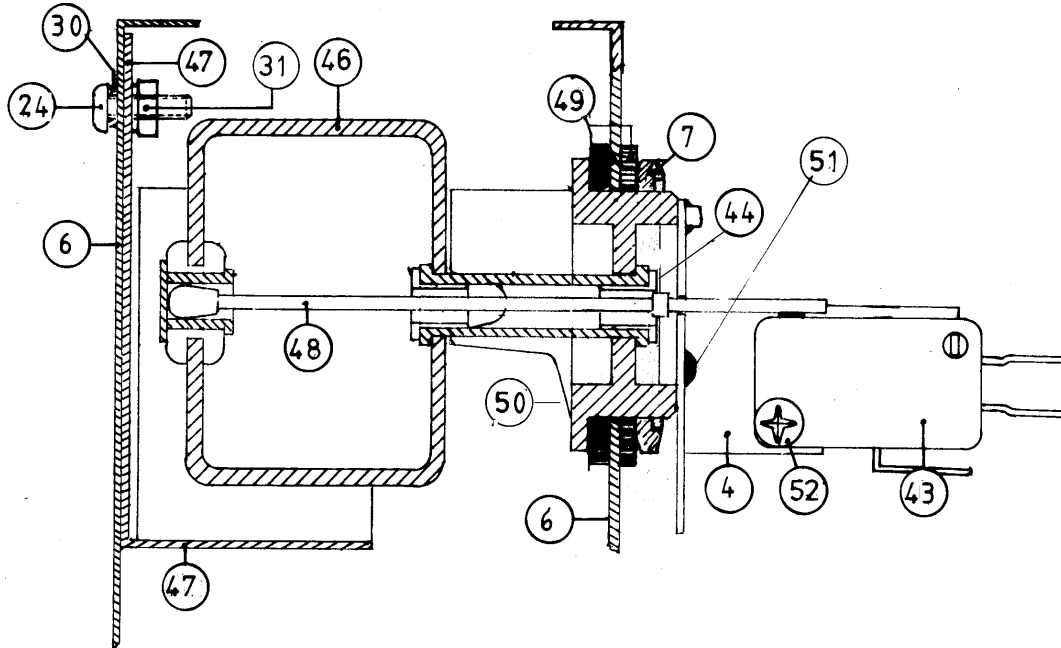
Lid Water container



Item	Description	Code
025	Lid water container, stainless steel	54720
027	Bolt M3x16, stainless steel	71105
040	Filler opening	16250
041	Sealing filler opening	60032
042	Bolt M3x12, stainless steel	71100

SPARES LIST FOR CLUBMASTER

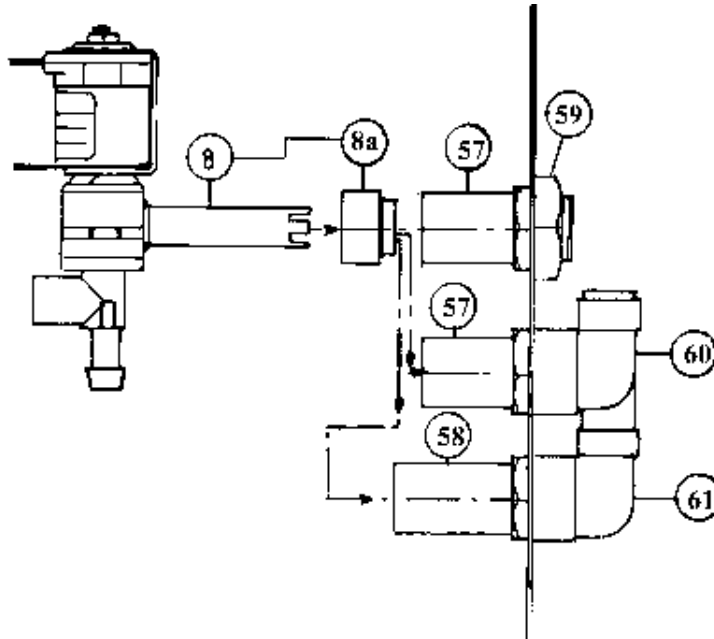
Water level control unit



Item	Description	Code
004	Fixing plate micro-switch	54151
006	Watercontainer	54710
007	Nut PG 21, floatconnection	72040
024	Bolt M3x6, stainless steel	71048
030	Sealing ring	63110
031	Nut M3, stainless steel	72026
043	Micro-switch	43360
044	Tightening socket	12220
046	Float	12245
047	Float housing	54711
048	Switching lever	54157
049	Rubber sealing float cnection	63370
050	Float connection	12110
051	Bolt 2,9x6,5	73050
052	Bolt M3x16	73000

SPARES LIST FOR CLUBMASTER

Discharge valve

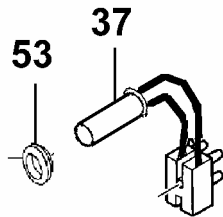


Item	Description	Code
008	Discharge valve.....	88450
008a	Rubber sealing discharge valve.....	60080
057	Mounting bush 5,4/7,2 ltr.....	54261
058	Mounting bush 3,6 ltr.....	54251
059	Nut ½" gaswire, stainless steel.....	72070
060	Knee ½", chromium.....	54841
061	Discharge pipe 3,6 ltr, chromium.....	54837

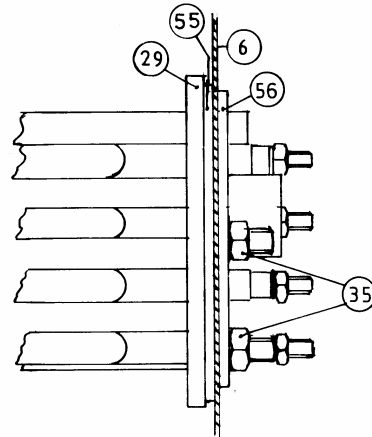
SPARE LIST FOR CLUBMASTER

Heating element/temp. sensor

TEMPERATURE SENSOR



HEATING ELEMENT

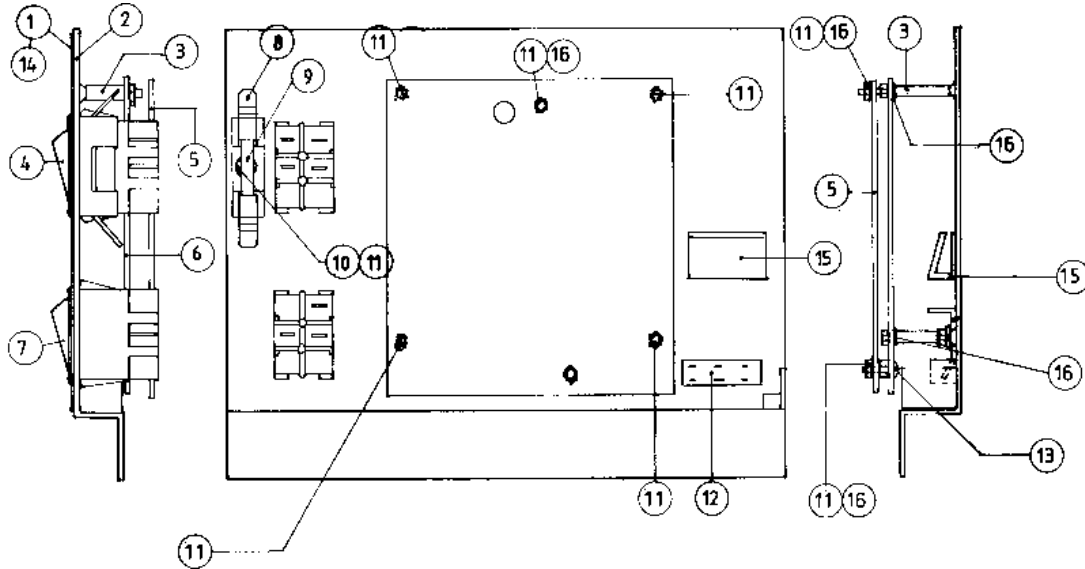


Item	Description	Code
006	Watercontainer	54710
029	Heating element 6000W/230V	45600
035	Nut M6, stainless steel.....	72010
037	Temperature sensor.....	46310/A
053	Grommet 10x13.....	62170
054	Nut M8x1, stainless steel	72060
055	Sealing rubber heating element.....	68100
056	Pressure element.....	54660

SPARES LIST FOR CLUBMASTER

Control panel, assembly

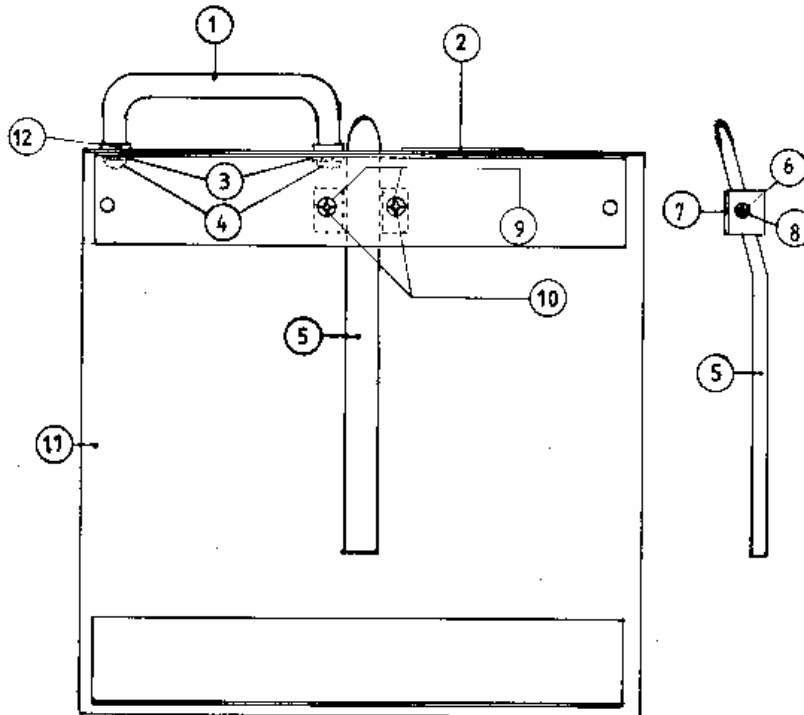
56105



Item	Description	Code
001	Membrane switch control panel	43800
002	Control panel including membrane switch	56102
003	Spacing bushes 3,5x15.....	16060
004	"On/Off" switch	43150
005	Cover PCB control panel.....	11300
006	PCB control panel TEC 110	47000
007	"Hot water" push button.....	43055
008	Fuse holder	51410
009	Fuse 6,3 A/250V.....	43550
010	Toothed washer.....	74015
011	Nut M3.....	72025
012	Switch "Descale"	43156
013	Bolt M3x12	71020
014	Instruction sheet.....	81400
015	Adhesive clip flat cable.....	75050
016	Washer 3mm.....	74000
	→ Control panel complete	56105
	Lid operation panel with lock	13301

SPARES LIST FOR CLUBMASTER

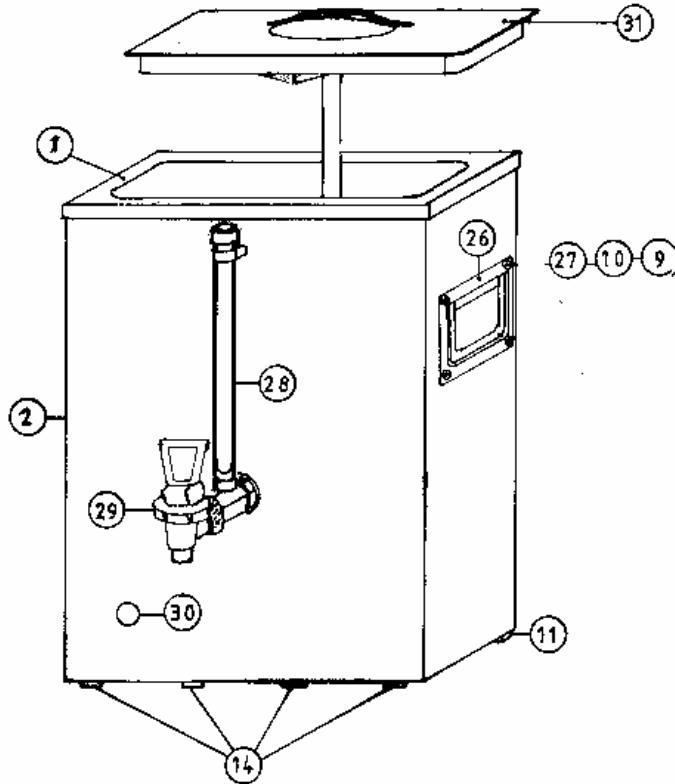
Drawer coffee container, assembly 54735



Item	Description	Code
001	Handle drawer.....	54691
002	Sticker "press lever".....	81470
003	Spring washer 4mm.....	74020
004	Bolt M4x10.....	71030
005	Lock, drawer.....	54729
006	Lock nut, M3.....	72300
007	Bracket, hinge drawer.....	54728
008	Bolt M3x25, stainless steel.....	71112
009	Spring washer 4mm, stainless steel.....	74022
010	Bolt M4x8, stainless steel.....	71046
011	Drawer coffee container.....	54730
012	Washer handle.....	54693
	→ Drawer complete.....	54735

SPARES LIST FOR CLUBMASTER

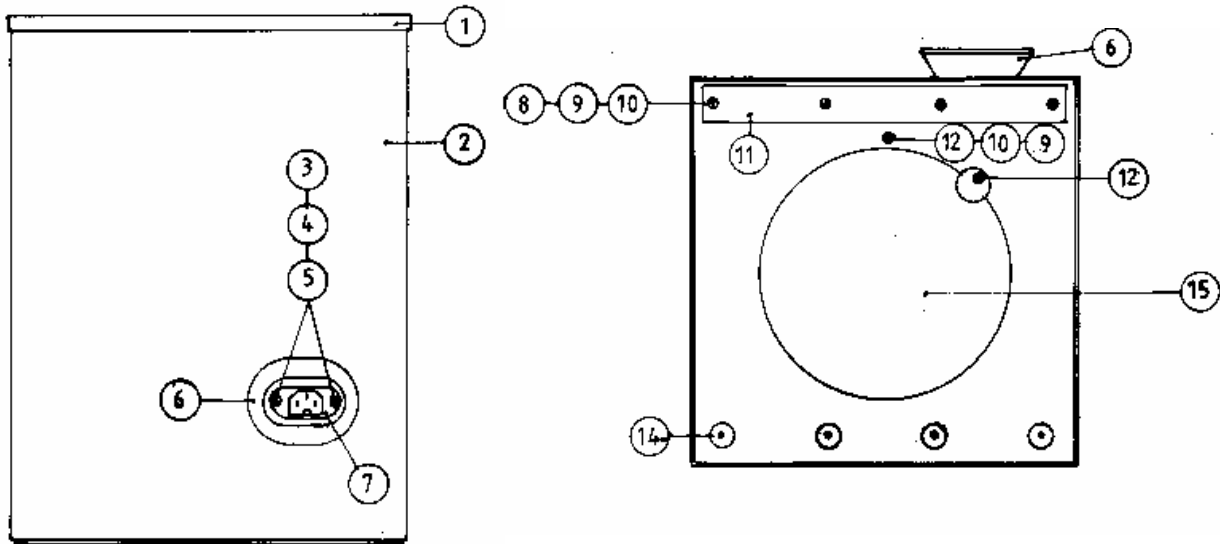
Coffee container, front



Item	Description	Code
001	Inner tank coffee container	54750
002	Outer casing coffee container	54760
009	Bolt M4x10, stainless steel	71040
010	Spring washer, 4mm	74020
011	Plastic strip	16155
014	Foot container	12340
026	Handle container	54780
027	Nut M4, stainless steel	72045
028	Gauge glass	33000
029	Tap	54950
031	Mixing lid	54770

SPARES LIST FOR CLUBMASTER

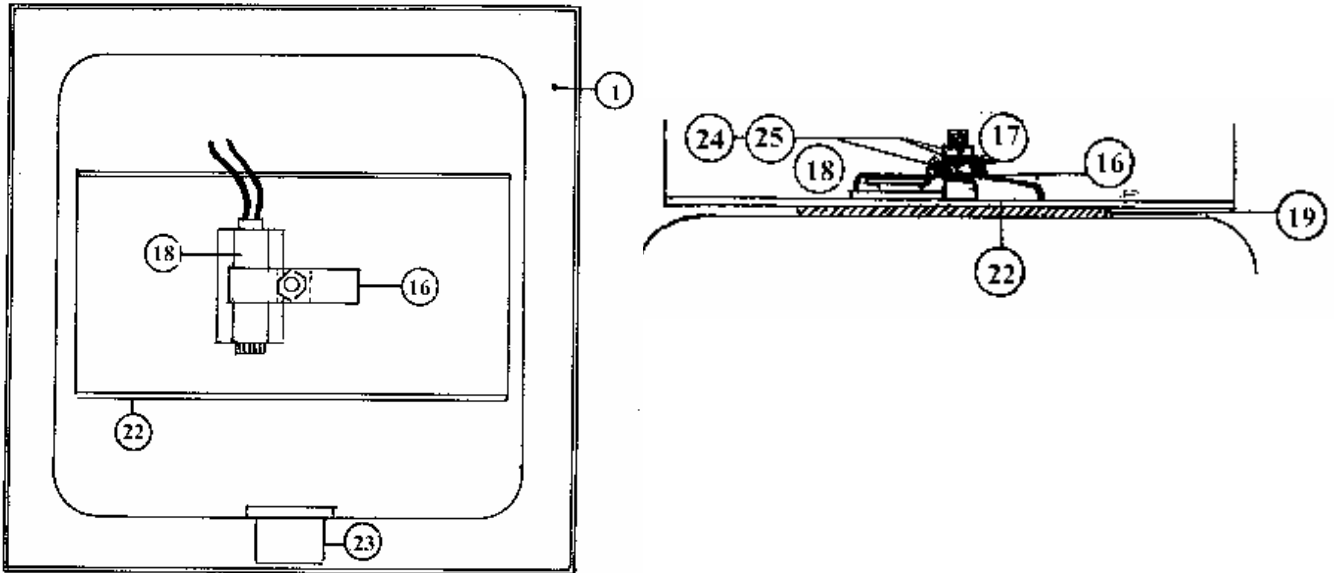
Coffee container, rear



Item	Description	Code
001	Inner tank coffee container	54750
002	Outer casing coffee container	54760
003	Bolt M3x12, stainless steel	71100
004	Toothed washer, 3mm	74015
005	Nut M3, stainless steel	72026
006	Protection connecting plug.....	68060
006	Protection connecting plug.....	68060
007	Connecting plug coffee container	46003
008	Bolt M4x 20, stainless steel	71036
010	Spring washer, 4mm	74020
011	Plastic strip	16155
014	Foot container	12340

SPARES LIST FOR CLUBMASTER

Inner tank

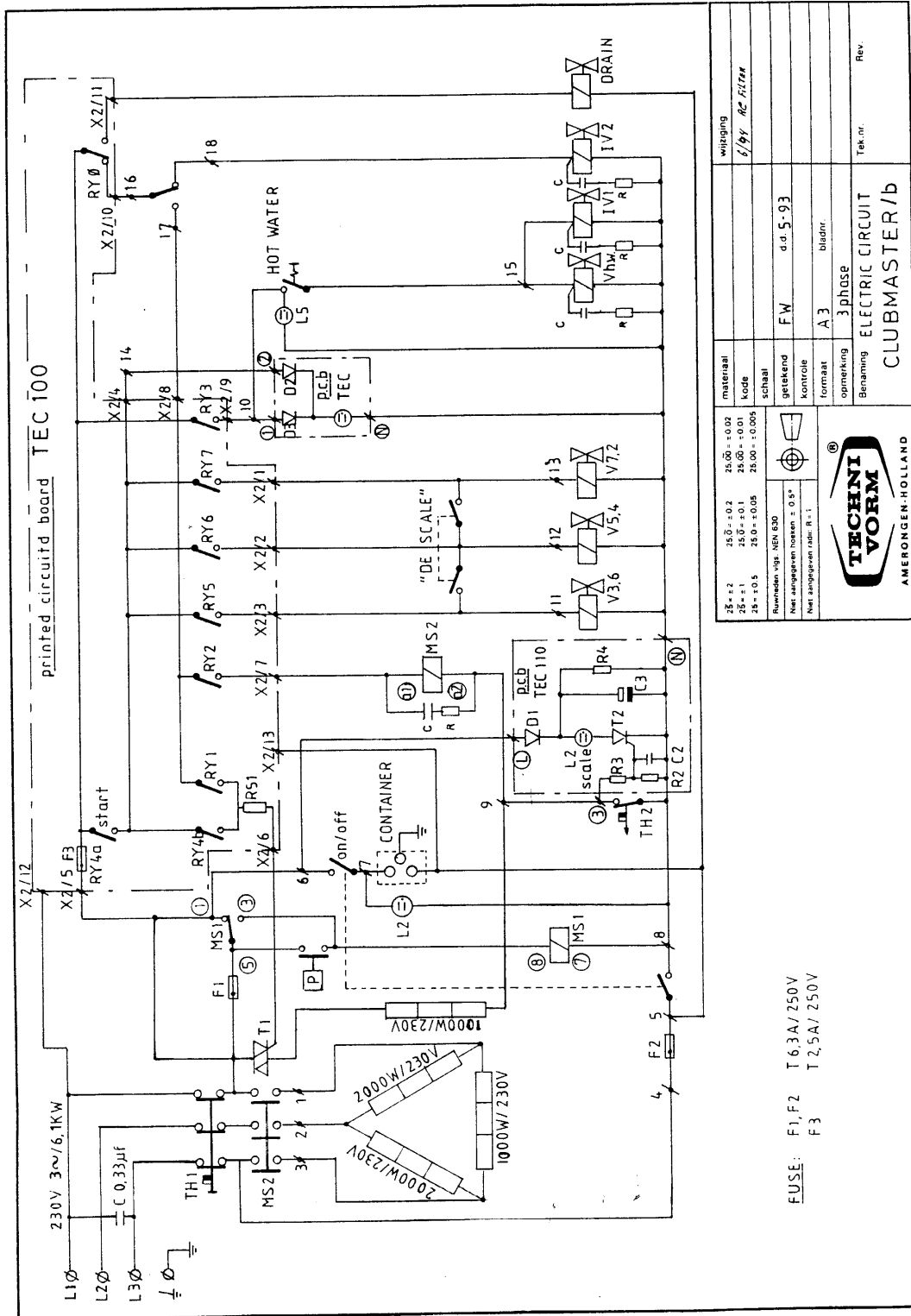


Item	Description	Code
001	Inner tank coffee container	54750
016	Tightening spring PTC element	56976
017	Earth cable clamb.....	78151
018	PTC heatingelement.....	41210
019	Isoplan disc	13500
022	Heating plate	55950
023	Lock shim ring	54910
024	Nut M6	72035
025	Toothed washer, 6mm.....	74025

Coffee container complete..... 54765

Flex container with plug EUR. 44245
 Flex container with plug UK..... 44246

ELECTRICAL DIAGRAM FOR CLUBMASTER/B

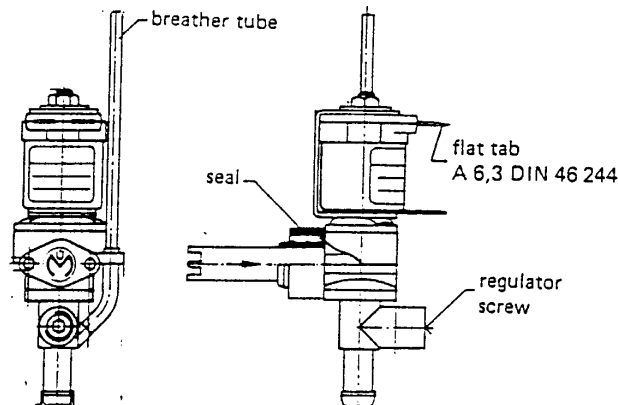


25 ± 0.2	25.00 ± 0.02	materiaal	wijziging
25 ± 0.1	25.00 ± 0.01	kode	1/4y AC F127K
25 ± 0.3	25.00 ± 0.05	schaal	
25 ± 0.5	25.00 ± 0.05	getekend	FW d.d. 5-93
		kontrole	
		formaat	A3
		opmerking	3 phase
		Benaming	ELECTRIC CIRCUIT
			CLUBMASTER/B
		Tek.nr.	Rev.

FUSE: F1, F2 T 6.3A / 250V
F3 T 2.5A / 250V

ADJUSTMENTS FOR CLUBMASTER

ADJUSTMENT NEW OUTLET VALVE



- Switch of the machine by means of the main switch, drain the machine by pressing the refresh button “R”.
- Disconnect the machine from the power supply and remove the old outlet valve.
- Remove breather tube from the old valve and insert the tube in the new valve.
- Install the new valve and turn the regulator screw fully clockwise.
- Turn the regulator screw counter clockwise:

3.6 lt. = $\frac{3}{4}$ turn

5.4 lt. = $1\frac{3}{4}$ turn

7.2 lt. = $4\frac{1}{2}$ turn

- Check the drain hose, ensure that the hose is not flattened or bent.
- Connect the machine to the power supply, and switch on the machine.
- Remove container and place measuring jug under the filterholder.
- Wait until the machine is ready to use, green signal lamp.
- Select the quantity of the new valve and press the start button “S”.
Switch the machine “OFF” after 1 min. by means of the main switch.
- Check the quantity in the jug:

3.6 lt. = ±	830 ml
5.4 lt. = ±	1245 ml
7.2 lt. = ±	1660 ml

Adjust the flow rated by turning the regulator screw, if necessary.

CLOCKWISE = LESS WATER COUNTER CLOCKWISE = MORE WATER

- Repeat procedure after making adjustments.

ADJUSTMENTS FOR CLUBMASTER

TIMER/TEMPERATURE ADJUSTMENTS

Adjustment water delivery time

Water delivery time is about 4 minutes and 20 seconds.

Adjustment is made on the printed circuit board TEC 100 by means of potentiometer **P1**

CLOCKWISE = “-“ TIME COUNTER CLOCKWISE = “+”TIME

Temperature adjustment

Temperature is adjusted at 96°C

Temperature can be adjusted between 92°C and 98°C by means of the knob on the housing of the printed circuit board.

On higher altitudes it is necessary to decrease temperature as indicated on the temperature/altitude scale

Temperature adjustments on the printed circuit board “TEC 100”

Temperature adjustment on the TEC 100 is made by potentiometer **P2** for minimum temperature and **P3** for maximum temperature.

CLOCKWISE = “+” TEMP. COUNTER CLOCKWISE = “-“ TEMP.

- Turn knob counter clockwise in position 92°C
- Remove cover of the housing
- Replace knob (screw up) and turn point in the position 96°C
- Turn P2 and P3 in the middle position
- Insert thermometer in the water container
- Start brewing 7,2 lt.
- When the brewing is finished, the water temperature is adjusted by means of P3 at 96°C
- Start brewing 7,2 lt.
- When the brewing is finished and the water reaches 92°C, P2 must be adjusted until relay M2 is switched off.
- Remove the knob in the position 92°C, replace the cover of the housing and fixed the knob in the position 92°C
- Turn the knob into the desired position

ADJUSTMENTS FOR CLUBMASTER

Adjustment brewing time indicator

Brewing timer is adjusted to $\pm 6\frac{1}{2}$ minutes

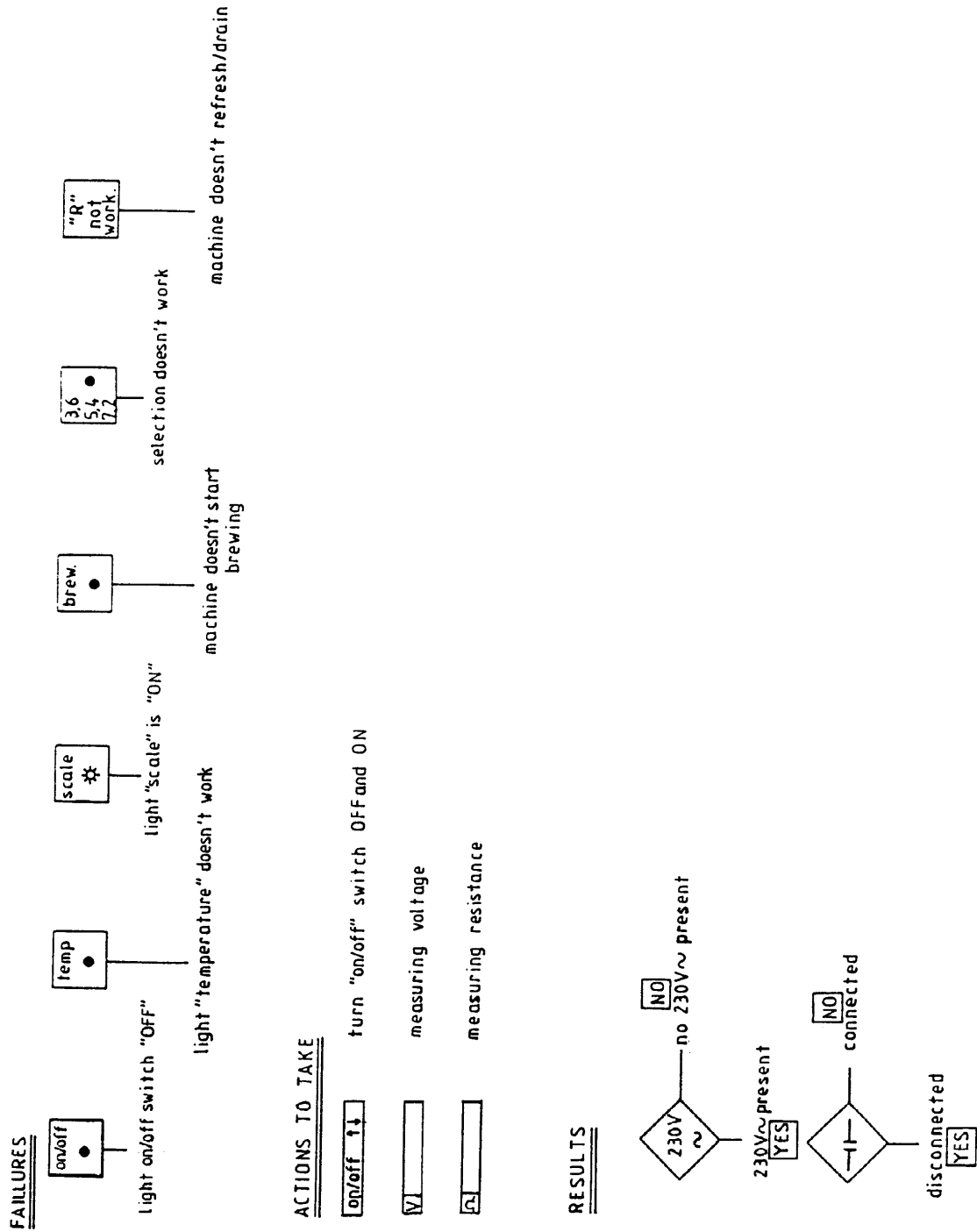
Time adjustment is made by potentiometer P1 on the printed circuit board "TEC 110", behind the control panel.

CLOCKWISE = "-“ TIME COUNTER CLOCKWISE = "+“ TIME

Adjustment pressure sensor

- Put the drain hose in a jug or bucket on the floor
- Turn pressure sensor completely clockwise
- Remove flatcable from the printed circuit board TEC 100
- As soon as the machine is producing steam in the jug (bucket), the pressure sensor is turned counter clockwise until the machine is switched off

Failures FOR CLUBMASTER



service announcement

Replacement for temperature sensor 46310

The temperature sensor 46310, with a brass housing, is replaced by another type sensor 46310/A with a stainless steel housing, starting with serial number 020503

The temperature sensor is used in Clubmaster

Old sensor (brass) : 46310	—————▶	New sensor (stainless steel) : 46310/A
Old PCB : 48000	—————▶	New PCB : 48000/A
Old sealing ring : 63250	—————▶	New sealing grommet : 62170

Attention:

When the old sensor must be replaced it is necessary to change also the printed circuit board 48000

The new sensor has a bigger diameter and another sealing, so the hotwatercontainer must be modified

Instruction :

1. Remove the nut (2), the old sensor (4) and the rubber sealing ring (3) from the container
2. Increase the diameter of the fixing hole to 12 mm by drilling a bigger hole
3. Insert the new rubber grommet (5) in the fixing hole.
4. Push the new sensor (6) through the grommet into the container
5. Connect the wires in the block terminal
6. Replace the old PCB 48000 by 48000/A

